

# TOWN OF SOUTHWEST RANCHES



## INVITATION FOR BIDS

### DYKES ROAD DRAINAGE AND WATER QUALITY PROJECT - REBID

IFB No. 18-003

Date: February 16, 2018

TOWN OFFICIALS

Doug McKay, Mayor

Freddy Fisikelli, Vice Mayor

Steve Breitkreuz, Council Member

Gary Jablonski, Council Member

Denise Schroeder, Council Member

Andrew D. Berns, Town Administrator

Russell Muñiz, Assistant Town Administrator/Town Clerk

Martin D. Sherwood, Town Financial Administrator

Keith M. Poliakoff, Town Attorney

TOWN OF SOUTHWEST RANCHES, FLORIDA  
DYKES ROAD DRAINAGE AND WATER QUALITY PROJECT - REBID  
IFB No. 18-003

---

**TABLE OF CONTENTS**

CONTRACT DATA.....	P. 4
PUBLIC NOTICE OF INVITATION FOR BID (IFB).....	P. 5
INSTRUCTIONS TO BIDDERS.....	P. 6
GENERAL CONDITIONS .....	P. 17
TENTATIVE SCHEDULE.....	P. 26

**DOCUMENTS TO BE SUBMITTED**  
**(PLEASE SUBMIT DOCUMENTS IN THE ORDER LISTED BELOW)**

---

BID SCHEDULE .....	P. 27
DRUG FREE WORKPLACE .....	P. 32
PUBLIC ENTITY CRIMES STATEMENT .....	P. 33
NON-COLLUSIVE AFFIDAVIT .....	P. 36
CERTIFICATE OF AUTHORITY, IF INDIVIDUAL OR SOLE PROPRIETOR .....	P. 38
CERTIFICATE OF AUTHORITY, IF CORPORATION OR LIMITED LIABILITY COMPANY.....	P. 39
CERTIFICATE OF AUTHORITY, IF PARTNERSHIP .....	P. 40
CERTIFICATE OF AUTHORITY, IF JOINT VENTURE .....	P. 41
BID BOND .....	P. 42
GOVERNMENTAL CONTACT INFORMATION .....	P. 44
ACKNOWLEDGEMENT OF CONFORMANCE WITH O. S. H. A. ....	P. 45
BIDDER CONFIRMATION OF QUALIFICATIONS .....	P. 46
BIDDER EXPERIENCE QUESTIONNAIRE....	P. 48
SUBCONTRACTOR LIST .....	P. 49
ACKNOWLEDGEMENT OF ADDENDA .....	P. 50
OUTSTANDING LIABILITY CLAIMS FORM .....	P. 51
W-9 FORM .....	P. 52
STATEMENT OF NO RESPONSE.....	P. 53

**EXHIBITS**

- EXHIBIT “A”** AGREEMENT FORM – TO BE EXECUTED AFTER AWARD OF CONTRACT
- EXHIBIT “B”** ITEM NOTES AND TECHNICAL SPECIFICATIONS
- EXHIBIT “C”** DRAWINGS AND/ OR SPECIFICATIONS PREPARED BY SOUTH BROWARD DRAINAGE DISTRICT
- EXHIBIT “D”** CALUSA CORNERS CANAL PROFILE
- EXHIBIT “E”** PLANTING PLAN
- EXHIBIT “F”** HORIZONTAL CONTROL PLAN
- APPENDIX – SOIL REPORT**

TOWN OF SOUTHWEST RANCHES, FLORIDA  
DYKES ROAD DRAINAGE AND WATER QUALITY PROJECT - REBID  
IFB No. 18-003

---

**CONTRACT DATA**

Contract Title: DYKES ROAD DRAINAGE AND WATER QUALITY PROJECT -  
REBID

Contract Number: IFB No.: 18-003

Contract Owner: Town of Southwest Ranches

Contract Address: 13400 Griffin Road  
Southwest Ranches, FL 33330

Owner's Representative: Andrew D. Berns, Town Administrator  
13400 Griffin Road  
Southwest Ranches, FL 33330  
Phone: 954-434-0008  
Fax: 954-434-1490

Designated Contract Manager:  
Rod Ley  
Town Engineer  
13400 Griffin Road  
Southwest Ranches, FL 33330  
Phone: 954-434-0008  
Fax: 954-434-1490

TOWN OF SOUTHWEST RANCHES, FLORIDA  
DYKES ROAD DRAINAGE AND WATER QUALITY PROJECT - REBID  
IFB No. 18-003

---

**Date: February 16, 2018**

**PUBLIC NOTICE OF INVITATION FOR BIDS (IFB)**

The Town of Southwest Ranches, Florida, hereinafter referred to as Town, will receive sealed Bids at the Office of Mara Semper, Town Procurement and Budget Officer, Town of Southwest Ranches, 13400 Griffin Road, Southwest Ranches, Florida, 33330 until 11:00 a.m., Monday, March 19, 2018 at which time they will be publicly opened and read for:

**“IFB No.: 18-003 DYKES ROAD DRAINAGE AND WATER QUALITY PROJECT - REBID”**

The project includes, but is not limited to, the furnishing of all labor, materials, tools, equipment, machinery, expertise, services, and all else necessary and reasonably inferable from the Contract Documents for proper construction and completion of the project consisting of excavation, construction of drainage pipe, construction of concrete drainage inlets with grates, associated erosion control measures, swale re-grading, street restoration, and installation of grass sod.

A **non-mandatory** Pre-Bid Meeting is scheduled for 11:00 a.m., Thursday, March 1, 2018 in the Southwest Ranches Grand Oaks conference room, 13400 Griffin Road, Southwest Ranches, FL 33330.

The awarded contractor will be required to execute a contract with the Town of Southwest Ranches in substantially the form attached hereto as Exhibit “A.”

Bids must be accompanied by a Cashier’s Check or Bid Bond made payable to the Town of Southwest Ranches in an amount not less than five percent (5%) of the base bid as a guarantee that in the event the contract is awarded to the Bidder, they will promptly enter into a contract, and furnish any Payment Bond and Performance Bond, and Insurance Certificates required by the terms of this Invitation for Bids. The return of Cashier’s Checks or other cash security to Bidders shall be subject to the time periods for payment in the Florida Prompt Payment Act, Section 287.70, *et seq.* It is anticipated that bids will be opened at 11:00 a.m. at the Southwest Ranches Town Hall located at 13400 Griffin Road, Southwest Ranches, FL 33330 on Monday, March 19, 2018. Any bid(s) delivered or received after 11:00 a.m. local time on said date will not be accepted under any circumstances. Any uncertainty regarding the time a bid is received will be resolved against the Bidder.

**In accordance with Florida Statutes, Section 119.071(1)(b)(2), bids are exempt from public disclosure until such time as the Town provides notice of an intended award or until 30 days after the opening, whichever is earlier.**

The Town reserves the right to reject all or any portions of any bid, to reject all bids, to waive any informality, non-material irregularity or technicality in any bid, to re-advertise for bids, or take any other such actions that may be deemed to be in the best interest of the Town.

Questions concerning this IFB should be sent via **facsimile** or **emailed** to:

Mara Semper, Procurement and Budget Officer

Phone: 954-434-0008

Fax Number: 954-434-1490

Email: [msemper@southwestranches.org](mailto:msemper@southwestranches.org)

## **INSTRUCTIONS TO BIDDERS**

The Town intends to award a contract to the lowest, responsive and responsible Bidder whose bid meets the requirements of this IFB, and in accordance with the Town's Procurement Code.

Bid packages can be obtained through DemandStar, downloaded from the Southwest Ranches website at: <http://www.southwestranches.org/procurement/> or by contacting Mara Semper by email at [msemper@southwestranches.org](mailto:msemper@southwestranches.org) or calling 954-343-7477.

### **1. COPIES OF SUBMISSION**

One **unbound original**, two (2) bound copies, and one compact disk of the entire Bid, Bid Form and required submittal documents in PDF format shall be submitted to the Town of Southwest Ranches at the office of Ms. Mara Semper, Procurement and Budget Officer, Town Hall, 13400 Griffin Road, Southwest Ranches, Florida 33330.

Sealed bids clearly marked **"IFB No.: 18-003 Dykes Road Drainage and Water Quality Project - Rebid"** must be received by the Procurement and Budget Officer either by mail or hand delivery, no later than **11:00 a.m. local time, Monday, March 19, 2018**. A public opening will take place at 11:00 a.m. in the Town's Grand Oaks conference room located at Town Hall on the same date.

The identity of the Bidders and respective total bid price shall be read aloud. However, neither the bids nor information set forth therein shall be made public until the time of a notice of an "Intended award" or 30 days from the Bid Opening, whichever is earlier, and in accordance with Florida Statutes, Chapter 119.

Facsimile or email submittals will not be accepted. Bids delivered or received after 11:00 a.m. local time on the above referenced date will not be accepted under any circumstances. Any uncertainty regarding the time a bid is delivered or received will be resolved against the Bidder.

### **2. ADDENDA OR ADDITIONAL INFORMATION**

Any questions or requests for clarifications concerning this IFB shall be submitted in writing by facsimile or E-mail and directed to Ms. Mara Semper, Procurement and Budget Officer, Town of Southwest Ranches, 13400 Griffin Road, Southwest Ranches FL, 33330; By Fax number (954) 434-1490; or E-mail address: [msemper@southwestranches.org](mailto:msemper@southwestranches.org). The IFB number and title shall be referenced on all correspondence and in the subject section of the email. **All questions must be received no later than seven (7) calendar days prior to the scheduled bid opening date but no later than noon on Monday, March 12, 2018**. All responses to questions/clarifications, if deemed necessary by the Town, will be posted on the Town Website at <http://www.southwestranches.org/procurement/> or through DemandStar. No questions will be received verbally, and/or, after the deadline. Bidders are hereby notified that a "Cone of Silence" is hereby imposed from the date of advertising and shall terminate at the time that the Town Council commences to meet for purposes of making a final decision regarding a Contract award. A Bidder who violates the Cone of Silence shall be subject to automatic disqualification from further consideration.

**3. SECURITY AND BONDING REQUIREMENTS:**

**i. BID SECURITY**

Simultaneous with the delivery of an executed Bid to the Town, Bidders shall furnish a Bid Security in an amount equal to five percent (5%) of the total base bid price. The Bid Security shall be issued in the form of a bond issued by a Surety authorized to transact business in the State of Florida, having an agent in the State of Florida, or in the form of Money Order or Cashier's payable to the Town of Southwest Ranches, Florida and drawn on a Florida Bank, or in the form of an irrevocable letter of credit. Bonds shall be submitted on the forms provided herein by the Town. Failure to supply Bid Security with the Bid at the time of Bid opening shall automatically disqualify the Bidder as non-responsive.

**ii. PERFORMANCE AND PAYMENT BONDS**

Simultaneous with the delivery of the executed contract form, the Contractor shall furnish to the Town executed Performance and Payment Bonds each in the amount equal to one hundred percent (100%) of the Contract value, as security for the faithful and timely performance of the Work under the Contract and for the payment of all persons furnishing labor, materials, services, and/or equipment in connection with the Work. The condition of this obligation is such that, if the Contractor shall promptly and faithfully perform said contract, make payments to all claimants (as defined by section 713.01, Florida Statutes) for all labor, materials, services, and equipment used directly or indirectly, or reasonably required for use, in the performance of the contract, and shall fully indemnify and save harmless the Town and its agents for all costs and damages it may suffer by reason of Contractor's failure to do so, then this obligation shall be null and void; otherwise it shall remain in full force and effect. Bonds shall be in a form acceptable to the Town and as prescribed by section 255.05, Florida Statutes.

**iii. QUALIFICATIONS OF SURETY**

Surety companies issuing Performance and Payment Bonds shall fulfill each of the following provisions, and the Bidder shall provide satisfactory evidence to document such fulfillment:

- A. The surety company is licensed to do business in the State of Florida.
- B. The surety company holds a currently valid certificate of authority authorizing it to write surety bonds in the State of Florida.
- C. The surety company has twice the minimum surplus and capital required by the Florida Insurance Code at the time that this Invitation for Bids was issued.
- D. The surety company is otherwise in compliance with the provision of the Florida Insurance Code.
- E. The surety company holds a currently valid certificate of authority issued by the United States Department of the Treasury under 31 U.S.C. § 9304-9308.
- F. Each bond shall contain all provisions required by §255.05, Florida Statutes.
- G. Each bond shall be issued by a Florida agent.

**iv. DURATION OF BONDS**

The Performance Bond shall guarantee all work and materials furnished under the Contract including losses resulting from defects in the materials or improper performance of Work under the Contract that may appear or be discovered during performance of the Work or during any applicable warranty period after completion of all Work, and for latent defects, during the time periods set forth in section 95.11(3)(c), Florida Statutes. The Payment Bond shall stay in effect until the time required by section

255.05, Florida Statutes, for the making of claims under such Bond, or when all claimants submitting valid claims have been paid, whichever is later.

**v. NON-COMPLIANCE**

An awarded Bidder's failure to timely deliver an executed Contract, and any Performance Bond, Payment Bond, and Insurance Certificates required by the terms of this Invitation for Bids, all in forms acceptable to the Town, shall result in the cancellation of any Contract and the Bidder's forfeiture of any and all bid securities.

**4. BIDDER WARRANTY**

Bidder warrants that the prices, terms and conditions quoted in the bid will be firm for a period of 90 days from the date of the bid opening. Incomplete, unresponsive, irresponsible, vague, and ambiguous responses to the Invitations for Bid will be cause for rejection, as determined in the sole discretion of the Town.

**5. GUARANTEES**

No guarantee or warranty is given or implied by the Town as to a minimum or total amount of services that may or may not be purchased from any resulting contract or award. The quantities and frequencies provided herein are for proposal purposes only and will be used for tabulation and presentation of the Proposal. The Town reserves the right to increase or decrease service quantities and frequencies, as deemed necessary to serve the best interests of the Town.

**6. BID WITHDRAWAL**

Any Bidder may withdraw its bid prior to opening of bids by providing a written notice to the Town. After bids are opened, they shall be irrevocable for a period of ninety (90) days. Bidders who unilaterally withdraw a bid without permission of the Town before 90 days have elapsed from the date of the opening of bids may be debarred and are subject to forfeiture of the Bid Security.

**7. CONE OF SILENCE**

A Cone of Silence is hereby imposed and made applicable to this IFB, and in accordance with the Town's Procurement Code. The Cone of Silence shall become effective from the time this IFB is advertised, and shall terminate at the time that the Town Council commences to meet for purposes of making a final decision regarding a Contract award, rejects all responses, or takes other action which ends the IFB process. During the effective time period of the Cone of Silence, any person or entity which submits a bid/response, or that will be subject to evaluation under the terms of this IFB, shall not have any communication with the members of the Town Council relative to this IFB, except as may be permitted or required during public meetings of the Town Council. **NOTE:** A Bidder who violates the Cone of Silence shall be subject to automatic disqualification from further consideration.

A "Cone of Silence" means a prohibition on any communication regarding a particular request for proposal, request for qualification or invitation to bid, and as set forth in the Town's Procurement Code.



**8. NOTICE TO PROCEED**

After execution of the Contract, the Town anticipates issuance of a Notice to Proceed or other written work authorization to the Contractor, or as otherwise set forth in the Contract. Contractor shall be required to attend a pre-construction meeting. The date, time and place of the meeting will be set by the Town. A Notice to Proceed may be issued at the pre-construction meeting.

Contractor shall be instructed to commence work by written instructions by the Town Administrator or his designee by issuance of a Notice to Proceed. The Notice(s) to Proceed will not be issued until Contractor submits to the Town all required bonds, insurance certificates and/or other documents and after execution of the Contract by both parties. The receipt of all necessary building and regulatory permits by Contractor, if any, is a condition precedent to the issuance of a Notice to Proceed. Contractor warrants to the Town that it shall expeditiously apply for all building permits and shall thereafter, diligently and continuously perform such Work to achieve Substantial Completion and Final Completion, within the times set forth in the Contract Documents, with time being of the essence. To the extent set forth in the Contract, the Town may, in its sole discretion and at its option, elect to impose liquidated damages or actual damages, whichever is greater, for failure to complete the Work within the time required.

Contractor shall furnish sufficient forces and equipment and shall Work such hours, including overtime operations, as may be necessary to timely perform the Work in accordance with the schedules submitted by Contractor to the Town for its approval. If Contractor falls behind the progress schedule, Contractor shall take such steps as may be necessary to improve its progress by increasing the number of shifts, overtime operations, and days of Work within the project limits as may be required, at no additional cost to the Town.

**9. EQUAL EMPLOYMENT OPPORTUNITY/COMPLIANCE WITH GRANT TERMS**

Contractor shall not discriminate against any employee or applicant for employment because of race, religion, age, color, sex or national origin, or physical or mental handicap, or marital status. Contractor shall take affirmative action to ensure that applicants are employed, and that employees are treated during their employment without regard to their race, religion, age, color, sex or national origin, or physical or mental handicap, or marital status. Such actions shall include, but not be limited to the following: employment, upgrading, demotion, or transfer, recruitment or recruitment advertising, layoff or termination, rates of pay or other forms of compensation; and selection for training, including apprenticeship.

Contractor agrees to post in conspicuous places available to employees and applicants for employment, notices setting forth the provisions of this nondiscrimination clause. Contractor further agrees that he/she will ensure that subcontractors, if any, will be made aware of and will comply with this nondiscrimination clause.

Additionally, to the extent that this Project is funded in whole or in part by any Federal, State, or local grant, the Contractor shall comply with any and all applicable grant terms or conditions, including South Florida Water Management District Grant and the South Broward Drainage District Grant. It is up to the Bidders to inquire and ascertain what grants/terms apply to this IFB.

**10. PUBLIC ENTITY CRIMES**

Pursuant to the provisions of section 287.133(2)(a), Florida Statutes -"A person or affiliate who has been placed on the convicted vendor list following a conviction for a public entity crime may not submit a bid on a contract to provide any goods or services to a public entity, may not submit a bid on a contract with a public entity for the construction or repair of a public building or public work, may not submit bids on leases of real property to a public entity, may not be awarded to perform work as a Contractor, supplier, subcontractor, or consultant under a contract with any public entity, and may not transact business with any public entity in excess of the threshold amount provided in Section 287.017, for Category Two for a period of 36 months from the date of being placed on the convicted vendor list".

**11. CONFLICT OF INTEREST**

The award of any Contract hereunder is subject to the provisions of Chapter 112, Florida State Statutes. Bidders must disclose with their Bids, the name of any officer, director, partner, associate, agent, Advisory Board member or client/customer who is also an officer, former officer, or employee of the Town of Southwest Ranches or its agencies.

**12. TAXES**

To the fullest extent provided by Florida law, Bidders should not include taxes in bid prices. The Town is exempt from Florida sales tax on direct purchases of tangible property or services.

**13. SUBMISSION OF BIDS**

It is the responsibility of the Bidder to ensure that the Bid reaches the Office of the Procurement and Budget Officer on or before the closing hour and date shown on the public notice of this Invitation for Bid. The Town is not responsible for the Bidder's costs associated with preparation of the bid or proposal.

**14. BID FORMS**

Bidders must use the Bid form(s) furnished by the Town. Failure to do so may cause the Bid to be rejected. Removal or replacement of any of the Bid documents may invalidate the Bid. Also, Bids having an erasure or corrections must be initialed by the Bidder in ink. Bids shall be signed in ink; and all pricing shall be typewritten or filled in with ink. A bid submission in pencil will not be accepted.

**15. MISTAKE**

If there is a discrepancy in the unit and extended prices, the calculated total price based on unit prices shall prevail. Bidders are responsible for checking their calculations. Failure to do so will be at the Bidder's risk, and errors will not release the Bidder from performance of the Contract, if awarded, at the Bid price.

**16. DELIVERY**

All delivery costs and charges for materials shall be included in the Bid price. Delivery shall be freight on board (F.O.B.) to the project site in the Town of Southwest Ranches, Florida.

**17. LIABILITY, INSURANCE, LICENSING & PERMITS**

Where a Contractor is required to enter onto the Town of Southwest Ranches property to deliver materials or to perform work or services as a result of a Bid award, the Contractor will assume the full duty, obligation, and expense of obtaining all necessary licenses, permits, inspections, and insurance required. The Contractor shall be liable for any damages or loss to the Town occasioned by negligence or intentional acts or omissions of the Bidder (or his agents) or any person or subcontractor the Bidder utilizes in the completion of his contract as a result of the Bid. Contractor shall be required to furnish a certified copy of all licenses, certificates of competency or other licensure requirements necessary to practice his profession as required by Florida Statutes, Florida Building Code, Broward County, or Town of Southwest Ranches Code. These documents shall be furnished to the Town along with the Bid response. Failure to furnish these documents or to have required licensure will be grounds for rejecting the Bid as non-responsive or otherwise.

The Bid shall include Certificate(s) of Insurance or written proof of the ability to provide the required insurance by an insurance company authorized to do business in the State of Florida or otherwise secured in a manner satisfactory to the Town in an amount equal to 100% of the requirements. Prior to award and in any event prior to commencing Work, the Successful Bidder/Proposer shall provide the Town with certified copies of all insurance policies providing coverage which meets the requirements as outlined below:

**A. WORKER'S COMPENSATION**

Worker's Compensation Insurance is to apply to all employees in compliance with the "Workers' Compensation Law" of the State of Florida and all applicable federal laws. Contractor shall carry Worker's Compensation Insurance with the statutory limits, as required by Florida Statutes, chapter 440, as amended, which shall include employer's liability insurance with a limit of not less than Five Hundred Thousand Dollars (\$500,000) for each accident, and Five Hundred Thousand Dollars (\$500,000) for each disease. Policy(ies) must be endorsed with waiver of subrogation against Town.

**B. BUSINESS AUTOMOBILE LIABILITY INSURANCE:**

Contractor shall carry business automobile liability insurance with minimum limits of One Million Dollars (\$1,000,000) per occurrence, combined single limits bodily injury liability and property damage. The policy must be no more restrictive than the latest edition of the business automobile liability policy without restrictive endorsements, as filed by the Insurance Services Office, and must include all owned vehicles and all hired or non-owned vehicles.

**C. COMMERCIAL GENERAL LIABILITY:**

Contractor shall carry Commercial General Liability Insurance with limits of not less than One Million Dollars (\$1,000,000) per occurrence combined single limit for bodily injury and property damage, and not less than Two Million Dollars (\$2,000,000) in the aggregate. The insurance policy must include coverage that is no more restrictive than the latest edition of the commercial general liability policy, without restrictive endorsements as filed by the Insurance Service Office (ISO), and the policy must include coverage's for premises and/or operations, independent contractors, products and/or completed operations for contracts, contractual liability, broad form contractual coverage, broad form property damage, and personal injury. Personal injury coverage shall include

coverage that has the employee and contractual exclusions removed. The ISO form of the policy must be acceptable to the Town.

**D. ENVIRONMENTAL POLLUTION INSURANCE:**

The Contractor shall carry an Environmental Pollution Insurance for pollution-related incidents, including the cost of cleaning up a site after a pollution incident, with limits not less than \$500,000.00 Dollars per occurrence with deductible not greater than \$100,000.00. An additional Form or endorsement to the Commercial General Liability Insurance to include an Environmental Pollution Insurance coverage providing the specified coverage, is acceptable.

**\*All insurance policies shall name and endorse the following as “Additional Named Insureds”:**

TOWN OF SOUTHWEST RANCHES  
Attn: Andrew D. Berns, Town Administrator.  
13400 Griffin Road.  
Southwest Ranches, FL 33330

**\*The additional named insured endorsement shall be reflected on the Certificate of Insurance.**

All insurance shall be issued by companies rated “A-” or better per A.M. Best's Key Rating Guide, latest edition and authorized to issue insurance in the State of Florida. It shall be the responsibility of the vendor and insurer to notify the Town Administrator of cancellation, lapse, or material modification of any insurance policies insuring the vendor, which relate to the activities of such vendor and the Town.

**Such notification shall be in writing, and shall be submitted to the Town Administrator within thirty (30) days prior to cancellation of such policies. This requirement shall be reflected on the Certificate of Insurance.**

Bidders are required to submit a list of claims presently outstanding and claims within the past ten (10) years against their liability coverage. This information must be listed on the form provided below and signed by the agent of the insurance carrier. If no outstanding claims exist, a statement of this fact must be signed by the agent of the insurance carrier.

Failure to fully and satisfactorily comply with the Town's insurance and bonding requirements set forth herein will authorize the Town Administrator to implement a rescission or cancellation of the Bid award within thirty (30) days of awarding. The Bidder hereby holds the Town harmless and agrees to indemnify Town and covenants not to file a Bid protest or sue the Town by virtue of such cancellation or rescission.

**18. AWARD OF CONTRACT**

The Town reserves the right to accept or reject any and/or all Bids or parts of bids, to waive any informality, irregularities or technicalities, to re-advertise for Bids, or take any other actions that may be deemed to be in the best interests of the Town. The Town also reserves the right to award the Contract on a split order basis, group by group, or item by item, or such combination as will best serve the interests of the Town,

unless otherwise stated. The Town also reserves the right to waive minor variations to the specifications. Final determination and award of Contract shall be made by the Town Council.

After opening of bids, the Town will look for any unbalanced bids to ensure that unit prices are within industry standards and that the Bidders are not charging excessive unit prices for those items the Town will utilize the most. The Town intends to award a Contract to the lowest, responsive and responsible Bidder in accordance with the terms of this IFB and the Town's Procurement Code.

In the award of a Contract pursuant to this IFB, the services shall be provided on a "non-exclusive" basis, and the Town may utilize the services of other vendors as may be deemed necessary at the Town's discretion.

**19. BID CONSIDERATIONS**

The Town, at its discretion, reserves the right to inspect any/all Bidder's facilities to determine their capability of meeting the requirements for this IFB and the Contract to be awarded. Also, price, responsibility, and responsiveness of the Bidder, including the financial position, experience, staffing, equipment, materials, and references of Contractor, and past history of service by Contractor to the Town and/or with other units of State, and/or Local governments in Florida, or comparable private entities, may be taken into consideration in the award of a Contract. If the project involves services or costs based upon a unit price or ongoing services, the Town reserves the right to reduce the level of service within its sole discretion.

**20. ASSIGNMENT**

This IFB and any Contract awarded pursuant hereto shall be binding upon and shall inure to the benefit of the Town and to any and all of its successors and assigns, whether by merger, consolidation, and transfer of substantially all assets or any similar transaction. Notwithstanding the foregoing, the Contract is personal to the Contractor, and Contractor may not, either directly or indirectly, assign its rights or delegate its obligations to Town hereunder without first obtaining the Town's consent in writing. Any such attempted assignment or delegation shall be deemed of no legal force and effect whatsoever.

**21. DISPUTES**

After an award of the Contract, disputes shall be resolved as set forth in the Contract form which is attached to this IFB. Any default under this IFB shall subject Bidder to liability for any and all damages to Town caused thereby. Bidder agrees to reimburse Town for all costs and expenses, including attorney's fees and costs, incurred by the Town by reason of such default whether or not suit is brought, and in any litigation commenced, at both the trial and appellate levels.

**22. CANCELLATION**

Failure on the part of the awarded Bidder to comply with the terms of this IFB and to execute and deliver any required Contract Documents, bonds, and insurance, will result in the cancellation or rescission of the award, and a forfeiture of the Bid security. In that event, the Town may proceed to award the Contract to the next lowest, responsive and responsible Bidder, or to re-advertise the project, and in its sole discretion whenever deemed in the best interests of the Town.

**23. RELATION TO PARTIES**

It is understood and agreed that nothing contained in this IFB or the Contract shall be deemed to create a partnership or joint venture with the Town. Contractor shall be in the relation of an independent contractor and is to have entire charge, control and supervision of the Work to be performed hereunder.

**24. COMPLIANCE WITH LAW**

Contractor shall comply with all applicable laws, regulations and ordinances of any Federal, State, or Local Governmental authority having jurisdiction with respect to this IFB and any Contract awarded and shall obtain and maintain any and all material permits, licenses, approvals and consents necessary for the lawful conduct of the activities contemplated hereunder.

**25. WAIVER OF LIABILITY**

The Town shall not in any way be answerable or accountable for any violations of applicable laws or for any injury, loss or damage arising from the negligence, acts or omissions of Contractor or any one of its employees, subcontractors or agents, or anyone else for whose actions Contractor may be responsible.

**26. INDEMNIFICATION**

To the fullest extent permitted by Florida law, including Florida Statutes, Section 725.06, the Contractor hereby agrees to and shall indemnify, defend and hold harmless the Town, its officers and employees, from liabilities, damages, losses, costs, and expenses including, but not limited to, reasonable attorney fees (at both the trial and appellate levels), to the extent caused by the negligence, recklessness, or intentional wrongful misconduct of the Contractor and persons employed or utilized by the Contractor in the performance of the Contract or anyone else for whose actions Contractor may be responsible, regardless of the partial fault of any party indemnified hereunder.

**27. SECONDARY/OTHER VENDORS**

The Town reserves the right in the event the primary vendor cannot provide an item(s) or service(s) in a timely manner as requested, to seek other sources without violating the intent of the this IFB or any Contract awarded.

**28. DEFAULT PROVISION**

In case of default by the Contractor, the Town may procure the articles or services from other sources and hold the Bidder or Contractor responsible for any excess costs occasioned or incurred thereby.

**29. GOVERNING LAW**

The validity of this IFB and any Contract awarded and the interpretation and performance of all of their respective terms shall be construed and enforced in accordance with the laws of the State of Florida, without regard to principles of conflict of laws thereof. The location of any action or proceeding commenced under, pursuant, or relating to this IFB or the Contract shall be in the State Courts of Florida located in Broward County, Florida.

**30. REMEDIES FOR BREACH**

Should the selected Contractor fail to perform after Contract execution, the Town shall notify Contractor in writing of such failure to perform and Contractor shall have fourteen (14) days to cure such failure or such shorter time as may be set forth in the Contract. If Contractor fails to cure, then the Town shall have the right to immediately terminate the Contract for cause. In that event, the Town shall also be free to sue Contractor for damages, in addition to any other right or remedy that it may have under the Contract, at law or in equity. Nothing herein shall be construed as precluding the Town's right to terminate the Contract for convenience, and as set forth in the Contract.

**31. WRITTEN CONTRACT**

The successful Bidder shall be required to enter into a written Contract with the Town, the Contract form shall be prepared by the Town, and shall incorporate the terms of this IFB, the accepted Bid, and include a termination for convenience clause, liquidated damages clause and other terms which may be required by the Town or its Procurement Code, and acceptable to the Town Council. The Contract shall be substantially in the form attached to this IFB. No Work shall be performed or payment due unless a written Contract is fully executed and has been approved by the Town Council. The successful Bidder further understands and agrees that before commencing the Work or before recommencing the Work after a default or abandonment, the Contractor shall provide to the Town a certified copy of the recorded Payment Bond required hereunder; and that notwithstanding the terms of the Contract or any other law governing prompt payment for construction services to the contrary, the Town shall not make any payment to the Contractor until the Contractor has recorded the Payment Bond and provided the Town with a certified copy, as required by section 255.05(1)(b), Florida Statutes.

**32. PUBLIC RECORDS LAW**

The Town is subject to Chapter 119, Florida Statutes, "Public Records Law." No claim of confidentiality or proprietary information in all or any portion of a response will be honored unless a specific exemption from the Public Law exists and is cited in the response. An incorrectly claimed exemption does not disqualify the firm, only the exemption claimed. Contractor acknowledges the public shall have access at all reasonable times, to all documents and information pertaining to Town's contracts, subject to the provisions of Chapter 119, Florida Statutes, and agrees to allow access by the Town and the public to all documents subject to disclosures under applicable law.

To the extent that Contractor has been provided access to or has received security sensitive information, as defined by Florida Statutes, Section 119.071 and/or has executed a Confidential Information Acknowledgement and Agreement as part of the IFB process, Contractor shall keep and maintain the security sensitive information as confidential and exempt from public disclosures as required by Florida Statutes.

Contractor agrees to keep and maintain public records required by the Town to perform the service in Contractor's possession or control in connection with Contractor's performance under this IFB and any Contract awarded, and upon the request from the Town's custodian of public records, to provide the Town with a copy of the requested records or allow the records to be inspected or copied within a reasonable amount of time at a cost that does not exceed the cost provided in Chapter 119 or as otherwise

provided by law. Contractor shall ensure that public records that are exempt or confidential and exempt from public records disclosure requirements are not disclosed except as authorized by law for the duration of the contract term and following completion of the Contract if the Contractor does not transfer the records to the Town.

Upon completion of the Contract, Contractor agrees, at no cost to Town, to transfer to the Town all public records in possession of the Contractor or keep and maintain public records required by the Town to perform the service. If the Contractor transfers all public records to the Town upon completion of the Contract, the Contractor shall destroy any duplicate public records that are exempt or confidential and exempt from public records disclosure requirements. If the Contractor keeps and maintains public records upon completion of the Contract, the contractor shall meet all applicable requirements for retaining public records. All records stored electronically must be provided to the Town, upon request from the Town's custodian of public records, in a format that is compatible with the information technology system of the Town.

Contractor's failure or refusal to comply with the provisions of this section shall result in the immediate termination for cause of the Contract by Town.

**IF THE CONTRACTOR HAS QUESTIONS REGARDING THE APPLICATION OF CHAPTER 119, FLORIDA STATUTES, TO THE CONTRACTOR'S DUTY TO PROVIDE PUBLIC RECORDS RELATING TO THIS CONTRACT, CONTACT THE CUSTODIAN OF PUBLIC RECORDS AT PHONE: (954) 434-0008; EMAIL: [RMUNIZ@SOUTHWESTRANCHES.ORG](mailto:RMUNIZ@SOUTHWESTRANCHES.ORG); RUSSELL MUNIZ, ASSISTANT TOWN ADMINISTRATOR/TOWN CLERK, TOWN OF SOUTHWEST RANCHES, 13400 GRIFFIN ROAD, SOUTHWEST RANCHES, FLORIDA, 33330.**

**[End of Section]**



## **GENERAL CONDITIONS**

### **A. DEFINITIONS**

**Contract**: The written agreement between Town and Bidder whose bid has been accepted, covering the Work to be performed, and which incorporates the other Contract Documents to be made a part thereof and as referenced therein.

**Addenda**: Written or graphic instruments issued prior to the opening of Bids which clarify, correct or change the bidding documents or the Contract Documents.

**Bid**: The offer or proposal of a Bidder submitted on the prescribed form(s) and including all information and submission required by the IFB.

**Bonds**: Bid, performance and payment bonds and other instruments of security.

**Change Order**: A document which is signed by Contractor and Town and authorizes an addition, deletion or revision in the Work, or an adjustment in the Contract Price or the Contract Time, issued on or after the Effective Date of the Contract.

**Construction Change Directive**: A document which is signed by the Town which directs the Contractor to proceed with revised or changed Work, where the Town and Contractor cannot agree on an adjustment in the Contract Price or the Contract Time, or both, issued on or after the Effective Date of the Contract. The subject of a Construction Change Directive may be the basis for a Change Order if later agreed to by the Town and Contractor.

**Contract Documents**: The Contract, Addenda (which pertain to the Contract Documents), Contractor's Bid (including documentation accompanying the Bid), the Bonds if required, these General Conditions, and any Drawings, Exhibits and Attachments referenced in this IFB, together with all amendments, modifications and supplements issued on or after the Effective Date of the Contract.

**Contract Price**: The monies payable by Town to the Contractor under the Contract Documents as stated in the Contract for the full and timely performance of the Work.

**Contractor**: The person, firm or corporation with whom Town has entered into the Contract with for performance of the Work.

**Day**: Shall mean calendar day, unless otherwise specified.

**Defective**: An adjective which when modifying the word Work refers to Work that is unsatisfactory, faulty, or deficient, or does not conform to the Contract Documents, or does not meet the requirements of any inspection, reference standard, applicable codes, test or approval referred to in the Contract Documents, or has been damaged prior to Town's final payment.

**Effective Date of the Contract**: The date indicated in the Contract on which it becomes effective, but if no such date is indicated it means the date on which the Contract is signed and delivered by the last of the two parties to sign and deliver, subject to formal acceptance by the Town Council.

**Final Completion**: This term shall mean that point at which, as certified in writing by the Town Engineer or other person designated in the Contract, the Project is at a level of final completion in strict compliance with the Contract, and that Contractor has furnished all Project-close out documentation including, but not limited to, final lien waivers from Contractor and all lower-tiered subcontractors and suppliers, written warranties and guarantees, written O&M Manuals, Record as-built drawings, all as required by the Contract Documents.

**Project:** The whole or any part of the total construction of the Work to be provided under this IFB and the Contract Documents.

**Substantial Completion:** This term shall mean that point at which, as certified in writing by the Town Engineer or other person designated in the Contract, the Project is at a level of completion in strict compliance with the Contract such that the Town or its designee can enjoy beneficial use or occupancy and can use or operate it in all respects, for its intended purpose, and as defined in the Contract Documents. However, partial use or occupancy of the Project shall not necessarily result in the Project being deemed substantially complete, and such partial use or occupancy shall not necessarily be evidence of Substantial Completion.

**Town:** The Town of Southwest Ranches, Florida.

**Work:** The entire completed construction or the various separately identifiable parts thereof required to be furnished under the Contract Documents. Work is the result of performing services, furnishing labor and furnishing and incorporating materials and equipment into the construction, all as required by the Contract Documents.

## **B. PRELIMINARY MATTERS**

### **Upon completion of Construction**

The Contractor shall notify and request Town for a substantial or final completion inspection. Payment to Contractor will be dependent upon satisfactory completion of the Work and in strict accordance with the Contract Documents.

## **C. CONTRACT DOCUMENTS**

The Contract Documents comprise the entire agreement between the Town and Contractor concerning the Work. Any Work, materials or equipment that may be reasonably inferred from the Contract Documents as being required to produce the intended result will be supplied whether or not specifically called for. Reference to standard specifications, manuals or codes of any technical society, organization or association, or to the Laws or Regulations of any governmental authority, or to any permits and conditions thereof, whether such reference by specific or by implication, shall mean the latest standard specification, manual, code or Laws or Regulations or permit in effect at the time of executing the Contract, except as may otherwise be specifically stated. Clarifications and interpretations of the Contract Documents may be issued by the Town.

If during the performance of the Work, Contractor finds a conflict, error or discrepancy in the Contract Documents, Contractor shall so report to the Town in writing at once, and shall obtain a written interpretation or clarification from the Town, before proceeding with the Work affected thereby. Failure to obtain such written interpretation or clarification before proceeding with the Work affected thereby shall result in a conclusive forfeiture and abandonment of any claim by Contractor for additional compensation or time, or both, which could have been avoided by such interpretation or clarification, and Contractor shall bear all costs associated with removal, replacement, correction, repair or restoration of such Work.

### **Amending and Supplementing Contract Documents**

The Contract Documents may be amended to provide for additions, deletions and revisions in the Work or to modify the terms and conditions thereof as outlined in this section, Item G – “Changes in the Work”, and pursuant to the Contract.

**D. PHYSICAL CONDITONS**

The Town shall furnish, as indicated in the Contract Documents, the lands upon which the Work is to be performed, including all applicable rights-of-way and easements. Contractor shall have full responsibility with respect to physical conditions in or relating to existing surface and subsurface structures. By submitting its Bid, Contractor represents that it has visited the Site and/or otherwise become generally familiar with such conditions, including any local conditions affecting the Work, and has accounted for same within its Bid.

Contractor shall, promptly after becoming aware and before performing any Work, notify the Town of any differing site conditions or conflicts at the site. The Town will review the pertinent conditions with respect to any deletions or revisions in the Work and any potential modifications to the terms and conditions as outlined in Section 2, Item G – “Changes in the Work”.

Contractor shall have full responsibility for reviewing and checking all information and data, for locating all Underground Facilities, for coordination of the Work with the owners of such Underground Facilities during construction, for the safety and protection thereof as provided in chapter 556, Florida Statutes, and repairing any damage thereto resulting from the Work, the cost of all of which will be considered as having been included in the Contract Price.

**E. INSURANCE AND BONDS**

Throughout the term of the Contract and for all applicable statutes of limitation periods, Contractor shall maintain in full force and effect all of the insurance coverages as set forth in the terms of this IFB. Also, the Contractor shall provide separate Payment and Performance Bonds for the Project that in all respects comply with (a) the requirements and forms set forth in Florida Statutes, Section 255.05 and (b) the terms of this IFB regarding the amount, duration and recording requirements.

**F. CONTRACTOR’S RESPONSIBILITIES**

Contractor shall supervise and direct the Work competently and efficiently, devoting such attention thereto and applying such skills and expertise as may be necessary to perform the Work in accordance with the Contract Documents. Contractor shall be solely responsible for the means, methods, techniques, sequences, procedures, and safety precautions necessary for construction. Contractor shall also be responsible to see that the finished Work strictly complies with the Contract Documents.

Contractor shall keep on the Project site at all times during the progress of the Work a competent resident superintendent and shall supply competent, suitably qualified personnel to perform construction as required by the Contract Documents. For purposes of communicating the Town’s needs, the resident superintendent must be able to read, write, and speak English. The President/Chief Operating Officer of the contracting firm must be available to attend meetings with the Town and/or its designee within 24 hours of notification.

The Contractor shall be responsible for initiating, maintaining and supervising all safety precautions and programs in connection with the Work and shall comply with all OSHA safety requirements while performing the Work. As a minimum, all personnel performing the work subject to this IFB and any Contract awarded will be required to wear safety equipment and clothing appropriate for the work, which may, for example, include Level 2 International Safety Equipment Association (ISEA) approved vests. Any personnel improperly prepared shall be dismissed until proper equipment is secured.

All debris removed from the Town must be legally disposed of according to the Town’s Code of Ordinances and in accordance with Local, State and Federal Regulations. Contractor hereby agrees to and shall indemnify, defend and hold harmless the Town, its officers and employees, from liabilities, damages, losses,

costs, and expenses, including, but not limited to, reasonable attorney's fees (at both the trial and appellate levels), to the extent caused by Contractor's improper disposal or site cleanup or failure to comply with any applicable environmental laws.

If the Bidder intends to use sub-contractors to perform any work pursuant to this IFB, these sub-contractors are subject to prior approval by Town. Contractor shall be fully responsible to Town for all acts and omissions of any sub-contractors, suppliers and other persons and organizations performing or furnishing any of the Work under a direct or indirect contract with Contractor just as Contractor is responsible for Contractor's own acts and omissions. Nothing in the Contract Documents shall create any contractual relationship between Town and any such sub-contractor, supplier or other person or organization, nor shall it create any obligation on the part of the Town to pay or see to payment of any monies due any such sub-contractor, supplier or other person or organization.

All Work shall be done according to local laws and ordinances and shall be performed during regular working hours. During the progress of the Work, Contractor shall keep the Project site and premises free from accumulations of waste materials, rubbish and other debris resulting from the Work. At the completion of the Work, Contractor shall remove all waste materials, rubbish and debris from and about the premises as well as all tools, construction equipment and machinery, and surplus materials and shall leave the site clean and ready for use by the Town. Contractor shall restore to original condition all property not designated for alteration by the Contract Documents.

Contractor shall take all necessary precautions for the safety of, and shall provide the necessary protection to prevent damage, injury or loss to other property at the Project site or adjacent thereto, including trees, shrubs, lawns, walks, pavements, roadways, structures, utilities and other items not designated for removal, relocation, replacement or improvement in the course of construction.

As set forth in the terms of this IFB, Contractor shall pay all sales, consumer, use and other similar taxes and should not include taxes in Bid prices. The Town is exempt from Florida sales tax on direct purchases of tangible property or services. Also, it is the responsibility of the Contractor to procure all necessary permits and licenses the cost of which shall be deemed included in the Bid price.

**G. CHANGES IN THE WORK**

Without invalidating the Contract and without notice to any surety, the Town may, at any time or from time to time, order additions, deletions or revisions in the Work; these will be authorized by a written Change Order or written Construction Change Directive. Upon receipt of a Change Order or written Construction Change Directive, Contractor shall promptly proceed with the Work involved which will be performed under the applicable conditions of the Contract Documents (except as otherwise specifically provided).

**Change Orders and Construction Change Directives**

The Town and Contractor shall execute appropriate Change Orders or Construction Change Directives covering changes in the Work which are ordered by the Town which may include: **1)** additions, deletions or revisions to the scope of services; **2)** acceptance of defective Work under this section, Item I – “Warranty and Guarantee, Correction, Removal or Acceptance of Defective Work”; or **3)** correcting defective Work under this section, Item I – “Warranty and Guarantee, Correction, Removal or Acceptance of Defective Work”.

**Surety**

If notice of any change affecting the general scope of the Work or the provisions of the Contract Documents is required by the provisions of any Bond to be given to a surety, the giving of any such notice will be Contractor's responsibility, and the amount of each applicable Bond may be adjusted accordingly.

**H. CHANGE IN THE CONTRACT PRICE OR CONTRACT TIME**

The Bid price constitutes the total compensation (subject to authorized adjustments) payable to the Contractor for the complete and timely performance of the Work. All duties, responsibilities and obligations assigned to or undertaken by Contractor shall be at his expense without change in the Contract Price or Contract Time.

Quantities shown in the Bid and Proposal Form are approximate only and are subject to either increase or decrease. The quantities indicated are estimated based on the scope of the project. Unless authorized by the Town by Change Order or Construction Change Directive, variation in the estimated quantities shall not be a basis for the Contractor to seek payment beyond the price stipulated in the Bid and Proposal Form and Contract.

**Change Order**

The Contract may only be changed by a Change Order approved by the Town. Any increase or decrease in the Contract Price or adjustment in the Contract Time shall be based on written notice by the Contractor delivered promptly to the Town (but in no event later than seven (7) days) after the acknowledgement or occurrence of the event giving rise to the claim and stating the general nature of the claim. Within fourteen (14) days thereafter, notice of the amount of the claim with all supporting data shall cover all amounts (direct, indirect and consequential) to which the claimant is entitled as a result of the occurrence of said event. All claims for adjustment in the Contract Price or Contract Time shall be determined by the Town. Contractor acknowledges and agrees that no claim for an adjustment in the Contract Price or Contract Time will be valid or enforceable if not submitted in strict accordance with this paragraph.

The value of any Work covered by a Change Order or of any claim for an increase or decrease in the Contract Price or Contract Time shall be determined by: 1) mutual acceptance of a lump sum (which may include an allowance for overhead and profit) or 2) by application of unit prices contained in the Contract Documents to the quantities of the items involved. The Town shall decide, in its sole discretion, whether to issue and agree to a Change Order, and verbal representations or instructions may not be relied upon by the Contractor.

**Unit Prices**

Where the Contract Documents provide that all or part of the Work is to be Unit Price Work, initially the Contract Price will be deemed to include for all Unit Price Work an amount equal to the sum of the established unit prices for each separately identified item times the estimated quantity of each item. The estimated quantities of items are not guaranteed.

Each unit price will be determined to include an amount considered by Contractor to be adequate to cover Contractor's overhead and profit for each separately identified item

**I. WARRANTY AND GUARANTEE; CORRECTION, REMOVAL OR ACCEPTANCE OF DEFECTIVE WORK**

In addition to any manufacturer’s warranties, Contractor warrants and guarantees to the Town that all work will be in strict accordance with the Contract Documents and will not be defective. All defective Work, whether or not in place, may be rejected, corrected or accepted as provided below.

**Owner May Stop the Work**

If the Work is defective or Contractor fails to supply sufficiently skilled workers or suitable materials or equipment, or fails to furnish or perform the Work in such a way that the completed Work will strictly conform to the Contract Documents, Town may order Contractor to stop the Work, or any portion thereof, until the cause for such order has been eliminated. However, this right of Town to stop the Work shall not give rise to any duty on the part of Town to exercise this right for the benefit of Contractor or any other party.

**Correction or Removal of Defective Work**

If required by Town, Contractor shall promptly, as directed and at its sole expense, either correct all defective Work, whether or not fabricated, installed or completed, or, if the Work has been rejected by Town, remove it from the site and replace it with non-defective Work. Contractor shall bear all direct, indirect and consequential costs of such correction or removal (including but not limited to fees and charges of engineers, architects, attorneys and other professionals) made necessary thereby.

**One Year Correction Period**

In the event any work is found to be defective within one year after the date of Final Completion, Contractor shall promptly, without cost to Town and in accordance with Town’s written instructions, either correct such defective Work, or, if it has been rejected by Town, remove it from the site and replace it with non-defective Work. If Contractor does not promptly comply with the terms of such instructions, or in an emergency where delay would cause serious risk of loss or damage, Town may have the defective Work corrected or the rejected Work removed and replaced, and all direct, indirect and consequential costs of such removal and replacement (including but not limited to fees and charges of engineers, architects, attorneys and other professionals) will be promptly paid by Contractor. Nothing in this IFB or the Contract shall be construed as a limitation on any right or remedy for breach of the Contract or defects in the Work. All rights set forth herein and in the Contract shall be deemed cumulative and in addition to any rights or remedies which may be afforded by Florida law.

**Acceptance of Defective Work**

If, instead of requiring correction or removal and replacement of defective Work, the Town prefers to accept it, the Town may do so. Contractor shall bear all direct, indirect and consequential costs attributable to Town’s evaluation of and determination to accept such defective Work (such costs to include but not be limited to fees and charges of engineers, architects, attorneys and other professionals).

If any such acceptance occurs prior to final payment, a Change Order will be issued incorporating the necessary revisions in the Contract Documents with respect to the Work; and Town shall be entitled to an appropriate decrease in Contract Price, and, if the parties are unable to agree as to the amount thereof, Town may make a claim therefore as provided in this section, Item H – “Change in the Contract Price or Contract Time”. If the acceptance occurs after final payment, an appropriate amount and consistent with the above will be paid by Contractor to Town promptly upon requests.

**Town may Correct Defective Work; Chapter 558, F.S. Not Applicable.**

If Contractor fails within a reasonable time, as determined by the Town, after written notice by the Town, to proceed to correct defective Work or to remove and replace rejected Work as required by Town, or if Contractor fails to perform the Work in strict accordance with the Contract Documents, or if Contractor fails to comply with any other provision of the Contract Documents, Town may, after seven (7) day's written notice to Contractor, correct and remedy any such deficiency. In exercising the rights and remedies under this paragraph Town shall proceed expeditiously. To the extent necessary to complete corrective and remedial action, Town may exclude Contractor from all or part of the site, take possession of all or part of the Work, suspend Contractor's services related thereto, and take possession of Contractor's tools, appliances, construction equipment, and machinery at the site and incorporate in the Work all materials and equipment stored at the site. Contractor shall allow Town and its representatives, agents and employees such access to the site and Contractor's tools, appliances, construction equipment and machinery as may be necessary to enable Town to exercise the rights and remedies under this paragraph. All direct, indirect and consequential costs of Town in exercising such rights and remedies will be charged against Contractor in a Change Order that incorporates the necessary revisions in the Contract Documents with respect to the Work; and Town shall be entitled to an appropriate decrease in the Contract Price. If the parties are unable to agree as to the amount of the decrease or amount due the Town, Town may make claim therefor as provided in this section, Item H – "Change in the Contract Price or Contract Time" against Contractor and its surety without prejudice to any other right or remedies available to Town and regardless of whether or not the Contract is terminated. Such direct, indirect and consequential costs will include but not be limited to fees and charges of engineers, architects, attorneys and other professionals, including paralegals, all court and arbitration costs and all costs of repair and replacement of work of others destroyed or damaged by correction, removal or replacement of Contractor's defective Work. Notwithstanding the requirements of any bond to the contrary, Contractor and its surety remain liable for all costs and charges in accordance with this paragraph regardless of whether Contractor is terminated.

**Chapter 558, F.S. Does Not Apply:** The Contractor and the Town understand and agree that chapter 558, Florida Statutes (Construction Defects), shall not apply to the Contract or claims, if any, by the Town arising out of or relating to this IFB or the Contract. The Contractor and the Town further hereby agree to "opt out" of the procedures set forth at chapter 558, Florida Statutes.

**J. PAYMENT**

The payment to Contractor is for all materials, labor, services, equipment and all else necessary or reasonably inferable to construct and fully complete the Work. The Work includes all accessories, appurtenances or other work required for completion of the Contract.

Contractor shall render all Work to the Town at the quoted prices stipulated in the Bid and Proposal Form and Town shall pay Contractor for the satisfactory and timely completion of the Work in strict accordance with the Contract Documents at said prices stipulated in Bid Proposal Form.

In no event shall Town be liable for any cost increases or price escalations associated with labor, services, materials, equipment, or any other charges that may arise during the performance of the Work, regardless of any delays in the Work, whether occasioned by Town or Contractor, or both. In the event the cost of the Work exceeds the amounts set forth and included in the Contract Price, Contractor shall pay such excess from its own funds and Town shall not be required to pay any part of such excess. The only exception shall be any adjustments to the Contract Price pursuant to any written Change Order duly executed by Town and Contractor in accordance with the terms and conditions of this IFB and the Contract, and with the same formality and of equal dignity associated with the original execution of the Contract.

TOWN OF SOUTHWEST RANCHES, FLORIDA  
DYKES ROAD DRAINAGE AND WATER QUALITY PROJECT - REBID  
IFB No. 18-003

---

Town and Contractor agree that payment under the Contract will be subject to (a) the delivery of an appropriate invoice or payment application by Contractor to Town, and (b) verification by Town that the Work is acceptable and has been performed in strict accordance with the Contract. Upon verification by Town that the invoiced Work has been satisfactorily performed in strict accordance with the Contract, Town shall have thirty (30) days thereafter to pay said invoice, or such undisputed portion as Town shall determine in its sole discretion.

The Town shall pay the Contract Price to the Contractor in accordance with the procedures set forth in chapter 218.70, Florida Statutes, "Local Government Prompt Payment Act." Progress payments may be submitted by Contractor to the Town for partial completion of the Work, but no more than once monthly, for the period ending at end of the month. Each payment request must be accompanied by all necessary supporting information and documentation. Subject to the provisions of section 218.735, Florida Statutes, each progress payment shall be reduced by ten (10) percent for retainage. The final retainage will be released after Final Completion of the Project, and after Town's receipt of acceptable reports and other Project-close out documentation required by the Contract Documents, including but not limited to certification of Contractor's payment to all lower-tiered subcontractors and suppliers providing labor, materials or services on the Project, but no earlier than 30 days of the Contractor's last progress payment request.

The Contractor's final payment request must be accompanied by written notice from Contractor that the entire Work has been completed in strict accordance with the Contract Documents. The Town will make a final inspection and notify Contractor in writing of all particulars in which this inspection reveals that the Work is incomplete or defective; provided however, that nothing herein shall waive or release claims for latent defects or the Contractor's obligations to correct defective work set forth hereinabove. Contractor shall immediately take such measures as are necessary to remedy such deficiencies. Contractor's obligation to perform and complete the Work in strict accordance with the Contract Documents shall be absolute. The Town may refuse payment if (a) the Work is defective or completed Work has been damaged requiring correction or replacement, (b) the Town has been required to correct defective Work or complete Work in accordance with Section I above, or (c) because claims have been made against the Town on account of Contractor's performance or furnishing of the Work or liens or claims have been filed in connection with the Work or there are other items entitling the Town to set-off against the amount due. No payment will be made for Work performed by the Contractor to replace defective work and for work which is not shown or ordered, and which is outside the limits shown or ordered, or additional work performed by Contractor without prior written approval of Town. Nothing herein shall be construed as authorizing or consenting to waive sovereign immunity or permitting liens to be asserted against the Town's property; provided however, that Contractor shall nonetheless be required to furnish partial and final releases of liens and other evidence as may be deemed acceptable by the Town to confirm that all lower-tiered subcontractors and suppliers on the Project have been paid.

**K. SUSPENSION OF WORK AND TERMINATION**

The Town may, at any time and without cause, suspend Work or any portion thereof for a period of not more than ninety (90) days by notice in writing to Contractor. Contractor shall resume work on a date so determined by the Town. Contractor shall not be allowed an increase in the Contract Price for any such suspension lasting not more than ninety (90) days. If, through no fault of Contractor, the Work is suspended for a period of more than ninety (90) days, then Contractor may, upon seven (7) days' written notice to the Town, terminate the Contract and recover from the Town payment for all Work properly executed up to the date of the notice to the Town including reasonable overhead and profit thereon except as otherwise limited by this IFB or the Contract; provided however, that in no event shall Town be liable for consequential damages, including but not limited to, lost profits on Work not yet performed. The Town may terminate all



Work if Contractor violates in any substantial way any provisions of the Contract Documents. In such case, the Town may, after giving Contractor written notice pursuant to the Contract, terminate the services of the Contractor, exclude Contractor from the site, take possession of the Work including Contractor's tools, appliances, construction equipment and machinery, and finish the Work as the Town may deem expedient under the circumstances. In such case, Contractor shall not be entitled to receive any further payment until the Work is finished. If such costs of completing the Work (including correction of defective Work) exceed such unpaid balance, Contractor shall promptly pay the difference to the Town. When exercising any rights or remedies under this paragraph the Town shall not be required to obtain the lowest price for the Work performed, nor obtain competitive bids for the Work except as may otherwise be required by Florida law.

Where Contractor's services have been terminated by the Town, the termination will not affect any rights or remedies of the Town against Contractor or any surety then existing or which may thereafter accrue. Any payment of monies due Contractor by the Town will not release the Contractor from liability for defective Work or otherwise and such payment shall not be evidence of acceptance of any defective Work.

Upon written notice to Contractor, the Town may, without cause and without prejudice to any other right or remedy, elect to abandon the Work and terminate the Contract for the convenience of Town. In such case, Contractor shall be paid for all Work executed and any direct and reasonable expense sustained up to the date of receipt of the written notice. In no event shall Town be liable for consequential damages, including but not limited to, lost profits on Work not yet performed.

**L. EQUIPMENT**

All equipment shall be maintained in an efficient and safe operating condition while performing Work under the Contract. Equipment shall have all proper safety devices required by law, properly maintained and in use at all times. If equipment does not contain proper safety devices and/or is being operated in an unsafe manner, the Town may direct the Contractor to remove such equipment and/or the operator until the deficiency is corrected; provided however, that nothing in this paragraph shall create a duty by the Town to Contractor or anyone else to exercise this right. The Contractor shall be solely responsible and liable for injury to persons, and/or property damage caused by performance of the Work and operation of the equipment.

**M. EQUIPMENT STORAGE AND MOBILIZATION**

The Contractor must be fully capable of servicing the Town's needs and providing all of the materials and equipment to fulfill the requirements of the Contract Documents, and shall be responsible for the storage of all materials and equipment at Contractor's sole expense. Storage shall not be permitted at any of the sites specified herein or at/on any other Town properties.

**N. HOURS OF OPERATION**

The Contractor shall perform work Monday through Friday, except Holidays, between 7:00 a.m. and 5:00 p.m.

**O. CONTRACTOR'S PERFORMANCE**

The Contractor shall commence the performance of the Work identified in the Notice to Proceed or other written authorization on the effective date of the Notice to Proceed and shall diligently and continuously prosecute its performance to and until Substantial Completion and Final Completion of the Work. The Contractor shall accomplish Substantial Completion and Final Completion of each assigned task within the allotted calendar days indicated in the Notice to Proceed.

**TENTATIVE SCHEDULE OF EVENTS**

The **tentative schedule** of events relative to this procurement shall be as follows. Town reserves the right to modify the tentative dates.

<b><u>Event</u></b>	<b><u>Date</u></b>
1. Issuance of Invitation for Bids	Friday, February 16, 2018
2. Non Mandatory Pre-Bid Meeting	Thursday, March 1, 2018 @ 11:00 a.m.
3. Deadline for Request for Clarification	Monday, March 12, 2018 @ 12:00 noon
4. Bids Due / Opening of Bids	Monday, March 19, 2018 @ 11:00 a.m.
5. Completion of Bid Evaluations	TBD
6. Award of Contract (Town Council Action)	TBD
7. Pre-Construction Meeting	TBD
8. Issue Notice to Proceed (NTP)	TBD
9. Substantial Completion of Project	150 Calendar Days after NTP
10. Final Completion of Project	180 Calendar Days after NTP

**[Remainder of page intentionally left blank]**

TOWN OF SOUTHWEST RANCHES, FLORIDA  
DYKES ROAD DRAINAGE AND WATER QUALITY PROJECT - REBID  
IFB No. 18-003

---

**BID SCHEDULE**

The undersigned hereby proposes to furnish all labor, equipment and materials necessary to complete the work in strict accordance with the Contract Documents, schedules and plans, and all addenda, if issued, for the lump sum price shown below.

**BASE BID – PHASE I**

<u>Item No.</u>	<u>Item</u>	<u>Unit</u>	<u>Qty</u>	<u>Unit Price</u>	<u>Price</u>
1.	General Conditions	LS	1	\$_____	\$_____
2.	Mobilization	LS	1	\$_____	\$_____
3.	Strip and Stockpile Muck	CY	6,765	\$_____	\$_____
4.	Excavate and Grade Canal	CY	4,700	\$_____	\$_____
5.	Excavate and Grade Filter Marsh Area	CY	5,000	\$_____	\$_____
6.	Install Twin 48" RCP	LF	32	\$_____	\$_____
7.	Install 24" HDPE	LF	122	\$_____	\$_____
8.	Install FabricForm Revetment Headwall	EA	1	\$_____	\$_____
9.	Remove Exist. Structure and Install 5' Diameter Drainage Inlet	EA	1	\$_____	\$_____
10.	Install 5' Diameter Manhole w/ PRB	EA	1	\$_____	\$_____
11.	Install 48" Plug	EA	2	\$_____	\$_____
12.	Construct Roadside Swale	LF	690	\$_____	\$_____
13.	Construct 50-Foot Berm	LF	690	\$_____	\$_____
14.	Remove Clean Fill From Site	CY	8,500	\$_____	\$_____

TOWN OF SOUTHWEST RANCHES, FLORIDA  
DYKES ROAD DRAINAGE AND WATER QUALITY PROJECT - REBID  
IFB No. 18-003

---

15.	Restoration	LS	1	\$ _____	\$ _____
16.	Erosion/Pollution Control	LS	1	\$ _____	\$ _____
17.	Maintenance of Traffic	LS	1	\$ _____	\$ _____

**Total Lump Sum Base Bid Price**     \$ \_\_\_\_\_

18.	Allowance Item for Utility Relocation	LS	1		\$ <u>5,000.00</u>
-----	--	----	---	--	--------------------

**Total Lump Sum Price for Base Bid Price  
plus Allowance Item (\$5,000)**     \$ \_\_\_\_\_

**ALTERNATE BID I – FILTER MARSH PLANTING**

Filter Marsh Planting	LS	1	\$ _____	\$ _____
-----------------------	----	---	----------	----------

TOWN OF SOUTHWEST RANCHES, FLORIDA  
 DYKES ROAD DRAINAGE AND WATER QUALITY PROJECT - REBID  
 IFB No. 18-003

---

**ALTERNATE BID II- PHASE II**

<u>Item No.</u>	<u>Item</u>	<u>Unit</u>	<u>Qty</u>	<u>Unit Price</u>	<u>Price</u>
1.	Strip and Stockpile Muck	CY	1,500	\$ _____	\$ _____
2.	Excavate and Grade Canal	CY	1,400	\$ _____	\$ _____
3.	Grading	LS	1	\$ _____	\$ _____
4.	Install Twin 48" RCP	LF	80	\$ _____	\$ _____
5.	Install Conc. Headwall for Twin 48" RCP	EA	4	\$ _____	\$ _____
6.	Install 48" Flap Gate	EA	2	\$ _____	\$ _____
7.	Install Guardrail	LF	240	\$ _____	\$ _____
8.	Install Type CRT End Anchors	EA	8	\$ _____	\$ _____
9.	Construct 50-Foot Berm	LF	275	\$ _____	\$ _____
10.	Remove Clean Fill From Site	CY	700	\$ _____	\$ _____
11.	Restoration	LS	1	\$ _____	\$ _____
12.	Erosion/Pollution Control	LS	1	\$ _____	\$ _____
13.	Maintenance of Traffic	LS	1	\$ _____	\$ _____

**Total Lump Sum Alternate Base Bid Price**      \$ \_\_\_\_\_

**Total Lump Sum Base Bid Price plus Allowance Item (\$5,000)  
 Plus Alternate Bids I and II Price**      \$ \_\_\_\_\_

TOWN OF SOUTHWEST RANCHES, FLORIDA  
DYKES ROAD DRAINAGE AND WATER QUALITY PROJECT - REBID  
IFB No. 18-003

---

The quantities indicated in the Bid and Proposal Forms are estimates of the work. The Town does not guarantee the quantities shown on the bid form. Bidder/Proposer shall refer to the Contract Documents, exhibits and specifications for additional information.

The Substantial Completion of the Project shall occur no later than **one hundred and fifty (150) calendar days** from date of issuance of the Notice to Proceed, and Final Completion shall occur no later than **one hundred and eighty (180) calendar days** from date of issuance of the Notice to Proceed.

The undersigned, as Bidder, hereby declares that the only person or persons interested in the bid as Principal or Principals is/are named herein and that no other person than herein mentioned has any interest in this Bid or in the Contract to be entered into; that this Bid is made without connection with any other person, company or parties making a bid or proposal; and that it is in all respects fair and in good faith without collusion or fraud.

The Bidder shall furnish prices for all Bid items. Failure to do so may render the Bid invalid and cause its rejection. Also, evidence that the Bidder holds appropriate licenses to perform the Work which is the subject of this Bid, and as required by Florida Statutes and Local law, must be submitted along with the Bid. Bidders must also have the insurances and any applicable bonding capacity sufficient to satisfy the requirements of this solicitation, as set forth herein.

All applicable federal, state and local taxes, permit fees, insurance, and performance and payment bonds are included in the Bid price. In the event of any discrepancy in the line item amounts, the calculated total shall control.

Both the Bidder and the licensee shall fill in the information on next page, pursuant to chapter 489, Florida Statutes. Licensee is defined as the person who is the licensed Contractor who qualifies the Bidding Company, Corporation or Partnership. If the Bidder is an individual, he must be licensed. (Please print or type, excluding signatures).

**[Remainder of page intentionally left blank]**

TOWN OF SOUTHWEST RANCHES, FLORIDA  
DYKES ROAD DRAINAGE AND WATER QUALITY PROJECT - REBID  
IFB No. 18-003

---

NAME: \_\_\_\_\_

ADDRESS: \_\_\_\_\_

FEIN: \_\_\_\_\_

LICENSE NUMBER: \_\_\_\_\_ STATE OR COUNTY: \_\_\_\_\_

LICENSE TYPE: \_\_\_\_\_  
(Attach copy of license)

LICENSE LIMITATIONS, IF ANY: \_\_\_\_\_  
(Attach a separate sheet, if necessary)

LICENSEE SIGNATURE: \_\_\_\_\_

LICENSEE NAME: \_\_\_\_\_

BIDDER'S SIGNATURE: \_\_\_\_\_

BIDDER'S NAME: \_\_\_\_\_

BIDDER'S ADDRESS: \_\_\_\_\_

BIDDER'S PHONE NUMBER: Office: \_\_\_\_\_ Cell: \_\_\_\_\_

BIDDER'S EMAIL ADDRESS: \_\_\_\_\_

By: \_\_\_\_\_

\_\_\_\_\_  
Name of Corporation/Entity

\_\_\_\_\_  
Address of Corporation/Entity

\_\_\_\_\_  
Signature of President or Authorized Principal

By: \_\_\_\_\_

Title: \_\_\_\_\_ (If the Bidder is a Corporation, affix corporate seal)

**DRUG FREE WORKPLACE**

Bidders must certify that they will provide a drug-free workplace. In order to have a drug-free workplace program, a business shall:

- 1) Publish a statement notifying employees that the unlawful manufacture, distribution, dispensing, possession, or use of a controlled substance is prohibited in the workplace and specifying the actions that will be taken against employees for violations of such prohibition.
- 2) Inform employees about the dangers of drug abuse in the workplace, the business's policy of maintaining a drug-free workplace, any available drug counseling, rehabilitation, and employee assistance programs, and the penalties that may be imposed upon employees for drug abuse violations.
- 3) Give each employee engaged in providing the commodities or contractual services that are under bid a copy of the statement specified in subsection (1).
- 4) In the statement specified in subsection (1), notify the employees that, as a condition of working on the commodities or contractual services that are under bid, the employee will abide by the terms of the statement and will notify the employer of any conviction of, or plea of guilty or nolo contendere to, any violation of chapter 893 or of any controlled substance law of the United States or any state, for a violation occurring in the workplace no later than five (5) days after such conviction or plea.
- 5) Impose a sanction on (or require the satisfactory participation in a drug abuse assistance or rehabilitation program, if such is available in the employee's community), any employee who is so convicted or takes a plea.
- 6) Make a good faith effort to continue to maintain a drug-free workplace through implementation of this section.

As the person authorized to sign the statement, I certify that this firm complies fully with the above requirements.

**BIDDER'S SIGNATURE:** \_\_\_\_\_

**BIDDER:** \_\_\_\_\_



**SWORN STATEMENT PURSUANT TO SECTION 287.133(3) (a)  
FLORIDA STATUTES ON PUBLIC ENTITY CRIMES**

THIS FORM MUST BE SIGNED AND SWORN TO IN THE PRESENCE OF A NOTARY PUBLIC OR OTHER OFFICIAL AUTHORIZED TO ADMINISTER OATHS.

1. This sworn statement is submitted to \_\_\_\_\_  
by \_\_\_\_\_  
for \_\_\_\_\_  
whose business address is \_\_\_\_\_

\_\_\_\_\_

and (if applicable) its Federal Employer Identification Number (FEIN) is \_\_\_\_\_

2. I understand that a "public entity crime" as defined in Paragraph 287.133(1)(g), Florida Statutes, means a violation of any state or federal law by a person with respect to and directly related to the transaction of business with any public entity or with an agency or political subdivision of any other state or with the United States, including, but not limited to, any bid, proposal, reply or contract for goods or services, any lease for real property, or any contract for the construction or repair of a public building or public work, involving antitrust, fraud, theft, bribery, collusion, racketeering, conspiracy, or material misrepresentation.
3. I understand that "convicted" or "conviction" as defined in Para. 287.133(1) (b), Florida Statutes, means a finding of guilt or a conviction of a public entity crime, with or without an adjudication of guilt, in any federal or state trial court of record relating to charges brought by indictment or information after July 1, 1989, as a result of a jury verdict, non-jury trial, or entry of a plea of guilty or nolo contendere.
4. I understand that an "affiliate" as defined in Para. 287.133(1) (a), Florida Statutes, means:
  - (i). A predecessor or successor of a person convicted of a public entity crime; or
  - (ii). An entity under the control of any natural person who is active in the management of the entity and who has been convicted of a public entity crime. The term "affiliate" includes those officers, directors, executives, partners, shareholders, employees, members, and agents who are active in the management of an affiliate. The ownership by one person of shares constituting a controlling interest in another person, or a pooling of equipment or income among persons when not for fair market value under an arm's length agreement, shall be a prima facie case that one person controls another person. A person who knowingly enters into a joint venture with person who has been convicted of a public entity crime in Florida during the preceding 36 months shall be considered an affiliate.
5. I understand that a "person" as defined in Para. 287.133(1) (e), Florida Statutes, means any natural person or entity organized under the laws of any state or of the United States with the legal power to enter into a binding contract and which bids or applies to bid on contracts for the provision of goods or services let by a public entity, or which otherwise transacts or applies to transact business with a public entity. The term "person"

TOWN OF SOUTHWEST RANCHES, FLORIDA  
DYKES ROAD DRAINAGE AND WATER QUALITY PROJECT - REBID  
IFB No. 18-003

---

includes those officers, directors, executives, partners, shareholders, employees, members, and agents who are active in management of an entity.

6. The statement which I have marked below is true in relation to the entity submitting this sworn statement. (Indicate which statement applies.)

\_\_\_\_\_ Neither the entity submitting this sworn statement, nor any of its officers, directors, executives, partners, shareholders, employees, members, or agents who are active in the management of the entity, nor any affiliate of the entity has been charged with and convicted of a public entity crime subsequent to July 1, 1989.

\_\_\_\_\_ The entity submitting this sworn statement, or one or more of its officers, directors, executives, partners, shareholders, employees, members, or agents who are active in the management of the entity or an affiliate of the entity has been charged with and convicted of a public entity crime subsequent to July 1, 1989.

However, there has been a subsequent proceeding before a Hearing Officer of the State of Florida, Division of Administrative Hearings and the Final Order entered by the Hearing Officer of the State of Florida, Division of Administrative Hearings and the Final Order entered by the Hearing Officer determined that it was not in the public interest to place the entity submitting this sworn statement on the convicted vendor list. (Attach a copy of the final order)

I UNDERSTAND THAT THE SUBMISSION OF THIS FORM TO THE CONTRACTING OFFICER FOR THE PUBLIC ENTITY IDENTIFIED IN PARAGRAPH 1 (ONE) ABOVE IS FOR THAT PUBLIC ENTITY ONLY AND, THAT THIS FORM IS VALID THROUGH DECEMBER 31 OF THE CALENDAR YEAR IN WHICH IT IS FILED. I ALSO UNDERSTAND THAT I AM REQUIRED TO INFORM THE PUBLIC ENTITY PRIOR TO ENTERING INTO A CONTRACT IN EXCESS OF THE THRESHOLD AMOUNT PROVIDED IN SECTION 287.017, FLORIDA STATUTES, FOR CATEGORY TWO, OF ANY CHANGE IN THE INFORMATION CONTAINED IN THIS FORM.

BIDDER: \_\_\_\_\_

**[Signatures on next page]**

TOWN OF SOUTHWEST RANCHES, FLORIDA  
DYKES ROAD DRAINAGE AND WATER QUALITY PROJECT - REBID  
IFB No. 18-003

---

By: \_\_\_\_\_

\_\_\_\_\_  
(Printed Name)

\_\_\_\_\_  
(Title)

Sworn to and subscribed before me this \_\_\_\_\_ day of \_\_\_\_\_, 20\_\_\_\_\_

Personally known \_\_\_\_\_

Or Produced Identification \_\_\_\_\_  
(Type of Identification)

Notary Public - State of \_\_\_\_\_

\_\_\_\_\_  
Notary Signature

My Commission Expires \_\_\_\_\_

(Printed, typed, or stamped commissioned name of notary public)

BIDDER: \_\_\_\_\_

**NON-COLLUSION AFFIDAVIT**

State of \_\_\_\_\_ )  
 ) ss:  
 County of \_\_\_\_\_ )

\_\_\_\_\_ being first duly sworn deposes and says that:

- (1) He/She is the \_\_\_\_\_ (Owner, Partner, Officer, Representative or Agent) of \_\_\_\_\_ the Bidder that has submitted the attached Bid;
- (2) He/She is fully informed with respect to the preparation and contents of the attached Bid and of all pertinent circumstances respecting such Bid;
- (3) Such Bid is genuine and is not a collusive or sham Bid;
- (4) Neither the said Bidder nor any of its officers, partners, owners, agents, representatives, employees or parties in interest, including this affiant, have in any way colluded, conspired, connived or agreed, directly or indirectly, with any other Bidder, firm, or person to submit a collusive or sham Bid in connection with the Work for which the attached Bid has been submitted; or to refrain from bidding in connection with such Work; or have in any manner, directly or indirectly, sought by agreement or collusion, or communication, or conference with any Bidder, firm, or person to fix any overhead, profit, or cost elements of the Bid or of any other Bidder, or to fix any overhead, profit, or cost elements of the Bid price or the Bid price of any other Bidder, or to secure through any collusion, conspiracy, connivance, or unlawful agreement any advantage against (Recipient), or any person interested in the proposed Work;
- (5) The price or prices quoted in the attached Bid are fair and proper and are not tainted by any collusion, conspiracy, connivance, or unlawful agreement on the part of the Bidder or any other of its agents, representatives, owners, employees or parties in interest, including this affiant.

BIDDER: \_\_\_\_\_

**[Signatures on next page]**

TOWN OF SOUTHWEST RANCHES, FLORIDA  
DYKES ROAD DRAINAGE AND WATER QUALITY PROJECT - REBID  
IFB No. 18-003

---

By: \_\_\_\_\_

\_\_\_\_\_  
(Printed Name)

\_\_\_\_\_  
(Title)

Sworn to and subscribed before me this \_\_\_\_\_ day of \_\_\_\_\_, 20\_\_\_\_,

Personally known \_\_\_\_\_

Or Produced Identification \_\_\_\_\_  
(Type of Identification)

Notary Public - State of \_\_\_\_\_

\_\_\_\_\_  
(Notary Signature)

My Commission Expires: \_\_\_\_\_

(Printed, typed, or stamped commissioned name of notary public)

BIDDER: \_\_\_\_\_









**CERTIFICATE OF AUTHORITY (If Joint Venture)**

State of \_\_\_\_\_ )  
  ) ss:  
County of \_\_\_\_\_ )

I HEREBY CERTIFY that a meeting of the Principals of the \_\_\_\_\_  
\_\_\_\_\_  
\_\_\_\_\_

A corporation existing under the laws of the State of \_\_\_\_\_ held on \_\_\_\_\_, 20\_\_\_\_, the following resolution was duly passed and adopted:

"RESOLVED, that, \_\_\_\_\_ as  
of the Joint Venture be and is hereby authorized to execute the Bid dated, \_\_\_\_\_ 20\_\_\_\_, to the  
Town of Southwest Ranches official act and deed of this Joint Venture."

I further certify that said resolution is now in full force and effect.

IN WITNESS WHEREOF, I have here unto set my hand this \_\_\_\_\_, 20\_\_\_\_.

\_\_\_\_\_  
Secretary:

(SEAL)

BIDDER: \_\_\_\_\_

TOWN OF SOUTHWEST RANCHES, FLORIDA  
DYKES ROAD DRAINAGE AND WATER QUALITY PROJECT - REBID  
IFB No. 18-003

Bond No. \_\_\_\_\_

**BID BOND**

State of \_\_\_\_\_ )

) ss:

County of \_\_\_\_\_ )

KNOW ALL MEN BY THESE PRESENTS, that we, \_\_\_\_\_

\_\_\_\_\_, as Principal, and \_\_\_\_\_

\_\_\_\_\_, as Surety, are held and firmly bound unto the Town of Southwest Ranches, a municipal corporation of the State of Florida, in the penal sum of \_\_\_\_\_ Dollars (\$ \_\_\_\_\_), lawful money of the United States, for the payment of which sum well and truly to be made, we bind ourselves, our heirs, executors, administrators and successors jointly and severally, firmly by these presents.

THE CONDITION OF THIS OBLIGATION IS SUCH that whereas the Principal has submitted the accompanying Bid, dated \_\_\_\_\_ 20\_\_ for

**“IFB No. 18-003:  
“IFB No. 18-003 Dykes Road Drainage and Water Quality Project - Rebid”**

NOW, THEREFORE,

- (a) If said Bid shall be rejected, or in the alternate
- (b) If said Bid shall be accepted and the Principal shall properly execute and deliver to said Town the appropriate Contract Documents, including any required insurance and bonds, and shall in all respects fulfill all terms and conditions attributable to the acceptance of said Bid, then this obligation shall be void; otherwise, it shall remain in force and effect, it being expressly understood and agreed that the liability of the Surety for any and all claims hereunder shall in no event exceed the amount of this obligation as herein stated.

IN WITNESS WHEREOF, the above bonded parties have executed this instrument under their several seals this \_\_\_ day of \_\_\_\_\_, 20\_\_\_, the name and the corporate seal of each corporate party being hereto affixed and these presents being duly signed by its undersigned representative.

BIDDER: \_\_\_\_\_

**[Signatures on next page]**

TOWN OF SOUTHWEST RANCHES, FLORIDA  
DYKES ROAD DRAINAGE AND WATER QUALITY PROJECT - REBID  
IFB No. 18-003

---

By: \_\_\_\_\_

Title: \_\_\_\_\_

IN PRESENCE OF: \_\_\_\_\_  
(Individual or Partnership Principal)

(SEAL)

\_\_\_\_\_  
(Business Address)

\_\_\_\_\_  
(City/State/Zip)

\_\_\_\_\_  
(Business Phone)

SURETY: \_\_\_\_\_

By: \_\_\_\_\_

(SEAL)

\_\_\_\_\_  
(Business Address)

\_\_\_\_\_  
(City/State/Zip)

\_\_\_\_\_  
(Business Phone)

IMPORTANT

Surety companies executing bonds must appear on the Treasury Department's most current list (circular 570 as amended) and be authorized to transact business in the State of Florida.

Countersigned by Florida Agent: \_\_\_\_\_

Name: \_\_\_\_\_

Date: \_\_\_\_\_

TOWN OF SOUTHWEST RANCHES, FLORIDA  
DYKES ROAD DRAINAGE AND WATER QUALITY PROJECT - REBID  
IFB No. 18-003

---

**GOVERNMENTAL CONTACT INFORMATION**

Please list **NAME OF AGENCY, ADDRESS, PHONE NUMBER, AND CONTACT PERSON** of any other Governmental Agencies or Quasi-governmental agencies for which you have conducted business on similar project within the past five years.

NAME OF AGENCY	ADDRESS	PHONE NUMBER	CONTACT PERSON

BIDDER: \_\_\_\_\_

**ACKNOWLEDGMENT OF CONFORMANCE  
WITH O.S.H.A. STANDARDS**

TO THE TOWN OF SOUTHWEST RANCHES:

\_\_\_\_\_, hereby acknowledges and agrees that as Contractor for the Town of Southwest Ranches within the limits of the Town of Southwest Ranches, Florida, we have the sole responsibility for compliance with all requirements of the Federal Occupational Safety and Health regulations, and agree to indemnify and hold harmless the Town of Southwest Ranches, including its Council Members, officers and employees, from and against any and all legal liability or loss the Town may incur due to \_\_\_\_\_'s failure to comply with such regulations.

\_\_\_\_\_  
ATTEST

\_\_\_\_\_  
CONTRACTOR

BY: \_\_\_\_\_

\_\_\_\_\_  
Print Name

Date: \_\_\_\_\_

BIDDER: \_\_\_\_\_

**BIDDER CONFIRMATION OF QUALIFICATIONS**

The Contract will be awarded only to a responsible and eligible Bidder, qualified by experience and capable of providing required insurance, and bonds and in a financial position to do the Work specified within the Invitation for Bids, and which can complete the Work within the time schedule specified.

At the time of the Bid, the Bidder shall hold all Contractor and other qualification certificates and licenses required to be held by the Contractor by Florida Statutes or ordinances of the Town of Southwest Ranches and Broward County in order to perform the Work which is the subject of this Invitation for Bids.

All license, certificate and experience requirements must be met by the Bidder (as opposed to the Subcontractor) at the time of Bid submission. Bids submitted by Bidders who do not directly hold required licenses and certificates or who rely on a Subcontractor to meet the license, certificate or experience criteria will be rejected. By executing this Form and submitting its Bid, Bidder represents that it meets the requirements set forth above, and as set forth in the Bid Documents, and acknowledges and understands that such representation is material and that the Town shall be relying on this representation with respect to a Contract award.

Bidder: \_\_\_\_\_

Bidder's Name: \_\_\_\_\_

Bidder's Address: \_\_\_\_\_  
\_\_\_\_\_

Bidder's Phone Number: \_\_\_\_\_

Bidder's Email: \_\_\_\_\_

Contractor's License and License number(s) (attach copies of license(s) required for the work described in this IFB):

\_\_\_\_\_  
\_\_\_\_\_  
\_\_\_\_\_

BIDDER: \_\_\_\_\_

**[Signatures on next page]**

TOWN OF SOUTHWEST RANCHES, FLORIDA  
DYKES ROAD DRAINAGE AND WATER QUALITY PROJECT - REBID  
IFB No. 18-003

---

State of Florida

County of \_\_\_\_\_

The foregoing instrument was acknowledged before me this \_\_\_ day of \_\_\_\_\_, 20\_\_ by \_\_\_\_\_ of \_\_\_\_\_ (Bidder), who is personally known to me or who has produced \_\_\_\_\_ as identification and who did (did not) take an oath.

WITNESS my hand and official seal.

NOTARY Public Records of \_\_\_\_\_ County, Florida

\_\_\_\_\_  
Notary Signature

Name of Notary Public: (Print, Stamp, or type as Commissioned)

BIDDER: \_\_\_\_\_

TOWN OF SOUTHWEST RANCHES, FLORIDA  
DYKES ROAD DRAINAGE AND WATER QUALITY PROJECT - REBID  
IFB No. 18-003

---

**BIDDER EXPERIENCE QUESTIONNAIRE**

The Bidder's response to this questionnaire will be utilized as part of the Town's Bid Evaluation and Contractor selection. Bidders must have current licensures applicable to this type of work and must have experience on comparable work.

List comparable contract experience and client references:

Project Name: \_\_\_\_\_

Contract Amount: \_\_\_\_\_

Contract Date: \_\_\_\_\_

Client Name: \_\_\_\_\_

Address: \_\_\_\_\_

Contact Person: \_\_\_\_\_

Contact Person Tel. No.: \_\_\_\_\_

Project Name: \_\_\_\_\_

Contract Amount: \_\_\_\_\_

Contract Date: \_\_\_\_\_

Client Name: \_\_\_\_\_

Address: \_\_\_\_\_

Contact Person: \_\_\_\_\_

Contact Person Tel. No.: \_\_\_\_\_

Project Name: \_\_\_\_\_

Contract Amount: \_\_\_\_\_

Contract Date: \_\_\_\_\_

Client Name: \_\_\_\_\_

Address: \_\_\_\_\_

Contact Person: \_\_\_\_\_

Contact Person Tel. No.: \_\_\_\_\_

BIDDER: \_\_\_\_\_



**SUB-CONTRACTOR LIST**

In the form below, the Bidder shall list all Subcontractors to be used on this project if the Bidder is awarded the Contract for this project. This list shall not be amended without the prior written consent of Town.

<u>CLASSIFICATION OF WORK</u>	<u>NAME</u>	<u>ADDRESS</u>

BIDDER: \_\_\_\_\_

**ACKNOWLEDGEMENT OF ADDENDA**

Bidder shall indicate receipt of any addendum by initialing below for each addendum received.

Addendum No.1 \_\_\_\_\_

Addendum No.2 \_\_\_\_\_

Addendum No.3 \_\_\_\_\_

Addendum No.4 \_\_\_\_\_

**[Remainder of page intentionally left blank]**

BIDDER: \_\_\_\_\_

**LIABILITY CLAIMS**

Please list the following information for **all** Liability Claims for the past ten (10) years:

1. Name and Location of project: \_\_\_\_\_  
\_\_\_\_\_
2. Contact information for Project Owner:
  - a. Name: \_\_\_\_\_
  - b. Address: \_\_\_\_\_
  - c. Phone: \_\_\_\_\_
  - d. Email: \_\_\_\_\_
3. Nature of Claim: \_\_\_\_\_  
\_\_\_\_\_
4. Date of Claim: \_\_\_\_\_
5. Resolution Date of Claim and how resolved: \_\_\_\_\_  
\_\_\_\_\_  
\_\_\_\_\_
6. If applicable:
  - a. Court Case Number: \_\_\_\_\_
  - b. County: \_\_\_\_\_
  - c. State: \_\_\_\_\_

BIDDER: \_\_\_\_\_

**INSERT W – 9**

**1 page**

**STATEMENT OF NO RESPONSE**

Recipients of this solicitation may elect not to respond. The Town is interested in learning the reason(s) for non-response. If you elect **not** to respond with an offer to this solicitation, the Town requests that the reason(s) are indicated below and this form is returned to:

Mara Semper, Procurement and Budget Officer  
Town of Southwest Ranches  
13400 Griffin Road  
Southwest Ranches, FL 33330

or

Email: [msemper@southwestranches.org](mailto:msemper@southwestranches.org)

**REASONS**

1. \_\_\_\_\_ Do not offer this product/service or equivalent.
2. \_\_\_\_\_ Schedule would not permit.
3. \_\_\_\_\_ Insufficient time to respond to solicitation.
4. \_\_\_\_\_ Unable to meet specifications / scope of work.
5. \_\_\_\_\_ Specifications “too tight” (i.e. geared to specific brand or manufacturer).
6. \_\_\_\_\_ Specifications not clear.
7. \_\_\_\_\_ Unable to meet bond and / or insurance requirements.
8. \_\_\_\_\_ Solicitation addressed incorrectly, delayed in forwarding of mail.
9. \_\_\_\_\_ Other (Explanation provided below or by separate attachment).

Explanation: \_\_\_\_\_  
\_\_\_\_\_

The Town may delete the names of those persons or businesses who fail to respond to three (3) solicitations, who fail to return this Statement, or as requested.

Desire to receive future Town solicitations?     Yes     No

COMPANY: \_\_\_\_\_

NAME: \_\_\_\_\_ TITLE: \_\_\_\_\_

ADDRESS: \_\_\_\_\_

TELEPHONE: (\_\_\_\_\_) \_\_\_\_\_ DATE: \_\_\_\_\_



**EXHIBIT "A"**  
**AGREEMENT**  
**BETWEEN THE**  
**TOWN OF SOUTHWEST RANCHES**  
**AND**

---

**FOR**  
**DYKES ROAD DRAINAGE AND WATER QUALITY PROJECT - REBID**  
**IFB No. 18-003**

AGREEMENT FOR  
DYKES ROAD DRAINAGE AND WATER QUALITY PROJECT - REBID

**THIS IS AN AGREEMENT (“Agreement” or “Contract”) made and entered into on this \_\_\_\_\_ day of \_\_\_\_\_ 201\_ by and between the Town of Southwest Ranches, a Municipal Corporation of the State of Florida, (hereinafter referred to as “Town”) and \_\_\_\_\_ (hereinafter referred to as “Contractor”).**

**WHEREAS**, the Town desires to \_\_\_\_\_ (“Project”); and

**WHEREAS**, the Town advertised an Invitation for Bids, IFB No. \_\_\_\_\_ on \_\_\_\_\_, 201\_ (“IFB”); and

**WHEREAS**, \_\_ bids were received by the Town on \_\_\_\_\_, 201\_; and

**WHEREAS**, the Town has adopted Resolution No. 201\_- \_\_\_\_ at a public meeting of the Town Council approving the recommended award and has selected \_\_\_\_\_ for award of the Project.

**NOW THEREFORE**, in consideration of the foregoing premises and the mutual terms and conditions herein, the Town and Contractor hereby agree as follows:

**Section 1: Scope of Services**

- 1.1 Upon execution of this Agreement, the Contractor agrees to perform the duties and responsibilities as defined herein and in the IFB to which this Agreement is EXHIBIT “A” and which is made a part hereof by this reference (hereinafter referred to as “Work”). This Agreement, as well as all Exhibits, the IFB, the Contractor’s Bid, including all forms attached thereto, and all addenda, specifications, drawings and plans, shall be hereinafter collectively referred to as the “Contract Documents” and incorporated herein by reference. To the extent of any conflict among the Contract Documents, the more stringent criteria relative to the Contractor’s performance of the Work shall govern over the less stringent criteria.
- 1.2 All Work rendered pursuant to this Agreement by Contractor shall be performed in accordance with the applicable standard of care for persons or entities performing similar work in Broward County, Florida. Contractor shall perform the Work in strict accordance with the requirements of this Agreement, all of the other Contract Documents, good construction practices for this type of Work performed in Broward County, Florida and all applicable codes, ordinances, rules, laws and regulations governing the Work, including, but not limited to, the Florida Building Code, along with Broward County Amendments to it.
- 1.3 By submitting its Bid and entering into this Agreement, Contractor represents that it has visited the location of the Work and informed itself of the conditions that exist at the site, including conditions of the facilities and difficulties attending the execution of the Work and such existing site conditions have been accounted for within the Contract Price (as defined below). Furthermore, all costs for the

proper disposal of excess material generated on site in the performance of the Work have likewise been included and accounted for within the Contract Price (as defined below).

- 1.4 Contractor, in addition to any manufacturer's warranty for materials or equipment, hereby warrants that its work will be free of defects and deficiencies for a period of one year(s) from the Final Completion Date (as defined below). If any defects or deficiencies arise within the warranty period, the Contractor shall correct the defect or deficiency at no cost to the Town. Nothing herein shall be construed as a waiver, limitation or release of any right or remedy that the Town may have for breach of this Agreement, which rights are cumulative and in no way limited by the warranty.

**Section 2: Term of this Agreement and Agreement Time**

- 2.1 Town and Contractor agree that Contractor shall perform all Work under this Agreement for

**DYKES ROAD DRAINAGE AND WATER QUALITY PROJECT - REBID**

- 2.2 Town shall have the ability to terminate this Agreement as provided in "Section 18: Termination."
- 2.3 Contractor shall not be entitled to any claim for damages against Town on account of hindrance or delays from any cause whatsoever. If, however, Contractor is delayed in the prosecution of the Work occasioned by an act of God, or by act or omission on the part of the Town, or due to changes ordered in the Work by Town which expand the scope and costs of the Work, such act, hindrance, or delay shall only entitle Contractor to receive an extension of time as its sole and exclusive remedy for such hindrance or delays and Contractor waives any and all other claims against Town.
- 2.4 Time being of the essence, Town and Contractor agree that Contractor shall perform all Work under this Agreement and achieve substantial completion of the Work within **one hundred and fifty (150) calendar days of the date of the Notice to Proceed**, subject to appropriate extensions of time as provided in this Agreement ("Substantial Completion Date").
- 2.4.1 Substantial Completion of the Work at the Project shall be defined as the date upon which the last of all of the following events have occurred:
- (i) All necessary approvals have been issued with respect to the Work by the appropriate governmental authorities;
  - (ii) Restoration of all utilities to operation that have been affected during performance of the Work;
  - (iii) All Work has been completed; and
  - (iv) The Town's engineer/architect of record for the Project, Town of Southwest Ranches Drainage Improvements, has issued its written acceptance of the Work performed by Contractor and executed and delivered to the Town a Certificate of Substantial Completion.

- 2.4.2 Given that the parties agree that time is of the essence with respect to this Agreement and any breach of same shall go to the essence hereof, and Contractor, in agreeing to substantially complete the Work within the time herein mentioned, has taken into consideration and made allowances for all hindrances and delays incident to its Work.

**Liquidated/Delay Damages ("LD's")** – In the event Contractor does not achieve Substantial Completion of the Work as defined in Paragraph 2.4.1 above, in whole or in part due to its own



fault, the parties hereto acknowledge that any delay beyond the scheduled Substantial Completion Date may cause grave injury and damage to the Town by virtue of locating, moving to and paying rent for temporary quarters, loss of use, extension of overhead costs, additional costs of design professionals and otherwise. Accordingly, the calculation of the actual damages to the Town would be uncertain and difficult if not impossible to determine. Consequently, if the Contractor has not achieved Substantial Completion of the Work within **one hundred and fifty (150) days after the issuance of the Notice to Proceed** and has not obtained written authorization for such delay, time being of the essence, then the parties hereto agree that as liquidated delay damages and not as a penalty, the Contractor shall pay to the Town an amount equal to **\$200.00** for each day or portion thereof, that the date of completion is later than the scheduled Substantial Completion Date set forth above. Contractor shall be entitled to an extension of time and relief from liquidated damages to the extent that additional out of scope work is authorized by the Town in accordance with a properly executed Change Order and such work causes a critical path delay in meeting the Substantial Completion Date set forth above. All such liquidated damage amounts, if any, shall at the Town's sole option, be paid by Contractor to Town weekly, immediately upon each such failure of Contractor to comply with the scheduled Substantial Completion Date, as set forth above. In the event that the Contractor fails to make any one or more of the payments to Town as required under this Paragraph, the Town, at its sole option, shall have the right to deduct any and all such amounts from any amounts due or to become due to Contractor.

Contractor shall achieve final completion of the Work within **thirty (30) days after the date of Substantial Completion or no later than one hundred and eighty (180) days from the issuance of the Notice to Proceed** ("Final Completion Date"). Final Completion Date is defined as the date when all punch list items have been completed as evidenced by the issuance of a written Certification of Final Completion by the Town's design professional for this Project, and all other conditions precedent to Final Completion as outlined below have been satisfied:

Contractor shall:

- (i) Deliver to the Town all warranties, final certifications and similar documentation to confirm that all necessary approvals have been issued with respect to the Work by the appropriate governmental authorities;
- (ii) Complete all Punch List items of Work;
- (iii) Remove temporary facilities from the site, along with construction tools and similar elements;
- (iv) Complete final clean-up including repair, replace and restore any items damaged by Contractor as a consequence of performing Work;
- (v) Deliver to the Town confirmation that all permits have been closed; and
- (vi) Confirm that the Town's engineer/architect of record for the Project, Town of Southwest Ranches Drainage Improvements, has issued its written acceptance of the Work performed by Contractor and executed and delivered to the Town a Certificate of Final Completion.

Notwithstanding the foregoing, Contractor acknowledge that, among other damages the Town may suffer from Contractor's delays, the Town may be required to forfeit payment of, or may be required to make reimbursement for, grant monies from the South Florida Water Management District [(in

the amount of up to \$100,000 or 50% of the eligible storm water expenditure for the project (whichever is less)] if the project is not completed by 10/31/2018, and from the South Broward Drainage District (in the amount of \$50,000 in cash contribution) if the Project is not timely completed. Accordingly, Contractor hereby agrees to indemnify and hold Town harmless from and against any forfeitures or losses of such grant monies resulting from Contractor's delays. Contractor acknowledges and agrees that Town, at its sole option, may elect to recover from Contractor its actual damages, including the actual loss of such grant monies, in lieu of assessing liquidated damages, where such actual losses exceed the amount of liquidated damages. This Section 2.4.2 shall survive termination of this Agreement pursuant to Sections 18C or 18E herein, or other termination for cause.

**Section 3: Compensation & Method of Payment**

- 3.1 Contractor shall render all Work to the Town under the Agreement for the total not to exceed lump sum price of \$\_\_\_\_\_Dollars ("Contract Price").
- 3.2 Town shall not be liable for any cost increases or escalation associated with labor, services, materials, equipment or any other costs that may arise during the performance of the Work. In the event the cost of the Work exceeds the amounts defined in Section 3.1 herein of the Contract Price, Contractor shall pay such excess from its own funds and Town shall not be required to pay any part of such excess. The only exception shall be any adjustments to the Contract Price pursuant to any written Change Order duly executed by Town and Contractor in accordance with the terms and conditions of this Agreement, and with the same formality and of equal dignity associated with the original execution of this Agreement.
- 3.3 Town and Contractor agree that payment under this Agreement will be subject to (a) the delivery of an appropriate invoice or payment application by Contractor to Town with such invoices being delivered by Contractor no more often than once every 30 days, and (b) verification by Town and its designated professional that the Work being invoiced has been performed in accordance with this Agreement. Upon verification by Town and the design professional that the invoiced Work has been performed in accordance with this Agreement, Town shall have thirty (30) days thereafter to pay said invoice.
- 3.4 Each invoice or payment application must be accompanied by all supporting documentation and other information reasonably requested by Town, including, but not limited to a Partial Release of Lien or Final Release of Lien as appropriate in the forms set forth in Chapter 713.20, Florida Statutes. Reference herein to Chapter 713, Florida Statutes is for convenience, and shall not be construed as a waiver of sovereign immunity or authority for imposition of liens against public property. Each progress payment shall be reduced by 10% retainage. Subject to other requirements of the Contract Documents, retainage shall be released after final completion of the Work and Town's receipt of acceptable reports and other documentation including certification of payment to subcontractors, if any, and a Final Release of Lien in the form set forth in Section 713.20, Florida Statutes, as well as satisfaction of the conditions set forth at Section 3.5 of this Agreement.
- 3.5 A final payment invoice or application must be accompanied by written notice from Contractor that the entire Work is completed. The Town's engineer/architect of record will make a final inspection and notify Contractor in writing with a punch list of all particulars in which this inspection reveals that the Work is incomplete or defective. Contractor shall immediately take such measures as are necessary to complete the punch list and remedy deficiencies. Contractor's obligation to perform and complete the Work in strict accordance with the Contract Documents shall be absolute. The

Town may refuse payment if (a) the Work is defective or completed Work has been damaged requiring correction or replacement, (b) the Town has been required to correct defective Work or complete Work in accordance with the Contract Documents, or (c) because claims have been made against the Town on account of Contractor's performance or furnishing of

the Work or liens or claims have been filed or asserted in connection with the Work or there are other items entitling the Town to a set-off against the amount due. No payment will be made for Work performed by the Contractor to replace defective work; for work which is not shown or ordered in the Contract Documents; or additional work performed by Contractor without prior written approval of Town.

**Section 4: Assignment**

No assignment of this Agreement or of the Work hereunder by Contractor shall be valid without the express written consent of Town, which may be given or withheld, in Town's sole discretion. All Work to be performed pursuant to this Agreement shall be performed by the Contractor, and no Work shall be subcontracted to other parties or firms without the prior written consent and approval of the Town Administrator.

**Section 5: Contractor's Responsibility for Safety**

- 5.1 Contractor shall be responsible for initiating, maintaining and supervising all safety precautions and programs in connection with the Work provided pursuant to this Agreement in order to prevent, inter alia, damage, injury or loss to (a) all employees performing the Work and all other persons who may be affected thereby, (b) all the Work and all materials and equipment to be incorporated therein and (c) other property at the site or adjacent thereto. Contractor shall timely provide all notices and comply with all applicable laws, ordinances, rules, regulations and orders of any public authority or other authority with jurisdiction bearing on the safety of persons and property in order to provide protection from damage injury or loss.

**Section 6: Insurance**

- 6.1 Throughout the term of this Agreement and for all applicable statutes of limitation periods, Contractor shall maintain in full force and affect all of the insurance coverages as set forth in this Section.
- 6.2 All Insurance Policies shall be issued by companies that (a) are authorized to transact business in the State of Florida, (b) have agents upon whom service of process may be made in Broward County, Florida, and (c) have a rating of "A-" or better in accordance with A.M. Best's Key Rating Guide.
- 6.3 All Insurance Policies shall name and endorse the following as an additional named insured:
- Town of Southwest Ranches  
13400 Griffin Road  
Southwest Ranches, FL 33330-2628
- 6.4 All Insurance Policies shall be endorsed to provide that (a) Contractor's Insurance is primary to any other Insurance available to Town or any other additional insured with respect to claims covered under the policy and (b) Contractor's insurance applies separately to each insured against who claims are made or suit is brought, and (c) that the inclusion of more than one insured shall not

operate to increase the Insurer's limit of liability. Self-insurance by Contractor shall not be acceptable as providing any of the required insurance coverages required in this Agreement.

- 6.5 If the Contractor fails to submit the required insurance certificate in the manner prescribed with the executed Agreement submitted to the Town at the time of execution of this Agreement, Contractor shall be deemed in default, and the Agreement shall be cancelled or rescinded without liability by the Town to the Contractor.
- 6.6 Contractor shall carry the following minimum types of Insurance:
- A. **WORKER'S COMPENSATION:** Worker's Compensation Insurance is to apply to all employees in compliance with the "Workers' Compensation Law" of the State of Florida and all applicable federal laws. Contractor shall carry Worker's Compensation Insurance with the statutory limits, which shall include employer's liability insurance with a limit of not less than **Five Hundred Thousand Dollars (\$500,000)** for each accident, and **Five Hundred Thousand Dollars (\$500,000)** for each disease. Policy(ies) must be endorsed with waiver of subrogation against Town.
  - B. **BUSINESS AUTOMOBILE LIABILITY INSURANCE:** Contractor shall carry business automobile liability insurance with minimum limits of **One Million Dollars (\$1,000,000)** per occurrence, combined single limits bodily injury liability and property damage. The policy must be no more restrictive than the latest edition of the business automobile liability policy without restrictive endorsements, as filed by the Insurance Services Office, and must include all owned vehicles and all hired or non-owned vehicles.
  - C. **COMMERCIAL GENERAL LIABILITY:** Contractor shall carry Commercial General Liability Insurance with limits of not less than **One Million Dollars (\$1,000,000)** per occurrence combined single limit for bodily injury and property damage, and not less than **Two Million Dollars (\$2,000,000)** in the aggregate. The insurance policy must include coverage that is no more restrictive than the latest edition of the commercial general liability policy, without restrictive endorsements as filed by the Insurance Service Office (ISO), and the policy must include coverages for premises and/or operations, independent contractors, products and/or completed operations for contracts, contractual liability, broad form contractual coverage, broad form property damage, products, completed operations, personal injury and explosion, collapse and underground (X-C-U). Personal injury coverage shall include coverage that has the employee and contractual exclusions removed. The ISO form of the policy must be acceptable to the Town.
  - D. **ENVIRONMENTAL POLLUTION INSURANCE:**  
The Contractor shall carry an Environmental Pollution Insurance for pollution-related incidents, including the cost of cleaning up a site after a pollution incident, with limits not less than \$500,000.00 Dollars per occurrence with deductible not greater than \$100,000.00. An additional Form or endorsement to the Commercial General Liability Insurance to include an Environmental Pollution Insurance coverage providing the specified coverage, is acceptable.
- 6.7 Contractor shall provide Town with a copy of the Certificates of Insurance or endorsements evidencing the types of Insurance and coverages required by this Section prior to beginning the performance of any Work under this Agreement and, at any time thereafter, upon request by Town.

6.8 Contractor's Insurance Policies shall be endorsed to provide Town with at least thirty (30) calendar days prior written notice of cancellation, non-renewal, restrictions, or reduction in coverages or limits. Notice shall be sent to:

Town of Southwest Ranches  
13400 Griffin Road  
Southwest Ranches, Florida 33330

And

Keith M. Poliakoff, Esq.  
Saul Ewing Arnstein & Lehr  
200 East Las Olas Boulevard  
Suite 1000  
Fort Lauderdale, Florida 33301

6.9 Contractor's Commercial General Liability Insurance policy shall be on an "occurrence" basis only and shall not be a "claims-made" policy.

6.10 If any of Contractor's Insurance policies include a general aggregate limit and provides that claims investigation or legal defense costs are included in the general aggregate limit, the general aggregate limit that is required shall be at least five (5) times the occurrence limits specified above in this article.

6.11 The Contractor shall not commence operations, and/or labor to complete any of the Work pursuant to this Agreement until certification or proof of insurance issued directly by the insurance company underwriting department or insurance agent, detailing terms and provisions of coverage, has been received and approved by the Town.

6.12 If any of Contractor's initial insurance expires prior to the completion of the Work, renewal copies of Policies shall be furnished to Town at least thirty (30) days prior to the date of their expiration, and Town shall be an additional named insured by endorsement on all of Contractor's renewal policies.

6.13 **UPON EXECUTION OF THIS AGREEMENT, CONTRACTOR SHALL SUBMIT TO TOWN COPIES OF ITS CERTIFICATE(S) OF INSURANCE EVIDENCING THE REQUIRED COVERAGES REQUIRED HEREIN AND SPECIFICALLY PROVIDING THE ENDORSEMENT TO THE POLICIES THAT SHOWS THE TOWN OF SOUTHWEST RANCHES IS AN ADDITIONAL NAMED INSURED WITH RESPECT TO THE REQUIRED COVERAGES AND CONTRACTOR'S WORK UNDER THE AGREEMENT.**

6.14 The official title of the owner is Town of Southwest Ranches. This official title shall be used in all insurance policies and documentation.

6.15 All required insurance policies shall preclude any insurer's or underwriter's rights of recovery or subrogation against Town with the express intention of the parties being that the required insurance coverage protects both parties as the primary coverage for any and all losses covered by the above described insurance.

- 6.16 Contractor shall ensure that any company issuing insurance to satisfy the requirements contained in this Agreement agrees that they shall have no recourse against Town for payment or assessments in any form on any policy of insurance.
- 6.17 The clauses “Other Insurance Provisions” and “Insured Duties in the Event of an Occurrence, Claim or Suit” as it appears in any policy of insurance in which Town is named as an additional named insured shall not apply to Town in any respect. Town shall use its best efforts to provide written notice of occurrence within thirty (30) working days after Town’s actual notice of such event.
- 6.18 Notwithstanding any other provisions of this Agreement, Contractor’s obligation to maintain all required insurance as specified in this Section of the Agreement shall survive the expiration or earlier termination of this Agreement.

**Section 7: Copyrights and Patent Rights**

Contractor warrants that there has been no violation of copyrights, trademarks, or patent rights in manufacturing, producing, and/or selling the item(s) ordered or shipped as a result of this Agreement; and Contractor agrees to indemnify and hold harmless Town, its employees, agents, or servants, its employees, agents, or servants against any and all liability, loss, or expense resulting from any such violation(s).

**Section 8: Laws and Regulations**

Contractor agrees to abide by all applicable Federal, State, County, and local laws, rules, regulations, ordinances and codes in performing all Work under this Agreement.

**Section 9: Taxes and Costs**

All federal, state and local taxes relating to the Contractor's Work under this Agreement and, similarly, all costs for licenses, permits, or certifications to perform the Work under this Agreement shall be paid by the Contractor.

**Section 10: Indemnification**

To the fullest extent permitted by Florida law, including Florida Statutes, Section 725.06, the Contractor shall indemnify, defend and hold harmless the Town, its officers and employees, from liabilities, damages, losses and costs, including, but not limited to, reasonable attorney’s fees (at both the trial and appellate levels), to the extent caused by the negligence, recklessness, or intentional wrongful misconduct of the Contractor and persons employed or utilized by the Contractor in the performance of the Contract or anyone else for whose actions Contractor may be responsible, regardless of the partial fault of any party indemnified hereunder. Notwithstanding any other provisions of this Agreement, the Contractor’s duty to indemnify, defend and hold the Town harmless shall survive the termination or earlier expiration of this Agreement.

**Section 11: Non-discrimination**

Contractor shall not discriminate against any client, employee or applicant for employment because of race, gender, age, color, religion, sex, national origin, physical or mental disability, or marital status. Contractor shall take affirmative action to ensure that applicants, subcontractors, Independent contractors, and employees are treated without discrimination in regard to their race, gender, age, color, religion, sex, national origin, physical or mental disability, or marital status. Contractor shall comply with all applicable sections of the Americans with Disabilities Act. Contractor agrees that compliance with this Article constitutes a material condition to this Agreement, and that it is binding upon the Contractor, its successors, transferees, and assignees for the period during which any Work is provided. Contractor further assures

that all subcontractors and independent contractors are not in violation of the terms of this Section of the Agreement.

**Section 12: Sovereign Immunity**

Nothing in this Agreement is intended nor shall it be construed or interpreted to waive or modify the Town's Sovereign Immunity defense or any other of the Town's immunities and limitations on liability as provided for in Florida Statutes, as now worded or as may hereafter be amended and all Florida case law interpreting same.

**Section 13: Prevailing Party Attorneys' Fees**

In the event either party to this Agreement incurs legal fees, legal expenses or costs to enforce the terms of this Agreement on trial or on appeal at all levels, the prevailing party shall be entitled to recover the reasonable costs of such action so incurred, including, without limitation, reasonable attorney's fees and costs and expert witness fees and costs incurred.

**Section 14: No Third Party Beneficiaries**

This Agreement is solely for the benefit of the parties hereto, and is not entered into for the benefit of any other person or entity. Nothing in this Agreement shall be deemed or construed to create or confer any benefit, right or cause of action for any third party or entity.

**Section 15: Funding**

The obligation of Town for payment to Contractor for the Work is limited to the availability of funds appropriated in a current fiscal period, and continuation of any contractual relationship into a subsequent fiscal period is subject to appropriation of funds, unless otherwise authorized by law.

**Section 16: Manner of Performance**

Contractor agrees to perform its Work in a professional manner and in accordance with all applicable Local, State, County, and Federal laws, rules, ordinances, regulations and codes. Contractor agrees that the Work provided shall be provided by employees that are educated, trained, experienced, certified, and licensed in all areas encompassed within their designated duties. Contractor agrees to furnish to Town any and all documentation, certification, authorization, license, permit, or registration currently required by applicable laws, rules, and regulations. Contractor further certifies that it and its employees will keep all licenses, permits, registrations, authorizations, or certifications required by applicable laws or regulations in full force and effect during the term of this Agreement. Failure of Contractor to comply with this paragraph shall constitute a material breach of this Agreement.

**Section 17: Public Records**

The Town is subject to Chapter 119, Florida Statutes, "Public Records Law." No claim of confidentiality or proprietary information in all or any portion of a response will be honored unless a specific exemption from the Public Law exists and is cited in the response. An incorrectly claimed exemption does not disqualify the firm, only the exemption claimed. Contractor acknowledges the public shall have access at all reasonable times, to all documents and information pertaining to Town's contracts, subject to the provisions of Chapter 119, Florida Statutes, and agrees to allow access by the Town and the public to all documents subject to disclosures under applicable law.

To the extent that Contractor has been provided access to or has received security sensitive information, as defined by Florida Statutes, Section 119.071 and/or has executed a Confidential Information

Acknowledgement and Agreement as part of the IFB process, Contractor shall keep and maintain the security sensitive information as confidential and exempt from public disclosures as required by Florida Statutes.

Contractor agrees to keep and maintain public records required by the Town to perform the service in Contractor's possession or control in connection with Contractor's performance under this IFB and any Contract awarded, and upon the request from the Town's custodian of public records, to provide the Town with a copy of the requested records or allow the records to be inspected or copied within a reasonable amount of time at a cost that does not exceed the cost provided in Chapter 119 or as otherwise provided by law. Contractor shall ensure that public records that are exempt or confidential and exempt from public records disclosure requirements are not disclosed except as authorized by law for the duration of the contract term and following completion of the Contract if the Contractor does not transfer the records to the Town.

Upon completion of the Contract, Contractor agrees, at no cost to Town, to transfer to the Town all public records in possession of the Contractor or keep and maintain public records required by the Town to perform the service. If the Contractor transfers all public records to the Town upon completion of the Contract, the Contractor shall destroy any duplicate public records that are exempt or confidential and exempt from public records disclosure requirements. If the Contractor keeps and maintains public records upon completion of the Contract, the contractor shall meet all applicable requirements for retaining public records. All records stored electronically must be provided to the Town, upon request from the Town's custodian of public records, in a format that is compatible with the information technology system of the Town.

Contractor's failure or refusal to comply with the provisions of this section shall result in the immediate termination for cause of the Contract by Town.

**IF THE CONTRACTOR HAS QUESTIONS REGARDING THE APPLICATION OF CHAPTER 119, FLORIDA STATUTES, TO THE CONTRACTOR'S DUTY TO PROVIDE PUBLIC RECORDS RELATING TO THIS CONTRACT, CONTACT THE CUSTODIAN OF PUBLIC RECORDS AT PHONE: (954) 434-0008; EMAIL: [RMUNIZ@SOUTHWESTRANCHES.ORG](mailto:RMUNIZ@SOUTHWESTRANCHES.ORG); RUSSELL MUNIZ, ASSISTANT TOWN ADMINISTRATOR/TOWN CLERK, TOWN OF SOUTHWEST RANCHES, 13400 GRIFFIN ROAD, SOUTHWEST RANCHES, FLORIDA, 33330.**

**Section 18: Termination**

The Agreement may be terminated upon the following events:

- A. **Termination by Mutual Agreement.** In the event the parties mutually agree in writing, this Agreement may be terminated on the terms and dates stipulated therein.
- B. **Termination for Convenience.** This Agreement may be terminated for Convenience by Town upon Town providing Contractor with **thirty (30) calendar day's** written notice of Town's intent to terminate this Agreement for Convenience. In the event that this Agreement is terminated by Town for Convenience, Contractor shall be paid **ONLY** for Work performed and approved by the Town as of the date of this Agreement is terminated, plus any direct and reasonable expense



sustained up to the date of receipt of the written notice. In no event shall Town be liable for consequential damages, including but not limited to, lost profits on Work not yet performed, and no other compensation or damages other than as set forth in this Section shall be paid to or recovered by Contractor in any legal proceeding against Town. Upon being notified of Town's election to terminate, Contractor shall immediately cease performing any further Work or incurring additional expenses. Contractor acknowledges and agrees that Ten Dollars (\$10.00) of the compensation to be paid by Town, the adequacy of which is hereby acknowledged by Contractor, is given as specific consideration to Contractor for Town's right to terminate this Agreement for Convenience.

- C. **Termination for Cause.** In the event of a material breach by Contractor, Town shall provide Contractor written notice of its material breach. Contractor shall thereafter have fourteen (14) days from the date of its receipt of such notification to cure such material breach. If Contractor does not cure the material breach within that time period, Town may terminate this Agreement immediately. Material breaches shall include, but are not limited to, Contractor's violations of governing standards, failure to carry out the work in strict accordance with the Contract Documents, failure to supply sufficient work forces, violations of state or federal laws, violation of Town's policies and procedures, or violation of any of the terms and conditions of this Agreement. In the event that Town elects to terminate Contractor for cause as provided for in this Section, and Town's termination for cause is later determined by a court of competent jurisdiction to be improper, or in any other way wrongful or in breach of this Agreement, the termination will be automatically deemed converted to one for Convenience, and Contractor shall solely be paid and Contractor's damages are solely limited to the compensation Contractor would be entitled to pursuant to subparagraph (B) of this Section.
- D. **Termination for Lack of Funds.** In the event the funds to finance the Work under this Agreement become unavailable or other funding source applicable, Town may provide Contractor with thirty (30) days written notice of termination. Nothing in this Agreement shall be deemed or construed to prevent the parties from negotiating a new Agreement in this scenario. In the event that Town elects to terminate Contractor for lack of funds as provided for in this Section, and Town's termination for lack of funds is later determined by a court of competent jurisdiction to be improper, or in any other way wrongful or in breach of this Agreement, the termination will be automatically deemed converted to one for Convenience, and Contractor shall solely be paid and Contractor's damages are solely limited to the compensation Contractor would be entitled to pursuant to subparagraph (B) of this Section.
- E. **Immediate Termination by Town.** In addition to any other grounds stated herein, Town, in its sole discretion, may terminate this Agreement immediately upon the occurrence of any of the following events:
1. Contractor's violation of the Public Records Act;
  2. Contractor's insolvency, bankruptcy or receivership;
  3. Contractor's violation or non-compliance with Section 11 of this Agreement;
  4. Contractor's failure to maintain any Insurance required by Section 6 of this Agreement; or
  5. Contractor's violation of Section 19 of this Agreement.

**Section 19: Public Entity Crimes Information Statement**

Pursuant to Florida Statutes, Section 287.133: "A person or affiliate who has been placed on the convicted vendor list following a conviction for public entity crime may not submit a bid on a contract to provide any goods or services to a public entity, may not submit a bid on a contract with a public entity for the construction or repair of a public building or public work, may not submit bids on leases of real property to public entity, may not be awarded or perform work as a contractor, supplier, subcontractor, or consultant under a contract with any public entity, and may not transact business with any public entity in excess of the threshold amount provided in Section 287.017, for CATEGORY TWO for a period of 36 months from the date of being placed on the convicted vendor list." Violation of this section by Contractor shall result in Town's immediate termination of this Agreement.

**Section 20: Use of Awarded Bid by Other Governmental Units**

Contractor agrees that this Agreement may be utilized by other governmental entities or units to provide the specified services. Town does not become obligated in any way, to pay for or become, in any way, responsible or liable for Contractor's provision of Work or services to any other governmental unit.

**Section 21: Change Orders and Modification of Agreement**

Town and Contractor may request changes that would increase, decrease or otherwise modify the Scope of Work to be provided under this Agreement. Such changes only become part of this Agreement and increase, decrease or otherwise modify the Work or the Contract Price under this Agreement if evidenced by a written Change Order executed by Town and Contractor, with the same formality and of equal dignity associated with the original execution of the Agreement.

**Section 22: No Waiver of Rights**

Neither the Town's review, approval or payment for any of the Work required under this Agreement shall be construed to operate as a waiver of any of Town's rights under this Agreement or of any causes of action arising out Contractor's performance of the Work under this Agreement, and Contractor shall be and remain liable to the Town for all damages to the Town caused by the Contractor's negligent or improper performance of any of the Work furnished under this Agreement, irrespective of the Town's review, approval or payment for any of the Work under this Agreement. The rights and remedies of the Town provided for under this Agreement are in addition to all other rights and remedies provided to Town by law.

**Section 23: Jurisdiction and Venue**

The exclusive venue for any litigation arising from or relating to the Agreement shall be in a court of competent jurisdiction in the 17<sup>th</sup> Judicial Circuit in and for Broward County, Florida. This Agreement shall be governed by the substantive laws of the State of Florida.

**Section 24: WAIVER OF RIGHT TO JURY TRIAL**

**BY ENTERING INTO THIS AGREEMENT, CONTRACTOR AND TOWN HEREBY EXPRESSLY WAIVE ANY RIGHTS EITHER PARTY MAY HAVE TO A TRIAL BY JURY IN ANY CIVIL LITIGATION RELATED TO, OR ARISING OUT OF THIS AGREEMENT.**

**Section 25: Gender**

Wherever the context shall so require, all words herein in the masculine gender shall be deemed to include the feminine, and all words herein in the feminine gender shall be deemed to include the masculine. All singular words shall include the plural, and all plural words shall include the singular.

**Section 26: Time is of the Essence; Liquidated Damages**

Time is of the essence for all of Contractor’s obligations under this Agreement. The Town will be entitled to Liquidated Damages as set forth at Section 2.4.2.

**Section 27: Days**

The terms “days” as referenced in this Agreement shall mean consecutive calendar days.

**Section 28: Written Mutual Agreement**

This Agreement is binding upon the parties hereto, their successors and assigns, and replaces and supersedes any and all prior agreements or understanding between the parties hereto whether written or oral which are merged herein.

**Section 29: No Amendment or Waiver**

This Agreement may not be changed, altered or modified except by an instrument in writing signed by all parties hereto, with the same formality and of equal dignity as the execution of this Agreement prior to the initiation of any Work reflecting such change.

**Section 30: Severability**

In the event any term or provision of this Agreement shall be determined by appropriate judicial authority to be illegal or otherwise invalid, such provision shall be given its nearest legal meaning so as to remain in full force and effect, or be deemed severed from the Agreement so as not to affect the validity or enforceability of the remaining provisions of the Agreement. In case any one or more of the provisions of this Agreement shall be determined by appropriate judicial authority to be invalid, illegal or unenforceable, in any respect, the validity of the remaining provisions of this Agreement shall be in no way affected, prejudiced, or disturbed thereby.

**Section 31: Resolution of Disputes; Florida Statutes, Chapter 558 Not Applicable**

To prevent litigation, it is agreed by the parties hereto that Town Administrator shall solely decide all questions, claims, difficulties and disputes of, whatever nature, which may arise relative to this Agreement, including but not limited to, Contractor’s fulfillment of its obligations under this Agreement as to the character, quality, amount and value of any Work done and materials furnished, or proposed, to be done or furnished, under or by reason of, the Agreement. Further, to the extent required or permitted by the agreement between the Town and its design professional for this Project, the design professional shall have access to the Work, the right to conduct testing or inspections, to reject non-conforming work, and to review pay applications. The Town Administrator’s decision shall be reduced to writing, and a copy furnished to the Contractor within a reasonable time following submission to the Town of the question, claim, difficulty or dispute as referenced above. The Town Administrator’s decision shall be final and conclusive. Additionally, the parties understand and agree that Florida Statutes, Chapter 558 does not apply to this Agreement or the Work, and that the parties hereby “opt out” of the procedures set forth at Chapter 558.

**Section 32: Notice**

Whenever either party desires to give notice unto the other, such notice must be in writing by certified or registered mail, postage prepaid, return receipt requested, hand delivery, or facsimile transmission prior to 5:00 p.m. on the date of transmission (e.d.t. or e.s.t. as applicable), or via overnight express courier service. For the present, the parties designate the following individuals as the respective parties and places for giving of notice:

If to Town:

Town of Southwest Ranches  
Town Administrator  
13400 Griffin Road  
Southwest Ranches, Florida 33330

With a copy to:

Keith M. Poliakoff, Esq.  
Saul Ewing Arnstein & Lehr  
200 East Las Olas Boulevard  
Suite 1000  
Fort Lauderdale, Florida 33301

If to Contractor:

\_\_\_\_\_  
\_\_\_\_\_  
\_\_\_\_\_

**Section 33: Miscellaneous**

**A. Ownership of Documents.** Unless otherwise provided by law, any and all reports, surveys, and other data and documents provided or created in connection with this Agreement by Contractor and all persons or entities employed or otherwise retained by Contractor are and shall remain the property of Town. In the event of termination of this Agreement for any reason, any reports, photographs, surveys and other data and documents prepared by Contractor, whether finished or unfinished, shall become the property of Town and shall be delivered by Contractor to the Town Administrator within seven (7) days of termination of this Agreement for any reason. Any compensation due to Contractor shall be withheld until all documents are received by Town as provided herein.

**B. Audit and Inspection Rights and Retention of Records.** Town shall have the right to audit the books, records and accounts of Contractor that are related to this Agreement. Contractor shall keep such books, records, and accounts as may be necessary in order to record complete and correct entries related to this Agreement.

Contractor shall preserve and make available, at reasonable times for examination and audit by Town, all financial records, supporting documents, statistical records, and any other documents pertinent to this Agreement for the required retention period of the Florida Public Records Act (Chapter 119, Florida Statutes), if applicable, or, if the Florida Public Records Act is not applicable, for a minimum period of three (3) years after expiration or earlier termination of this Agreement, unless Contractor is notified in writing by Town of the need to extend the retention period. Such retention of such records and documents shall be at Contractor's sole expense. If any audit has been initiated and audit findings have not been resolved at the end of the retention period or three (3) years, whichever is longer, the books, records, and accounts shall be retained until resolution of the audit findings. If the Florida Public Records Act is determined by Town to be applicable to Contractor's records, Contractor shall comply with all requirements thereof.

However, no confidentiality or non-disclosure requirement of either federal or state law shall be violated by Contractor. Any incomplete or incorrect entry in such books, records, and accounts shall be a basis for Town's disallowance and recovery of any payment upon such entry. In addition, Contractor shall respond to the reasonable inquiries of successor Contractors and allow successor Contractors to receive working papers relating to matters of continuing significance. In addition, Contractor shall provide a complete copy of all working papers to the Town, prior to final payment by the Town under this Agreement.

- C. **Independent Contractor.** Contractor is an independent contractor of Town under this Agreement. Services provided by Contractor pursuant to this Agreement shall be subject to the supervision of Contractor. In providing such services, neither Contractor nor its agents shall act as officers, employees or agents of the Town. Personnel policies, tax responsibilities, social security and health insurance, employee benefits, purchasing policies and other similar administrative procedures applicable to the Work and services rendered under this Agreement shall be exclusively and solely those of Contractor. This Agreement shall not constitute or make Town and Contractor a partnership or joint venture.
- D. **Conflicts.** Neither Contractor nor its employees shall have or hold any continuing or frequently recurring employment or contractual relationship that is substantially antagonistic or incompatible with Contractor's loyal and conscientious exercise of judgment related to its performance under this Agreement. Contractor agrees that none of its officers or employees shall, during the term of this Agreement, serve as an expert witness against Town in any legal or administrative proceeding in which he or she is not a party, unless compelled by court process. Further, Contractor agrees that such persons shall not give sworn testimony or issue a report or writing, as an expression of his or her expert opinion, which is adverse or prejudicial to the interests of Town in connection with any such pending or threatened legal or administrative proceeding. The limitations of this section shall not preclude Contractor or any other persons from representing themselves in any action or in any administrative or legal proceeding.

In the event Contractor is permitted to utilize subcontractors to perform any services required by this Agreement, Contractor agrees to prohibit such subcontractors, by written contract, from having any conflicts within the meaning of this Section.

- E. **Contingency Fee.** Contractor warrants that it has not employed or retained any company or person, other than a bona fide employee working solely for Contractor, to solicit or secure this Agreement and that it has not paid or agreed to pay any person, company, corporation, individual or firm, other than a bona fide employee working solely for Contractor, any fee, commission, percentage, gift, or other consideration contingent upon or resulting from the award or making of this Agreement. For a breach or violation of this provision, Town shall have the right to terminate this Agreement without liability and, at its discretion, to deduct from the Agreement price or otherwise recover the full amount of such fee, commission, percentage, gift or consideration.
- F. **Materiality and Waiver of Breach.** Town and Contractor agree that each requirement, duty, and obligation set forth herein is substantial and important to the formation of this Agreement and, therefore, is a material term hereof. Town's failure to enforce any provision of this Agreement shall not be deemed a waiver of such provision or modification of this Agreement. A waiver of any breach of a provision of this Agreement shall not be deemed a waiver of any subsequent breach and shall not be construed to be a modification of the terms of this Agreement.

- G. Joint Preparation.** Town and Contractor both acknowledge that they have sought and received whatever competent advice and legal counsel as was necessary for them to form a full and complete understanding of all rights and obligations herein and that the preparation of this Agreement has been their joint effort. The language agreed to herein express their mutual intent and the resulting document shall not, solely as a matter of judicial construction, be construed more severely against one of the parties than the other.
- H. Drug-Free Workplace.** Contractor shall maintain a drug-free workplace.
- I. Headings.** Headings are for convenience of reference only and shall not be considered in any interpretation of this Agreement.
- J. Binding Authority.** Each person signing this Agreement on behalf of either party individually warrants that he or she has full legal power to execute this Agreement on behalf of the party for whom he or she is signing, and to bind and obligate such party with respect to all provisions contained in this Agreement.
- K. Truth-in-Negotiation Certificate.** Signature of this Agreement by Contractor shall act as the execution of a truth-in-negotiation certificate stating that wage rates and other factual unit costs supporting the compensation of this Agreement are accurate, complete, and current at the time of contracting.

**[Signatures on next page]**

TOWN OF SOUTHWEST RANCHES, FLORIDA  
DYKES ROAD DRAINAGE AND WATER QUALITY PROJECT - REBID  
IFB No. 18-003

---

**IN WITNESS WHEREOF**, the parties have made and executed this Agreement on the respective dates under each signature: \_\_\_\_\_, and the TOWN OF SOUTHWEST RANCHES, signing by and through its Mayor duly authorized to execute same by Council action on the \_\_\_ day of \_\_\_\_\_ 2018.

**WITNESSES:**

\_\_\_\_\_  
\_\_\_\_\_

**CONTRACTOR:**

By: \_\_\_\_\_  
\_\_\_\_\_, \_\_\_\_\_ (title)  
\_\_\_ day of \_\_\_\_\_ 201\_

**TOWN OF SOUTHWEST RANCHES**

By: \_\_\_\_\_  
Doug McKay, Mayor  
\_\_\_ day of \_\_\_\_\_ 201\_

By: \_\_\_\_\_  
Andrew D. Berns, Town Administrator  
\_\_\_ day of \_\_\_\_\_ 201\_

**ATTEST:**

\_\_\_\_\_  
Russell Muñiz, Assistant Town Administrator/Town Clerk

**APPROVED AS TO FORM AND CORRECTNESS:**

\_\_\_\_\_  
Keith M. Poliakoff, Town Attorney

**EXHIBIT “B”**

ITEM NOTES AND TECHNICAL SPECIFICATIONS

[NOTE: “OWNER” AS USED HEREIN SHALL MEAN THE TOWN]

**ITEM NOTES**

**GENERAL**

All Items listed in the Bid Proposal Form shall be considered as sufficient to complete the work in accordance with the plans and specifications. Any portion of the work not listed in the Bid Proposal Form shall be deemed to be a part of the item which it is associated with and shall be included in the cost of the unit shown on the Bid Proposal Form and the total lump sum price for the project. Payment for the units shown on the Bid Proposal Form shall be considered to include the furnishing of all labor, equipment, materials and testing necessary to complete the work in place.

The contract for this project is a lump sum contract. Unit prices shall be used for the purposes of bid evaluation, progress payments and to determine the cost of change orders resulting from changes to the design.

The Bidder/Contractor is responsible to verify all quantities listed in the Bid Proposal Form. The field measurement of quantities will not affect the lump sum contract price.

**BASE BID ITEMS (PHASE I)**

**ITEM 1 – GENERAL CONDITIONS**

The work covered by this item shall include, but not be limited to, pre-development costs; overhead costs; vehicles; bonds; insurance; licenses; permit compliance; staffing; compliance with safety requirements; first aid; scheduling; QA/QC; communications; material delivery costs; rentals; and administrative costs. This item shall also include the Contractor’s responsibility to submit for and to obtain a construction permit from the Town of Southwest Ranches.

**ITEM 2 - MOBILIZATION**

The work covered by this item shall include, but not be limited to, the mobilization of Contractor’s personnel, equipment and supplies to the project site; the establishment of the Contractor’s staging area, temporary facilities, grading, securing, and restoration of staging area; pre-work inspection and documentation; and all other costs incurred for activities which must be performed prior to beginning the work under this contract; and the removal of the Contractor’s equipment, supplies, excess materials, and cleanup of the construction site, as needed to complete the work. The staging area for this project shall be limited to the area of the Calussa Corners property as designated by the Town of SW Ranches or the public right-of-way for Dykes Road.

**ITEM 3 – STRIP AND STOCKPILE MUCK**

The work covered by this item shall include, but not be limited to, the removal of all grass, tree stumps, and surface materials within the limits of construction to afford construction of the proposed canal, filter marsh, maintenance easement areas, slopes, grading, drainage culverts, drainage structures, manholes, headwalls or associated piping as needed to complete the work. This item shall also include the stripping and stockpiling of the top layer of muck within the limits of the canal excavation and filter marsh as indicated in the Contact Documents. The approximate limits and



depth of the muck is identified in the soil boring report. The muck shall be stockpiled adjacent to the canal maintenance area for future use within the filter marsh and landscape berm.

Any excess materials, trash, debris, etc. shall be properly disposed in an approved location in accordance with contract documents.

**ITEM 4 – EXCAVATE AND GRADE CANAL**

The work covered by this item shall include, but not be limited to, the excavation and grading of the canal in accordance with the contract documents; including, but not limited to, excavation and grading to the canal design section, filling and grading of the canal maintenance areas, sloping to match proposed and existing grades, seeding and mulching, temporary watering, and the disposal of all excess, clean fill material from the property. In addition, this item shall include the submittal of as-built cross-sections of the canal to the Owner and to SBDD in accordance with SBDD criteria.

**ITEM 5 – EXCAVATE AND GRADE FILTER MARSH**

The work covered by this item shall include, but not be limited to, the excavation and grading of the filter marsh in accordance with the contract documents; including, but not limited to, excavation and grading to the filter marsh design section, filling and grading of the upland planting strip, sloping to match existing grades, seeding and mulching, temporary watering, and the disposal of all excess fill material from the property. This item shall also include the placement of 2 feet of muck along the bottom of the filter marsh in accordance with the contract documents. In addition, this item shall include the submittal of as-built cross-sections of the filter marsh to the Owner and to SBDD in accordance with SBDD criteria.

**ITEM 6 – INSTALL TWIN 48” RCP**

The work covered by this item shall include the complete, in-place installation of the twin 48” reinforced concrete pipe (RCP) in accordance with the contract documents including, but not limited to, materials, shop drawings, surveying, excavation, dewatering, trench stabilization, protection of existing utilities/irrigation lines, bedding, backfill, grading, compaction, testing, lamping, and restoration, as needed to complete the work. The following density tests shall be required: a total of one (1) test per pipe, per lift for the backfill material for the twin 48” RCP within the Dykes Road right-of-way. In addition, this item shall include the submittal of as-builts of the twin 48” RCP to the Owner and to SBDD in accordance with SBDD criteria.

**ITEM 7 – INSTALL 24” HDPE**

The work covered by this item shall include the complete, in-place installation of the 24” High Density Polyethylene Pipe (HDPE) in accordance with the contract documents including, but not limited to, materials, shop drawings, surveying, excavation, dewatering, trench stabilization, protection of existing utilities/irrigation lines, bedding, backfill, grading, compaction, testing, lamping, and restoration, as needed to complete the work. The following density tests shall be required: a total of two (2) tests per lift for the backfill material. In addition, this item shall include the submittal of as-builts of the twin 48” RCP to the Owner and to SBDD in accordance with SBDD criteria.

**ITEM 8 – INSTALL FABRICFORM REVETMENT HEADWALL**

The work covered by this item shall include the complete, in-place installation of the FabricForm Revetment headwall in accordance with the contract documents including, but not limited to, materials, shop drawings, surveying, excavation, dewatering, trench stabilization, protection of existing utilities/irrigation lines, grading, concrete, backfill, compaction, testing, restoration, inspections, and as-builts as needed to complete the work.

**ITEM 9 – REMOVE EXISTING STRUCTURE AND INSTALL 5’ DIAMETER DRAINAGE INLET**

The work covered by this item shall include the removal and disposal of the existing catch basin and the complete, in-place installation of the 5-foot diameter drainage structure in accordance with contract documents including, but not limited to, materials, shop drawings, pre-casting, frame and cover, reconnection of existing 18” CMP to the new structure, concrete collar/top slab, surveying, excavation, dewatering, trench stabilization, protection of existing utilities/irrigation lines, bedding, leveling, grouting, brick, mud work, testing, inspections, and as-builts as needed to complete the work. The Frame and Grate for the drainage structures shall be a USF 4155-6210, or approved equal with a standard H-20 load grate. In addition, a 12” wide concrete apron shall be constructed around the structure.

**ITEM 10 – INSTALL 5’ DIAMETER MANHOLE WITH PRB**

The work covered by this item shall include the complete, in-place installation of the 5’ diameter manhole structure in accordance with contract documents including, but not limited to, materials, shop drawings, pre-casting, frame and cover, concrete collar/top slab, surveying, excavation, dewatering, trench stabilization, protection of existing utilities/irrigation lines, bedding, leveling, grouting, brick, mud work, testing, inspections, and as-builts as needed to complete the work. The cover for the manhole structure shall have an 8” thick concrete top slab with a 4’x 4’ Heavy Duty Aluminum Access Hatch – “H-20” Loading, Single Leaf Door, as manufactured by Thompson Fabricating LLC, O.A.E. The aluminum PRB shall be attached to the inside wall of the structure in accordance with the plans.

**ITEM 11 – INSTALL 48” PLUG**

The work covered by this item shall include the complete, in-place installation of a 48” concrete plug in accordance with contract documents, including, but not limited to, materials, excavation, dewatering, trench stabilization, protection of existing utilities/irrigation lines, grouting, brick, mud work, testing and inspections as needed to complete the work. The 48” plugs shall be watertight.

**ITEM 12 – CONSTRUCT ROADSIDE SWALE**

The work covered by this item shall include the complete, in-place construction of the roadside swale along Dykes Road in accordance with the contract documents including, but not limited to materials, surveying, excavation, grading, sloping, compaction, sod, and temporary watering as needed to complete the work. Refer to the construction plans for the limits of the swale work along Dykes Road.

**ITEM 13 – CONSTRUCT 50-FOOT BERM**

The work covered by this item shall include the complete, in-place construction of the 50-foot wide berm in accordance with the contract documents including, but not limited to materials, surveying, grading, sloping, compaction, seeding and mulching, and temporary watering as needed to complete

the work. The berm shall be constructed utilizing the excess muck that was stripped and stockpiled from the canal and filter marsh areas. There shall be no requirement to import any additional material in order to construct the 50-foot landscape berm. The final width, length and/or height of the berm shall be adjusted in order to ensure that the total volume of material used to construct the berm matches the excess volume of material available within the on-site stockpile areas.

#### ITEM 14 – RESTORATION

The work covered by this item shall include the complete restoration of the project limits in accordance with the contract documents including, but not limited to, materials, surveying, backfill, disposal of excess materials, top soil, grading, compaction, sod, seeding and mulching, and temporary watering as needed to complete the work. This work item shall also include the complete restoration of any asphalt, fences or landscape features impacted by the Contractor's work. The restoration work covered under this Bid Item is above and beyond the restoration work that may be included under any other Bid Item.

#### ITEM 15 - EROSION/POLLUTION CONTROL

- A. The work covered by this item shall include, but not be limited, to all actions, installations, precautions and measures necessary to comply with all applicable government regulations related to the erosion of soil or vegetation or impacts on the water quality of any body of water.
- B. This item shall include all costs and measures necessary to comply with all dewatering regulations.
- C. This item shall include sweeping and otherwise cleaning the haul routes including dust control.
- D. The Contractor shall utilize, as appropriate, silt fences, turbidity barriers, best management practices and other necessary measures to control erosion as specified in Florida Department of Transportation Standard Index Nos. 102 and 103.

#### ITEM 16 – MAINTENANCE OF TRAFFIC

The work covered by these items shall include, but not be limited to the preparation, set-up, and implementation of a Maintenance of Traffic Plan, as applicable. This shall apply to any proposed lane closures as required to perform and complete the work.

The Contractor shall be required to submit a Maintenance of Traffic (MOT) Plan to SBDD, Broward County Traffic Engineering Division (BCTED) and the Town of Southwest Ranches for approval, prior to starting the work, as applicable.

This item shall include any flag persons, signage, barricades, barriers or other provisions that are required to meet the requirements for the MOT. If necessary, the Contractor shall employ the services of a registered professional engineer to prepare the MOT Plan and/or assist in the Contractor in the implementing the MOT Plan.

## **FILTER MARSH SPECIFICATIONS NOTES**

### **Alternate Bid I**

#### **PART 1 – GENERAL**

##### **1.1 SUMMARY**

- A. The scope of work includes all labor, materials, appliances, tools, equipment, facilities, transportation and services necessary for furnishing, delivery, and installation of plant material as specified herein, including, but is not limited to, the following:
1. Locate, purchase, deliver and install all specified plants.
  2. Water all specified plants.
  3. Mulch and stake plants as specified.
  4. Clean up and disposal of all excess and surplus material.
  5. Maintenance of all specified plants until final completion, and optionally, through the warranty period, if needed in order to maintain plant warranty in full force and effect.
  6. Plant warranty.

##### **1.2 REFERENCES**

- A. The following documents, specifications and standards are incorporated herein by reference and form a part of the specification. In the event that the requirements of any of the following referenced standards and specifications conflict with each other the more stringent requirement shall prevail or as determined by the Owners Representative.
1. ANSI Z60.1 American Standard for Nursery Stock, most current edition.
  2. ANSI A 300 – Standard Practices for Tree, Shrub and other Woody Plant Maintenance, most current edition and parts.
  3. Florida Grades and Standards for Nursery Stock, current edition (Florida Department of Agriculture, Tallahassee FL).

##### **1.3 PROTECTION OF WORK, PROPERTY AND PERSON**

- A. The Contractor shall adequately protect the work, adjacent property, and the public, and shall be responsible for any damages or injury due to his/her actions.

##### **1.4 DEFINITIONS**

All terms in this specification shall be as defined in the “Glossary of Arboricultural Terms” or as modified below.

- A. Defective plant: Any plant that fails to meet the plant quality requirement of this specification.
- B. Healthy: Plants that are growing in a condition that expresses leaf size, crown density, color; and with annual growth rates typical of the species and cultivar’s horticultural description, adjusted for the planting site soil, drainage and weather conditions.
- C. Maintenance: Actions that preserve the health of plants after installation and as defined in this specification.
- D. Maintenance period: The time period, as defined in this specification, which the Contractor is to provide maintenance.

TOWN OF SOUTHWEST RANCHES, FLORIDA  
DYKES ROAD DRAINAGE AND WATER QUALITY PROJECT - REBID  
IFB No. 18-003

---

- E. Shrub: Woody plants with mature height approximately less than 15 feet.
- F. Stem: The trunk of the tree or stem of plant.
- G. Substantial Completion Acceptance: The date at the end of the Planting, where the Owner's Representative accepts that all work in these sections is complete and the Warranty period has begun. This date may be different than the date of substantial completion for the other sections of the project.

1.5 PRE-CONSTRUCTION CONFERENCE

Schedule a pre-construction meeting with the Owner's Representative at least seven (7) days before beginning planting work to review any questions the Contractor may have regarding the work.

1.6 OBSERVATION OF THE WORK/CORRECTION

A. The Owner's Representative shall be informed of the progress of the work so the work may be observed at the following key times in the construction process. The Owner's Representative shall be afforded sufficient time to schedule visit to the site. Failure of the Owner's Representative to make field observations shall not relieve the Contractor from meeting all the requirements of this specification.

1. COMPLETION OF THE PLANT LAYOUT STAKING: Review of the plant layout.
2. PLANT QUALITY: Review of plant quality at the time of delivery and prior to installation. Review tree quality prior to unloading where possible, but in all cases prior to planting.
3. COMPLETION OF THE PLANTING: Review the completed planting.

B. Rejected materials shall be immediately removed from the site and replaced at the Contractor's expense.

1.7 QUALITY ASSURANCE

A. Contractor's Quality Assurance Responsibilities: The Contractor is solely responsible for quality control of the work.

1. Installer Qualifications: The installer shall be a firm having successful experience of a scope similar to that required for the work, including the handling and planting of trees and plant material, installation and maintenance of plantings, and interpretation of planting plans.

B. Substantial Completion Acceptance - Acceptance of the work prior to the start of the warranty period:

1. Once the Contractor completes the installation of all plantings, the Owner's Representative will observe the work for conformance to specifications. Any plants that are deemed defective shall not be accepted.

C. Once the Owner's Representative has acknowledged the date of Substantial Completion Acceptance in writing, warranty and plant maintenance period (if included) shall begin.

1.8 PLANT WARRANTY

A. Plant Warranty shall begin on the date of Substantial Completion Acceptance and continue for 1 year for all plant material.

1. The Owner's Representative shall make the final determination if plants meet these specifications or that plants are defective. The Contractor agrees to replace defective work and defective plants.
2. Plants determined to be defective shall be removed immediately upon notification by the Owner's Representative and replaced without cost to the Owner.
3. Any work required by this specification or the Owner's Representative during the progress of the work, to correct plant defects including the removal of roots or branches, or planting plants that have been bare rooted during installation to observe for or correct root defects shall not be considered as

TOWN OF SOUTHWEST RANCHES, FLORIDA  
DYKES ROAD DRAINAGE AND WATER QUALITY PROJECT - REBID  
IFB No. 18-003

---

grounds to void any conditions of the warranty. In the event that the Contractor decides that such remediation work may compromise the future health of the plant, the plant or plants in question shall be rejected and replaced with plants that do not contain defects that require remediation or correction.

4. The Contractor is exempt from replacing plants, after Substantial Completion Acceptance and during the warranty period, that are removed by others, lost or damaged due to occupancy of project, lost or damaged by a third party, vandalism, or any natural disaster.
  5. Replacements shall closely match adjacent specimens of the same species. Replacements shall be subject to all requirements stated in this specification. Make all necessary repairs due to plant replacements. Such repairs shall be done at no extra cost to the Owner.
  6. The warranty of all replacement plants shall extend for an additional one-year period from the date of their acceptance after replacement. In the event that a replacement plant is not acceptable during or at the end of the said extended warranty period, the Owner's Representative may elect one more replacement items or credit for each item. These tertiary replacement items are not protected under a warranty period.
- B. End of Warranty Final Acceptance - Acceptance of plants at the end of the warranty period.
1. At the end of the warranty period, the Owner's Representative shall observe all warranted work, upon written request of the Contractor. The request shall be received at least two calendar days before the anticipated date for final observation.
  2. End of Warranty Final Acceptance will be given only when all the requirements of the work under this specification have been met.

1.9 PLANT SUBSTITUTIONS FOR PLANTS NOT AVAILABLE

- A. Submit all requests for substitutions of plant species, or size to the Owner's Representative, for approval, prior to purchasing the proposed substitution.

**PART 2 – PRODUCTS**

2.1 PLANTS: GENERAL

- A. Standards and measurement: Provide plants of quantity, size, genus, species, and variety or cultivars as shown and scheduled in contract documents.
1. All plants including the root ball dimensions or container size to trunk caliper ratio shall conform to ANSI Z60.1 "American Standard for Nursery Stock" latest edition or Florida Grades and Standards for Nursery Stock, current edition (Florida Department of Agriculture, Tallahassee FL).
  2. Plants larger than specified may be used. Use of such plants shall not increase the contract price. If larger plants are accepted the root ball size shall be in accordance with ANSI Z-60.1. Larger plants may not be acceptable if the resulting root ball does not conform to required specifications.
- B. Proper Identification: All plants shall be true to name as ordered or shown on planting plans and shall be labeled individually or in groups by genus, species, variety and cultivar.
- C. Plant Quality:
1. **General:**
    - a. Plants shall be healthy with the color, shape, size and distribution of trunk, stems, branches, buds and leaves normal to the plant type specified. Tree quality above the soil line shall comply with the Florida Grades and Standards, tree grade Florida Fancy or Florida #1)  
Plant roots shall be normal to the plant type specified. Root observations shall take place without impacting plant health.
      - 1.) Root distribution shall be uniform throughout the root ball, and growth shall be appropriate

for the species.

- 2.) The root collar shall be within the upper 2 inches of the substrate/soil.
- 3.) The root system shall be reasonably free of stem girdling roots over the root collar or kinked roots from nursery production practices.

**D. CONTAINER PLANTS**

1. Provide plants that are established and well rooted in removable containers.
2. Container class size shall conform to ANSI Z60.1 for container plants for each size and type of plant.

**E. BARE ROOT PLANTS**

1. Plants shall be well-rooted and healthy.
2. Root spread dimensions shall conform to ANSI Z60.1 for nursery grown bare root plants for each size and type of plant.
3. Prior to shipping to the job site, the root system should be treated with hydrogel and water, placed in a plastic bag and secured snugly around the stem.

**2.2 PLANTING SOIL**

- A. Planting Soil as used in this specification means the soil at the planting site within the planting hole.

**2.3 MULCH**

- A. Mulch shall be Florimulch or approved equal to be applied to trees and shrubs within the upland buffer area.

**2.4 TREE STAKING AND GUYING**

- A. Tree staking shall be below ground anchorage systems, constructed of 2 x 2 dimensional untreated wood securing (using 3 inch long screws) horizontal portions to 4 feet long vertical stakes driven straight into the ground outside the root ball.

**PART 3 – EXECUTION**

**3.1 SITE EXAMINATION**

- A. Examine the site conditions. Notify the Owner's Representative in writing of any unsatisfactory conditions.

**3.2 DELIVERY, STORAGE AND HANDLING**

- A. Protect materials from deterioration during delivery and storage. Adequately protect plants from drying out, exposure of roots to sun, wind or extremes of heat and cold temperatures. Provide adequate water to the root ball package during the shipping and storage period.
- B. Provide protective covering over all plants during transporting.

**3.3 LAYOUT AND PLANTING SEQUENCE**

- A. Relative positions of all plants and trees are subject to approval of the Owner's Representative.
- B. Notify the Owner's Representative prior to layout. Layout upland tree and shrub locations. Place plants above surface at planting location or place a labeled stake at planting location. For Transitional Slope and Filter Marsh, layout bed lines with paint for the Owner's Representative's approval. Secure the Owner's Representative's acceptance before digging and start of planting work.
- C. Plant trees before other plants are installed.

TOWN OF SOUTHWEST RANCHES, FLORIDA  
DYKES ROAD DRAINAGE AND WATER QUALITY PROJECT - REBID  
IFB No. 18-003

---

3.4 INSTALLATION OF PLANTS: GENERAL

- A. Observe each plant after delivery and prior to installation for damage of other characteristics that may cause rejection of the plant. Notify the Owner's Representative of any condition observed.
- B. No more plants shall be distributed about the planting bed area than can be planted and watered on the same day.
- C. The root system of each plant shall be observed by the Contractor, at the time of planting to confirm that the roots meet the requirements for plant root quality.
  - 1. Modifications, at the time of planting, needed to meet the specifications for removal of stem girdling roots and circling roots may make the plant unstable or stress the plant to the point that the Owner's Representative may choose to reject the plant rather than permitting the modification.
  - 2. Any modifications required by the Owner's Representative to make the root system conform to the plant quality standards shall not be considered as grounds to modify or void the plant warranty.
  - 3. The resulting root ball may need additional staking and water after planting. The Owner's Representative may reject the plant if the root modification process makes the tree unstable or if the tree is not healthy at the end of the warranty period. Such plants shall still be covered under the warranty.
- D. Excavate the planting hole to the depth of the root ball measured after any root ball modification to correct root problems. For trees and shrubs the soil around the root ball shall be loosened a minimum of 3 times the diameter of the root ball at the surface sloping to 2 times the diameter of the root ball at the depth of the root ball.
- E. The Owner's Representative may request that plants orientation be rotated when planted based on the form of the plant.
- F. Backfill the space around the root ball around base and sides of ball in six-inch (6") lifts. Lightly tamp each lift using foot pressure or hand tools to settle backfill, support the tree and eliminate air pockets or voids. DO NOT over compact the backfill.
  - 1. Water the planting hole being backfilled and allow water to soak in, settle, and drain from the soil before finishing the planting.
- G. All trees shall have a 4 inch high, level berm of Planting Soil around the outside of the root ball to retain water. Tamp the berm to reduce leaking and erosion of the saucer.
- H. Thoroughly water the Planting Soil and root ball immediately after planting.
- I. Remove all nursery plant identification tags and ribbons.
- J. BARE ROOT PLANTS
  - 1. Dig the planting hole to the diameter of the spread of the roots to a depth in the center that maintains the root collar at the elevation of the surrounding finished grade and slightly deeper along the edges of the hole.
  - 2. Spread roots out radial to the trunk in the prepared hole making the hole wider where needed to accommodate long roots. Root tips shall be directed away from the trunk.
  - 3. Maintain the trunk plumb while backfilling soil around the roots.
  - 4. Lightly tamp the soil around the roots to eliminate voids and reduce settlement.
- K. SHRUBS
  - 1. Dig planting holes sufficiently large enough to insert the root system without deforming the roots.



Set the top of the root system at the grade of the soil.

2. Press soil to bring the root system in contact with the soil.
3. Spread any excess soil around in the spaces between plants.
4. Water each planting area as soon as the planting is completed. Apply additional water to keep the soil moisture at the required levels. Do not over water.

### 3.5 MULCHING OF PLANTS

- A. For upland shrubs, apply mulch to the plant or bed, being sure not to cover the tops of the plants with or the tops of the root ball with mulch.
- B. For trees planted in lawn areas, apply 4 inches of mulch before settlement, covering the entire planting bed area. Install no more than 1 inch of mulch over the top of the root balls of all plants. The mulch shall extend to a 5 foot radius around the tree or shrub.
- C. Mulch shall be moistened and lightly compacted at the time of application.

### 3.6 WATERING

- A. The Contractor shall be fully responsible to ensure that adequate water is provided to all plants from the point of installation until the date of Substantial Completion Acceptance.

### 3.7 PROTECTION DURING CONSTRUCTION

- A. The Contractor shall protect planting from damage during installation until Substantial Completion Acceptance. Treat, repair or replace damaged work immediately.
- B. Damage done by the Contractor, or any of their sub-contractors to existing or installed plants, or any other parts of the work or existing features to remain, including roots, trunk or branches of large existing trees, soil, paving, utilities, lighting, irrigation, other finished work and surfaces including those on adjacent property, shall be cleaned, repaired or replaced by the Contractor at no expense to the Owner. The Owner's Representative shall determine when such cleaning, replacement or repair is satisfactory.

### 3.8 PLANT MAINTENANCE PRIOR TO SUBSTANTIAL COMPLETION ACCEPTANCE

During the project work period and prior to Substantial Completion Acceptance, the Contractor shall provide maintenance for all plants including: watering, weeding, mulching, removal of dead material, maintenance of staking material, resetting plants to proper grades and upright position.

### 3.9 MAINTENANCE DURING THE WARRANTY PERIOD BY THE PLANT INSTALLER

- A. Following substantial and final completion, if needed to keep the plant warranty in full force and effect, Contractor may opt to provide maintenance for all plantings to keep the plants in a healthy state and the planting areas clean and neat, including
  1. Watering; Provide sufficient water required to keep soil within and around the root balls at optimum moisture content for plant growth.
  2. Restore plants: Reset any plants that have settled or are leaning as soon as the condition is noticed.
  3. Maintain plant staking.
  4. Weed control: Keep all beds free of weeds. Hand-remove all weeds. Chemical weed control is permitted with the approval of the Owner's Representative.
  5. Plant replacement: Replace any plants that are defective as determined by the Owner's Representative as soon as the plant decline is obvious. Plants that become defective during the maintenance period shall be covered and replaced under the warranty provisions.
- B. If Contractor elects for the no-maintenance option during the warranty period, the owner's maintenance

TOWN OF SOUTHWEST RANCHES, FLORIDA  
DYKES ROAD DRAINAGE AND WATER QUALITY PROJECT - REBID  
IFB No. 18-003

---

shall not void any conditions of the warranty.

**ALTERNATE II ITEMS (PHASE II)**

**ITEM 1 – STRIP AND STOCKPILE MUCK**

The work covered by this item shall include, but not be limited to, the removal of all grass, tree stumps, asphalt, and surface materials within the limits of construction to afford construction of the proposed canal, maintenance easement areas, slopes, grading, drainage culverts, headwalls or associated piping as needed to complete the work. This item shall also include the stripping and stockpiling of the top layer of muck within the limits of the canal excavation as indicated in the Contact Documents. The approximate limits and depth of the muck is identified in the soil boring report. The muck shall be stockpiled adjacent to the canal maintenance area for future use within the landscape berm. Any excess materials, trash, debris, asphalt, etc. shall be properly disposed in an approved location in accordance with contract documents.

**ITEM 2 – EXCAVATE AND GRADE CANAL**

The work covered by this item shall include, but not be limited to, the excavation and grading of the canal in accordance with the contract documents; including, but not limited to, excavation and grading to the canal design section, filling and grading of the canal maintenance areas, sloping to match proposed and existing grades, seeding and mulching, temporary watering, and the disposal of all excess, clean fill material from the property. In addition, this item shall include the submittal of as-built cross-sections of the canal to the Owner and to SBDD in accordance with SBDD criteria.

**ITEM 3 – GRADING**

The work covered by this item shall include, but not be limited to, the grading of the 20-foot stabilized path (service road) across the FPL easement area and the grading of the 20-foot stabilized path at the east end of the canal in accordance with contract documents, including but not limited to, filling of the access roads, grading, compaction, sloping to match existing grades, seeding and mulching, and temporary watering. The following density tests shall be required: a total of two (2) tests per lift for the fill material for each access road. In addition, this item shall include the submittal of as-builts of the access roads to the Owner and to SBDD in accordance with SBDD criteria.

**ITEM 4 – INSTALL TWIN 48” RCP**

The work covered by this item shall include the complete, in-place installation of the twin 48” reinforced concrete pipe (RCP) in accordance with the contract documents including, but not limited to, materials, shop drawings, surveying, excavation, dewatering, trench stabilization, protection of existing utilities/irrigation lines, bedding, backfill, grading, compaction, testing, lamping, and restoration, as needed to complete the work. The following density tests shall be required: a total of two (2) tests per pipe, per lift for the for the backfill material for the twin 48” RCP within the FPL easement area and east access road. In addition, this item shall include the submittal of as-builts of the twin 48” RCP to the Owner and to SBDD in accordance with SBDD criteria.

**ITEM 5 – INSTALL CONCRETE HEADWALL FOR TWIN 48” RCP**

The work covered by this item shall include the complete, in-place installation of the precast concrete headwall for the twin 48” RCP in accordance with the contract documents including, but not limited to, materials, shop drawings, surveying, excavation, dewatering, trench stabilization,

TOWN OF SOUTHWEST RANCHES, FLORIDA  
DYKES ROAD DRAINAGE AND WATER QUALITY PROJECT - REBID  
IFB No. 18-003

---

protection of existing utilities/irrigation lines, bedding, backfill, leveling, grouting, brick, mud work, grading, compaction, testing, restoration, inspections, and as-builts as needed to complete the work.

**ITEM 6 – INSTALL 48” FLAP GATE**

The work covered by this item shall include the complete, in-place installation of the 48” flap gates in accordance with the contract documents including, but not limited to materials, shop drawings, surveying, dewatering, caulking, and mud work, testing and inspections as needed to complete the work. The 48” flap gates shall be attached to the east headwall for each of the 48” RCP culverts.

**ITEM 7 – INSTALL GUARDRAIL**

The work covered by this item shall include the complete, in-place installation of the guardrail in accordance with contract documents including, but not limited to, materials, shop drawings, surveying, excavation, grading, testing, inspections, and restoration, as needed to complete the work.

**ITEM 8 – INSTALL TYPE CRT END ANCHORS**

The work covered by this item shall include the complete, in-place installation of the Type CRT guard rail end anchors in accordance with contract documents including, but not limited to, materials, shop drawings, surveying, excavation, grading, testing, inspections, and restoration, as needed to complete the work.

**ITEM 9 – RESTORATION**

The work covered by this item shall include the complete restoration of the project limits in accordance with the contract documents including, but not limited to, materials, surveying, backfill, disposal of excess materials, top soil, grading, compaction, seeding and mulching and temporary watering as needed to complete the work. This work item shall also include the complete restoration of any asphalt, fences or landscape features impacted by the Contractor’s work. The restoration work covered under this Bid Item is above and beyond the restoration work that may be included under any other Bid Item.

**ITEM 10 - EROSION/POLLUTION CONTROL**

- A. The work covered by this item shall include, but not be limited, to all actions, installations, precautions and measures necessary to comply with all applicable government regulations related to the erosion of soil or vegetation or impacts on the water quality of any body of water.
- C. This item shall include all costs and measures necessary to comply with all dewatering regulations.
- C. This item shall include sweeping and otherwise cleaning the haul routes including dust control.
- D. The Contractor shall utilize, as appropriate, silt fences, turbidity barriers, best management practices and other necessary measures to control erosion as specified in Florida Department of Transportation Standard Index Nos. 102 and 103.

**ITEM 11 – MAINTENANCE OF TRAFFIC**

The work covered by these items shall include, but not be limited to the preparation, set-up, and implementation of a Maintenance of Traffic Plan, as applicable. This shall apply to any proposed lane closures as required to perform and complete the work.

The Contractor shall be required to submit a Maintenance of Traffic (MOT) Plan to SBDD, Broward County Traffic Engineering Division (BCTED) and the Town of Southwest Ranches for approval, prior to starting the work, as applicable.

This item shall include any flag persons, signage, barricades, barriers or other provisions that are required to meet the requirements for the MOT. If necessary, the Contractor shall employ the services of a registered professional engineer to prepare the MOT Plan and/or assist in the Contractor in the implementing the MOT Plan.

**TECHNICAL SPECIFICATIONS**

**SECTION 1 - GENERAL**

**I. APPLICABLE CODES**

**A. General**

All construction and materials shall conform to the standards and specifications of the Town of Southwest Ranches, South Broward Drainage District (SBDD), Broward County Traffic Engineering Division (BCTED), South Florida Water Management District (SFWMD) and all other local and national codes where applicable.

**B. Construction Safety**

All construction shall be done in a safe manner, specifically, the rules and regulations of the Occupational Safety and Health Administration (OSHA) and the Manual of Uniform Traffic Control Devices (MUTCD) shall be strictly observed.

**C. Trench Safety Act**

Contractor shall be solely responsible for compliance with the State of Florida Trench Safety Act, Florida Statutes Section 560, etc. No trenches shall be left open overnight or during weekends.

**D. Survey Data**

All elevations on the plans or referenced in the specifications are based on the National Geodetic Vertical Datum of 1929 (NGVD).

**II. EXISTING IMPROVEMENTS AND LANDSCAPING**

**A.** All trees, shrubs and other vegetation that must be removed to perform the work under this contract shall be disposed of off-site in a legal manner.

**B.** Other than those fences that are noted to be removed and disposed, all other fences that are removed must be reinstalled or replaced with the same type (thickness, color, material, size, etc.) of fence as was removed.

**C.** All wood, plastic, paper, metal and vegetation removed from the site shall be disposed by the Contractor outside the boundaries of this project in accordance with all applicable environmental regulations.

**D.** Irrigation systems and existing utility lines encountered by the Contractor are to be protected. Any damage to any irrigation system or existing utility line shall be repaired by the Contractor at his own expense.

III. CONTRACTOR'S PRECONSTRUCTION RESPONSIBILITIES

- A. Upon receipt of Notice of Award, the Contractor shall arrange a preconstruction conference with the Owner.
- B. The Contractor shall obtain a Sunshine Certification Number@ at least 48 hours prior to beginning any excavation. The Contractor shall be responsible for damage to any existing utilities for which he fails to request locations. He shall also be responsible for damage to any existing utilities for which he requests locations. The Contractor is to provide Certification number to the Owner prior to commencing any work.
- C. The Contractor shall verify the size, location, elevation and material of all existing utilities within the area of construction. If upon excavation, an existing utility is found to be in conflict with the proposed construction or to be of a size or material different from that shown on the Plans, the Contractor shall immediately notify the Owner. The Contractor shall hand dig in the vicinity of the existing irrigation or utility lines to minimize the potential for damage to those pipes.
- D. The Contractor shall be responsible for damage to any existing utilities, piping, etc. shown on the drawings, or for which he fails to request locations from the utility owner. He is responsible as well for damage to any existing utilities/piping that is properly located.
- E. Temporary Utilities – it shall be the Contractor's responsibility to arrange for or supply temporary water services, sanitary facilities, electricity, phones, etc. to his employees and subcontractors for their use during construction.
- F. Staging Area – the Contractor shall be able to make use of the area within Calussa Corners Park as designed by the Town of SW Ranches and the Dykes Road right-of-way area for staging of equipment and materials. It shall be the Contractor's responsibility to properly secure the staging area and to maintain the staging area in a neat and orderly manner. The Owner shall not be responsible for any damage, theft, displacement, or other incidents that may occur in the staging area or project site.  
The Contractor shall obtain approval from private property owners for the locations and use of all other staging areas or construction traffic access routes, beyond those areas identified in the contract documents.

IV. SURVEYS, LINES AND GRADES

The Contractor shall furnish all original and replacement surveys necessary for construction of the project, including detailed stake-out, line and grade stakes, and bench marks as required.

Prior to beginning construction, the Contractor shall provide the Owner with all information related to the survey bench mark(s) to be used by the Contractor including: location, source and identification number.

Contractor shall provide documentation of reference points being used for construction and confirmation that they are correct.

The Contractor shall not rely on scaling or measurements of line work, symbols, etc. on AutoCAD files or other computer files provided by the Owner or Engineer. The Contractor or Contractor's

Surveyor shall perform all required calculations, reviews, confirmations and other office work necessary to properly lay-out and/or as-built the project in accordance with the Contract Documents. As-built surveys shall be performed by a surveyor under contract to the Contractor. All as-built surveys that reflect work performed in accordance with the Contract Documents shall be included in the lump sum contract price. There will be no separate payment for providing the required stake-out, line and grade, bench marks, as-built drawings or other surveying work.

V. INSPECTIONS

The Contractor shall notify SBDD (954) 680-3337 at least 24 hours prior to the inspection of the following items:

- A. Tree removal and site clearing
- B. Canal Excavation
- C. Filter Marsh Excavation
- D. Twin 48" RCP
- E. 24" HDPE
- F. Headwalls
- G. Drainage structures: 5' diameter inlet, 5' diameter manhole, PRB, and concrete apron.
- H. 48" Flap Gates and Plugs
- I. Lamping: All piping is to be lamped, as determined by the SBDD Inspector.
- J. Grading: Site grading and swale grading approved prior to sodding.
- K. Restoration.
- L. Final: Participate with the Owner and SBDD in a Final Inspection of all work performed.

VI. SHOP DRAWINGS

- A. Prior to their construction or installation, shop drawings shall be submitted to and reviewed by the Owner for pipe material, drainage structures, headwalls, Fabric Form Revetment, PRB, and all other project components as appropriate or as directed by the Owner.
- B. Prior to submitting shop drawings to the owner, the Contractor shall review and approve the drawings and shall note in red, any deviations from the plans and specifications.

VII. PROJECT SITE

- A. During construction the project site, staging area, construction traffic routes, and all adjacent areas shall be maintained in a neat and clean manner. Upon final clean-up, the project site shall be left clear of all surplus material or trash and the paved areas shall be swept broom clean and washed down as directed by Owner.
- B. The Contractor shall restore or replace, when and as directed by Owner, any public or private property damaged or altered by his work, equipment, employees or those of his subcontractors to a condition at least equal to that existing immediately prior to the beginning of operations.



- C. The Contractor and Owner shall perform a pre-work inspection of the project area, staging area and construction traffic routes to review and document the existing conditions. Contractor shall be responsible to perform the level of review and documentation necessary
- D. to properly and adequately document the existing pre-work conditions. The pre-work inspection shall be the basis for the Owner to determine the extent of restoration/replacement that is required under these contract documents to restore/replace the project site, staging area, construction traffic access routes, and adjacent areas to a condition at least equal to that existing immediately prior to the beginning of operations.
- E. Where material or debris has washed into, flowed into, or been placed into water bodies, lakes, ditches, drains, catch basins, or elsewhere as a result of the Contractor's operations, such material or debris shall be removed and satisfactorily disposed of by the Contractor.
- F. No trenches shall be left open overnight or during weekends.

#### VIII. POLLUTION CONTROL

During the entire course of construction operations, the Contractor shall control and conduct such operations and institute maintenance procedures to prevent pollution of adjacent lands and surface waters and deposition of solids caused by either material runoff or pumped discharges from the construction area. The Contractor shall use turbidity screens or other best management practices that may be necessary to maintain water quality standards. Pollution Control measures shall apply to both the work area and the staging area, as applicable.

The Contractor shall submit a Notice of Intent to the Florida Department of Environmental Protection prior to starting construction.

The Contractor shall take all necessary measures to prevent dust and airborne sand from impacting adjacent properties. These measures may include watering and the application of calcium chloride or any other approved legal method.

The Contractor shall not receive any additional compensation for pollution control activities.

If any fines or penalties are incurred as a result of the Contractor's actions or inactions, the Contractor shall be fully and solely responsible for those fines or penalties whether they were levied against the Contractor, Owner or Engineer.

The Contractor shall apply for, secure and abide by the terms of a dewatering permit if any of his activities, or those of his subcontractors warrant a dewatering permit from any government agency. The Contractor shall pay for all costs associated with the dewatering permit under the total lump sum price for the project.

If any pollution of the land or water occurs, directly or indirectly, as a result of the Contractor's work, the Owner shall have the right, but not the obligation to clean up the pollution or to hire a company to clean up the pollution and to back charge the Contractor for the cost of the clean up. The Owner shall have the option to require the Contractor to reimburse him for the cost of such clean up or to deduct the cost from the Contractor's pay requests.

**IX. DISPOSAL OF WASTE MATERIALS AND DEBRIS**

Contractor shall remove from the job site, all demolition debris, waste materials and debris resulting from his construction activities in accordance with the Contract Documents. The Contractor shall provide all means of protecting the work area and other surrounding properties from any hazardous waste by methods approved by all governmental agencies having jurisdiction.

**X. SAFETY – LOSS CONTROL PROVISIONS**

The Contractor shall be responsible for providing safe and healthful working conditions for employees of the Contractor, subcontractors, the District, or its invitees. The Contractor shall initiate and maintain an accident prevention program which should include, but is not limited to, the following: establish and supervise programs for the education and training of employees in the recognition, avoidance, and prevention of unsafe conditions and acts.

The Contractor shall be responsible for providing first-aid services and medical care to all his employees. The Contractor shall be responsible for development and maintenance of an effective fire protection and prevention program at the job site throughout the construction, repair, alterations, or demolition work. The Contractor shall be responsible for requiring the wearing of appropriate personal protective equipment in all operations where there is exposure to hazardous conditions, including safety belts, lifelines and lanyards.

Nothing contained herein shall be construed to shift responsibility or risk of loss for injuries or damages sustained as a result of a violation of this section from the Contractor to the District and the Contractor shall remain solely and exclusively responsible for compliance with all safety requirements and for the safety of all person and property at the project site. Employees required to handle or use toxins, caustics, and other harmful substances shall be instructed regarding the safe handling and use, and be made aware of the potential hazards, personal hygiene, and personal protective measures required. All work shall meet and be in compliance with standards and regulations set forth by Occupational Safety and Health Administration (OSHA), Florida Department of Labor and Employment Security, and any and all other appropriate federal, state, local or District safety and health standards including, but not limited to OSHA, Excavation

**XI. PROJECT RECORD DRAWINGS**

- A. The Contractor shall maintain accurate and complete records of work items completed.
- B. All required density tests for the backfill shall be provided to the Engineer prior to placing the sod.

- C. All “as-built” information submitted to the Engineer shall be sufficiently accurate, clear and legible to satisfy the Engineer and any applicable reviewing agency that the information provides a true and accurate representation of the improvements constructed.
- D. As-built” information for the canal shall include full cross sections at a minimum 100-foot spacing. Cross-sections shall include back of maintenance areas, top-of-bank, edge of water, all grade breaks, and bottom of canal/filter marsh.
- E. As-built” information for the filter marsh shall include cross sections along the perimeter of the filter marsh at minimum 100’ spacings. Cross-sections shall include back of top of the upland planting strip, edge-of-water, bottom of the filter marsh and natural grade. In addition, the as-built information shall include as-built elevations of the bottom of the filter marsh on a minimum 50-foot grid.
- F. “As-built” information for the drainage improvements shall include horizontal locations and all piping and structures; rim and invert elevations; pipe crossing information; and all relevant physical features. The as-built information for the headwalls and endwall shall include cap elevations and invert elevations.
- G. All “as-built” information shall be certified by a registered land surveyor.

## XII. TESTING

All laboratory and density tests required for compliance with these specifications shall be performed by an independent testing laboratory under contract to and as directed by the Contractor, and acceptable to the Owner.

Contractor shall be responsible for arranging and obtaining and shall pay all costs associated with laboratory and density tests required for compliance with these specifications and required for Owner’s and Engineer’s acceptance of the Work.

The following material and density tests shall be required:

- Two (2) tests per lift for the fill material of the stabilized access roads.
- Two (2) tests per pipe, per lift for the backfill material over the twin 48” RCP within the Dykes Road right-of-way.
- Two (2) tests per pipe, per lift for the for the backfill material over the twin 48” RCP within the FPL easement area and the east access road.
- Two (2) tests per lift for the backfill material over the 24” HDPE.

There will be no separate payment for providing the required laboratory and density tests for this project.

## SECTION 2 - SITE WORK

### I. MAINTENANCE OF TRAFFIC (MOT)

#### General

The Contractor shall comply with all of the requirements of the Broward County Traffic Engineering Division (BCTED) and the Manual of Uniform Traffic Control Devices (MUTCD) at all times.

If the Contractor proposes to impact any local traffic as a result of any construction activities associated with this project, he shall be required to submit a Maintenance of Traffic (MOT) Plan to SBDD, the Town of Southwest Ranches and the Broward County Traffic Engineering Division (BCTED) for approval, prior to starting the work.

The lump sum price for this project shall include any and all provisions that are required for any and all MOT activities associated with the project and shall be included.

The Contractor shall comply with all of the requirements of the Broward County Traffic Engineering Division (BCTED) and the Town of Southwest Ranches at all times. Any impacts to local traffic shall require a Maintenance of Traffic Plan to be submitted and approved by SBDD, Town of Southwest Ranches and Broward County Traffic Engineering Division (BCTED).

### II. EARTHWORK

- A. All clean, surplus, excavated material shall be removed from the site by the Contractor.
- B. All muck shall be stockpiled on the project site and shall be used to construct the filter marsh and landscape berm. No muck is required to be removed from the site.
- C. Any wet excavated materials shall be drained before transporting the material on any public or private road.
- D. The Contractor shall take the necessary precautions to ensure that the transport of surplus fill over all roads over which fill is transported shall be kept clean of all sand, dust and rock. If necessary, the Owner may direct Contractor to clean and wash down roadways where the Contractor's hauling activities have deposited inordinate amounts of material on the roadways.
- E. All fill material to be placed within twenty four (24) inches of any proposed pipe on this project shall be not larger than twelve (12) inches in diameter.
- F. Backfill material for the canal maintenance areas and the stabilized access roads shall be suitable material with a minimum LBR of 40. No muck shall be used as backfill material for the canal maintenance areas or the stabilized access roads.

III. REINFORCED CONCRETE PIPE

A. Material

Reinforced concrete pipe (RCP) shall conform to ASTM C76, latest revision and shall be Class III, Wall B or C. All pipe shall have modified tongue and groove joints and have rubber gaskets unless otherwise specified.

B. Installation

1. Bedding and initial backfill over drainage pipes shall be stable sand or graded rock with no rock larger than 1 inch diameter. .
2. Backfill material under paved areas shall be compacted to 98% of the maximum density as determined by AASHTO T-180.
3. Backfill material under areas not to be paved shall be compacted to 95% of the maximum density as determined by AASHTO T -180.
4. Pipe shall be constructed with a uniform grade and line.
5. Backfill material within 24 inches of the surface shall be well graded granular material well tamped in layers not to exceed 6 inches.
6. The water elevation in the trench during the placement of pipe shall not be higher than the midpoint of the pipe.
7. In the event pipe joints do not meet Florida Department of Transportation criteria, the pipe shall be removed and reinstalled or repaired at the discretion of the Owner.

C. Damaged Pipe

1. Damaged pipe shall be accepted or rejected in accordance with the criteria of the Florida Department of Transportation.
2. All damaged pipe that is to be repaired, shall be repaired in accordance with the criteria of the Florida Department of Transportation.

D. Inspections

1. The final inspection shall include pumping down the pipes and maintaining that level for the duration of a lamping inspection to be conducted by the Owner's inspector.
2. The final inspection shall be considered satisfactory if, among other points, the pipes are clean. Clean shall be defined as the bottom of the culvert not containing more than 0.75 inches of mud in the bottom of the pipes.

IV. HIGH DENSITY POLYETHYLENE PIPE

A. Material

1. High Density Polyethylene Pipe (HDPE) shall be corrugated and smooth-lined pipe conforming to ASTM F 2306, latest edition. The pipe shall be of the size, type and dimension shown on the plan and contained in this specification. In addition, it shall include all connections and joints to new or existing pipes, drainage structures, and other appurtenances as may be required to complete the work.

2. HDPE pipe and fittings shall be manufactured in accordance with ASTM F 2306, latest edition – Type S: this pipe shall have a full circular cross section, with an outer corrugated pipe wall and a smooth interior wall.
3. HDPE shall be manufactured from virgin PE compounds which conform with the requirements of cell class 435400C as defined and described in ASTM D 3350.
4. Minimum pipe stiffness (PS) at five percent deflection shall be described in ASTM F 2306, Section 6.3 when tested in accordance with ASTM D 2412.
5. All HDPE pipe shall be certified through the AASHTO National Transportation Product Evaluation program (NTPEP) 3<sup>rd</sup> Party Certification program.

B. Installation

1. Installation shall be in accordance with ASTM D 2321, “Standard Practice for Underground Installation of Thermoplastic Pipe for Sewers and Other Gravity Flow Applications”.
2. HDPE pipe shall be unloaded and handled with reasonable care. Trenches shall be excavated in such a manner as to insure that the trench sidewalls will be stable under all working conditions. Only as much trench as can be safely maintained shall be opened. Contractor shall be required to incorporate any required shoring, protection, stabilization, etc. of the trench.
3. Bedding and initial backfill over drainage pipes shall be stable sand or graded rock with no rock larger than 1 inch diameter.
4. Backfill material under paved areas shall be compacted in maximum 12” lifts to 98% of the maximum density as determined by AASHTO T-180.
5. Backfill material under areas not to be paved shall be compacted in maximum 12” lifts to 95% of the maximum density as determined by AASHTO T -180.
6. Pipe shall be constructed with a uniform grade and line.
7. Backfill material within 24 inches of the surface shall be well graded granular material well tamped in layers not to exceed 12 inches.
8. The water elevation in the trench during the placement of pipe shall not be higher than the midpoint of the pipe.
9. Trenches with HDPE in place shall be backfilled as soon as practical, but no later than the end of each working day.
10. In the event pipe joints do not meet Florida Department of Transportation criteria, the pipe shall be removed and reinstalled or repaired at the discretion of the Owner.

C. Joints

1. Joints shall be installed such that the connection of pipe sections will form a continuous line free from irregularities in the flow line. All installations shall

require watertight joints that meet 74kPa (10.8 psi) laboratory test per ASTM D 3212 and utilize a bell and spigot design with a gasket meeting ASTM F477.

2. Joints shall be double wrapped with Mirafi filter cloth, conforming to FDOT Standard Specifications for Road and Bridge Construction Section 985, OAE.

D. Damaged Pipe

1. Damaged pipe shall be accepted or rejected in accordance with the criteria of the Florida Department of Transportation.
2. All damaged pipe that is to be repaired, shall be repaired in accordance with the criteria of the Florida Department of Transportation.
3. Any damaged pipe shall be repaired/replaced at the Contractor's expense.

E. Inspections

1. The final inspection shall include pumping down the pipes and maintaining that level for the duration of a lamping inspection or walkthrough to be conducted by the Owner's inspector.
2. The final inspection shall be considered satisfactory if, among other points, the pipes are clean. Clean shall be defined as the bottom of the culvert not containing more than 0.75 inches of mud in the bottom of the pipes.
3. At the Engineer's discretion, all pipe exceeding 7.5% deflection (as per AASHTO Section 30) may require replacement or re-compaction at the Contractor's expense. Deflection is defined per ASTM D 2321.

V. STRUCTURES

A. Materials

1. All drainage structures (inlets) shall be precast concrete structures and shall be the size and type designated on the drawings. Drainage inlets shall be constructed in accordance with FDOT Standard Specifications for Road and Bridge Construction Section 425. All drainage structures located in grass areas shall have a 12" concrete apron.
2. The Frame and Grate for the 5' diameter drainage structures shall be a USF 4155-6210, or approved equal, with H-20 loading. The cover for the manhole structure shall have an 8" thick concrete top slab with a 4' x 4' Heavy Duty Aluminum Access Hatch – "H-20" Loading, Single Leaf Door, as manufactured by Thompson Fabricating LLC, O.A.E.
3. All drainage structures located in grass areas shall have a 12" concrete apron.

B. Installation and Maintenance

1. The location of the drainage structures shall govern and pipe lengths may have to be adjusted to accomplish construction as shown on the plans. There will no additional payment for any adjustment made to pipe lengths, as this is a lump sum contract.

2. Drainage inlets shall be installed in accordance with FDOT Standard Specifications for Road and Bridge Construction Section 425.
3. Drainage inlets and yard drains in grass areas shall have 12" concrete collar (4" thick) around the entire perimeter of the grate, unless otherwise noted on the plans.
4. All inlets and pipes shall be protected during construction to prevent siltation in the drainage systems by way of temporary plugs and plywood or plastic covers over the inlets. Prior to final acceptance, all temporary plugs, covers, etc. shall be removed and the entire drainage system shall be cleaned of all debris.

#### VI. CONCRETE HEADWALLS

Headwalls shall be precast concrete headwalls and shall conform to FDOT Standard Index No. 250, latest revision. The height of the headwalls shall be based on the cap and invert elevations as indicated on the plans.

#### VII. FABRICFORM REVETMENT

##### A. Material

1. FabricForm shall be Hydrotex Filter Point Lining FP400 or Approved Equal.

##### B. Installation

1. The Fabric-Form Revetment shall extend from the canal's top of bank to 40' feet beyond the end of pipe; and shall span the entire width of the canal and shall extend 5 feet beyond the top of bank in all directions. The Fabric Form Revetment shall be connected contiguously and shall be placed 6" minimum below the invert of the pipe when filled or at Elevation (-)1.0' NGVD. The top of the fabric-form shall match the finished grade elevations. All work and fabric-form installation shall be per manufacturers specifications.
2. Provide an anchor trench around the entire perimeter of the FabricForm Revetment above the water line, a minimum of 2 feet in depth.

#### VIII. FLAP GATE

##### A. Material

1. The Flap Gate shall be a Waterman Aluminum Flap Gate Model No. AF-41, or approved equal.
2. All fasteners shall be stainless steel per ASTM F-593 and F-594, Type 316.
3. Seals shall be Neoprene Rubber per ASTM D-2000.

##### D. Installation

1. The Flap Gates shall be installed in accordance with the manufactures recommendation.
2. The Flap Gates shall be attached to the precast concrete headwalls using Stainless



Steel anchors and bolts. All openings in the headwall shall be pre-drilled prior to the installation of the headwall.

IX. SOD

A. Materials

1. Sod shall be Argentine Bahia sod.
2. Sod shall be free of weeds, fungus, insects and disease.

B. Installation and Maintenance

1. Sodding shall be placed and maintained in accordance with FDOT Standard Specifications for Road and Bridge Construction Section 575-3.
2. Sod shall be placed in a manner that insures that it will not slide out of position in which the Contractor places it. If necessary, sod shall be pinned.
3. All sod shall be installed flush with existing undisturbed sod.
4. A 2" layer of top soil shall be placed below all new sod.
5. New sod should be watered daily and kept wet during the first 7-10 days. Once the sod has rooted into the soil, watering frequency should be reduced.

X. SEED AND MULCH

A. Materials

1. Seed shall be a Bahia Grass seed in accordance with the latest edition of the FDOT Standard Specifications for Road and Bridge Construction.
2. Mulch shall in accordance with the latest edition of the FDOT Standard Specifications for Road and Bridge Construction.

B. Installation and Maintenance

1. Seed and Mulch shall be placed and maintained in accordance with the latest edition of the FDOT Standard Specifications for Road and Bridge Construction.

**GENERAL NOTES (PLANS)**

1) The Contractor shall be required to secure or remove from the site, prior to a named storm event, any materials or equipment which could cause bodily injury, damage to the work, the Owner=s installations and/or public or private property. Site excavations shall be required to be secured and/or backfilled. The Contractor is responsible for preparing for all storm events. The Contractor shall take the necessary precautions to protect the walking and motoring public from harm due to construction activity. Contractor shall maintain stormwater and drainage flow as may be required to prevent adverse effects of stormwater which would normally flow through the existing and proposed facilities. The Contractor will not be paid additional for any measures related to this item, however, a time extension may be added to the contract for the time delay.

2) All material, laboratory and density tests required for compliance with these specifications shall be performed by an independent testing laboratory under contract to and as directed by the Contractor and acceptable to the Owner and Engineer.

Contractor shall be responsible for arranging and obtaining and shall pay all costs associated all material, laboratory and density tests required for compliance with these specifications and required for Owner’s and Engineer’s acceptance of the Work.

3) The Contractor recognizes that its work activities may generate complaints from adjacent property owners and property owners in the vicinity of the Project. The Contractor agrees that should such complaints be forwarded to the Contractor, whether by the Owner or otherwise, the Contractor will respond in an appropriate manner within 24 hours. The Contractor further agrees that if the Contractor receives complaints from any entity other than the Owner, it will notify the Owner, in writing, of the complaint within 24 hours.

The Contract Documents depict the project limits for the project. The Contractor is prohibited from entering, encroaching upon or storing material on any property outside the project limits or approved staging area without the express written permission of the Owner and the affected property owner(s).

The Contractor shall restore all damages to existing wetlands, uplands, rights-of-way, easements, private properties, Town of SW Ranches facilities, South Broward Drainage District facilities, and surface and underground facilities resulting directly or indirectly from his construction operations to a condition equal to or better than the condition existing prior to work.

4) Under no circumstances will the hardness of the rock, the depth of the rock or the elevation of the rock to be excavated or the ground water conditions encountered be considered justification for a change order.

5) The Contractor agrees that during the progress of work under the Agreement, he will, at all times, comply with the safety requirements of OSHA, Broward County, and Contractor does hereby save and hold harmless Owner, Engineer, and Owner's and Engineer’s agents and employees from any liability, damages, costs, or expenses, attorneys' fees and court

TOWN OF SOUTHWEST RANCHES, FLORIDA  
DYKES ROAD DRAINAGE AND WATER QUALITY PROJECT - REBID  
IFB No. 18-003

---

costs through all trial and appellate levels arising out of any injury to persons or property sustained by reason of the default or neglect of the Contractor to properly comply with any of the above safety requirements or any other applicable safety requirements and to protect the work covered by this Agreement.

- 6) The lump sum price shall not include the cost for any permit fees except the cost of a permit fee for a dewatering permit, if applicable. If any other permit fees are required for any work, the Owner will pay the actual cost of said permit directly or as an extra to the Agreement. The Contractor shall be responsible to pay any dewatering permit fees under the lump sum contract price.

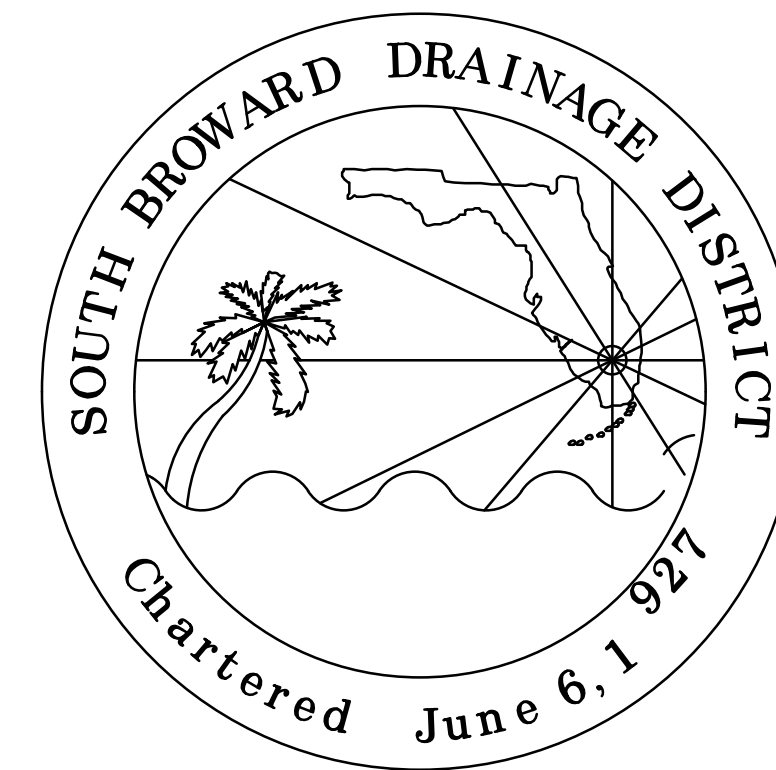
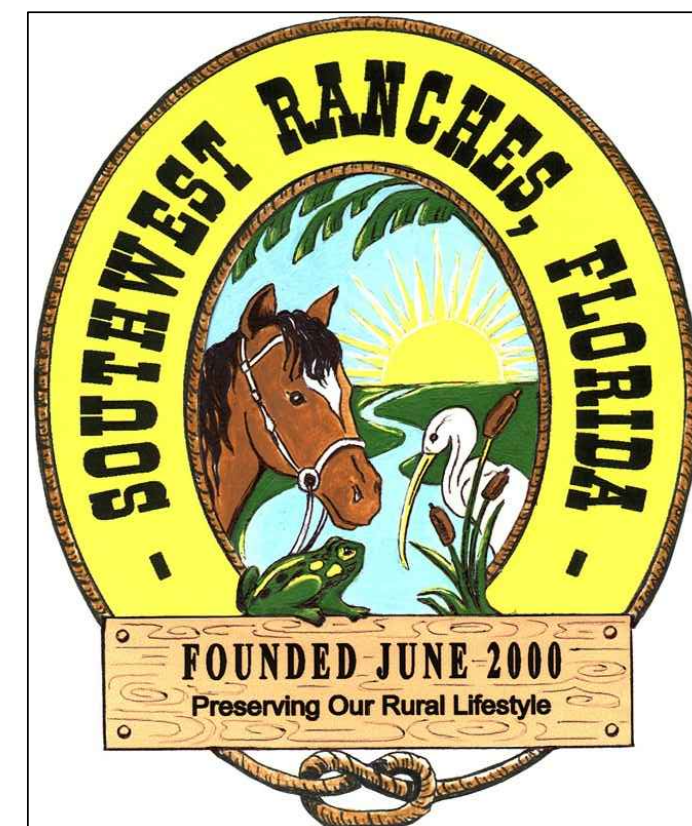


**EXHIBIT "C"**

DRAWINGS AND CONSTRUCTION PLANS PREPARED BY SOUTH BROWARD DRAINAGE DISTRICT

# TOWN OF SOUTHWEST RANCHES & SOUTH BROWARD DRAINAGE DISTRICT DYKES ROAD DRAINAGE AND WATER QUALITY PROJECT

TOWN OF SOUTHWEST RANCHES  
13400 GRIFFIN ROAD  
SOUTHWEST RANCHES, FLORIDA 33330



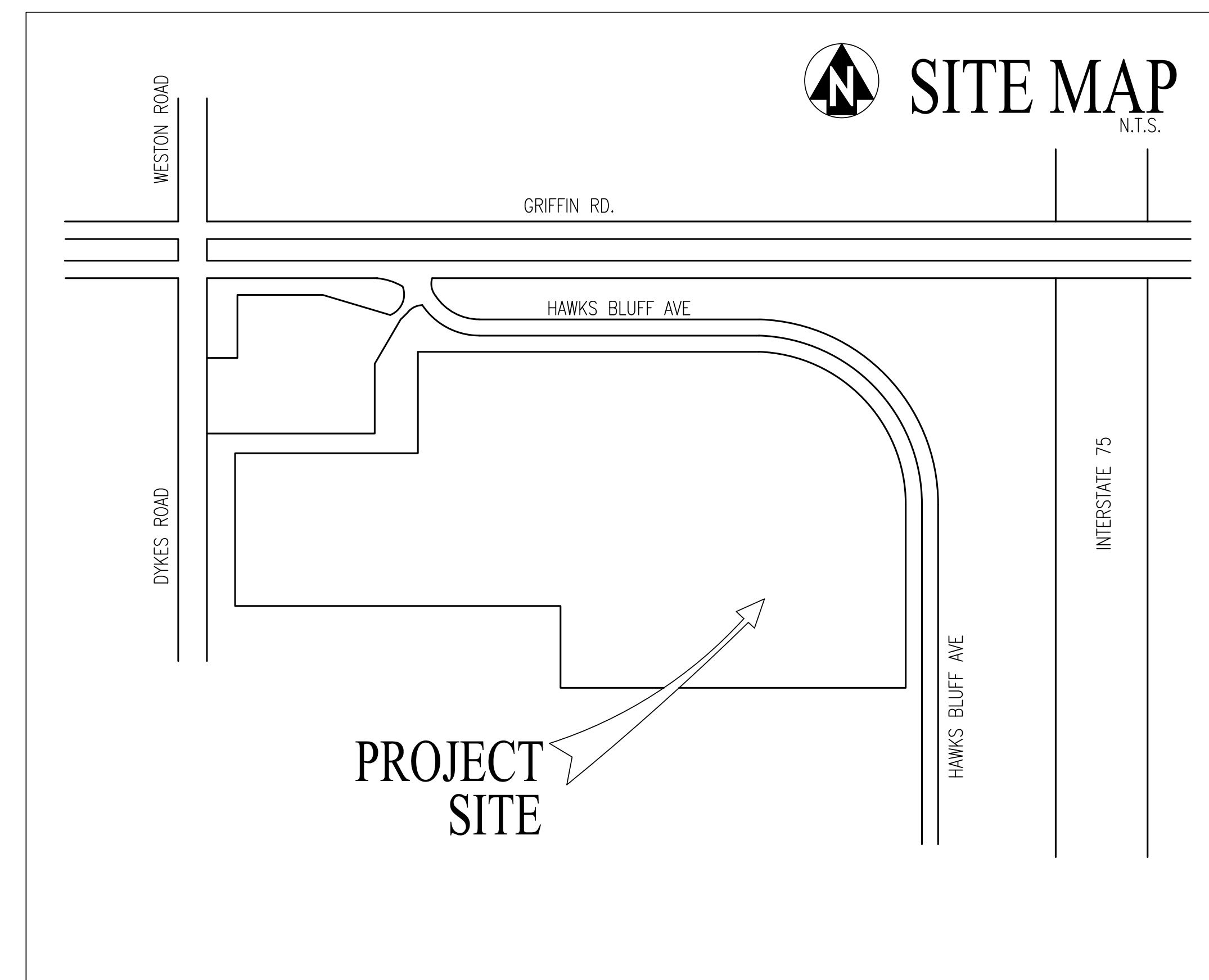
SOUTH BROWARD DRAINAGE DISTRICT  
6591 SW 169th AVE.  
SOUTHWEST RANCHES, FLORIDA 33331



Know what's below.  
Call before you dig.

## DRAWING INDEX:

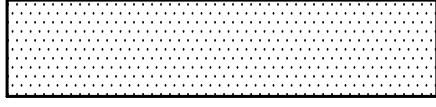
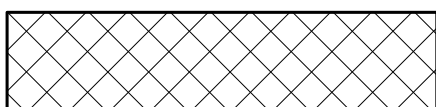
COVER SHEET	
GRADING AND DRAINAGE SITE PLAN	- 1
ENLARGED SITE PLAN AT STABILIZED PATH	- 2
DRAINAGE PLAN DYKES RD.	- 3
DRAINAGE DETAILS & SECTIONS	- 4
DRAINAGE DETAILS & SECTION	- 5
SBDD DETAILS	- 6
EROSION CONTROL PLAN	- 7
EROSION CONTROL DETAILS	- 8
DISPOSAL & SOIL CONTAINMENT PLAN	- 9
SURVEY	- 10



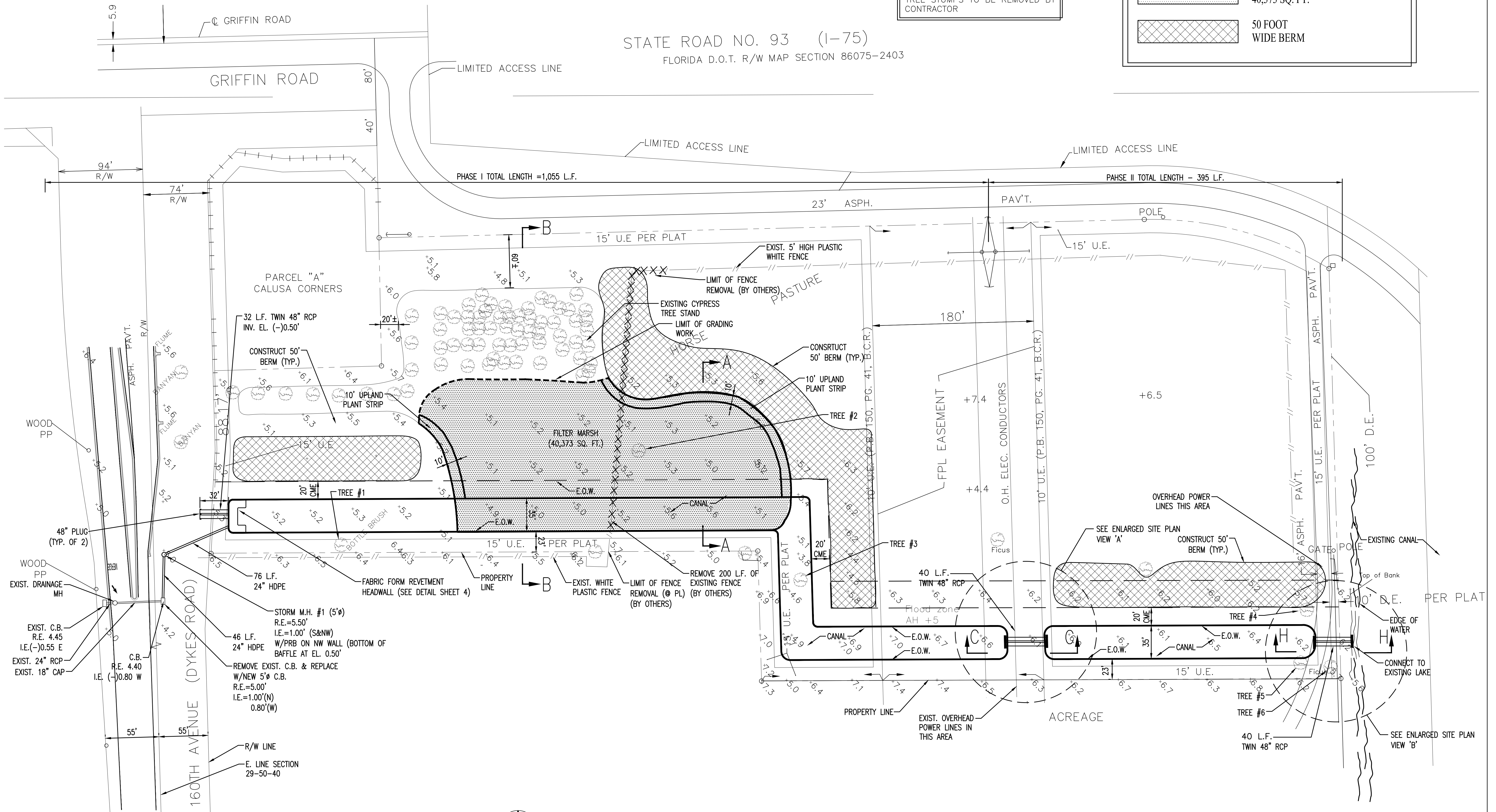
NOTE:  
EXISTING TREE #1,2,3,4,5&6 TO BE REMOVED  
BY OTHERS

TREE STUMPS TO BE REMOVED BY  
CONTRACTOR

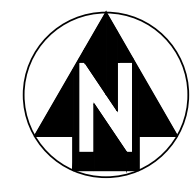
**LEGEND:**

-  FILTER MARSH  
40,373 SQ. FT.
-  50 FOOT  
WIDE BERM

STATE ROAD NO. 93 (I-75)  
FLORIDA D.O.T. R/W MAP SECTION 86075-2403



# GRADING & DRAINAGE PLAN



SCALE: 1"=50'-0"

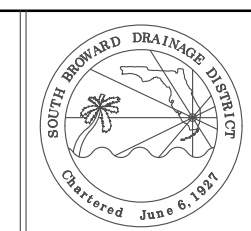
- NOTES:
- ALL ELEVATIONS ARE BASED ON NGVD '29 DATUM
  - CONVERSION FROM NGVD '29 DATUM IS NAVD '88 + 1.51' = NGVD '29

NO.	DATE	REVISION	BY	NO.	DATE	REVISION	BY
3	01-22-18	UPDATED BIDD PLANS	KH				
2	10-13-17	UPDATED BIDD PLANS	KH				
1	8-30-17	BROWARD COUNTY ENVIRONMENTAL RESOURCE PERMIT	KH				

SOUTH BROWARD DRAINAGE DISTRICT  
6591 SW 160th AVE  
SOUTHWEST RANCHES, FL. 33331

## GRADING & DRAINAGE PLAN SOUTHWEST RANCHES, FLORIDA DYKES RD DRAINAGE AND WATER QUALITY PROJECT

DRAWN BY:  
J.K.S.  
APPROVED BY:  
K.M.H.  
DATE 6-2-2017



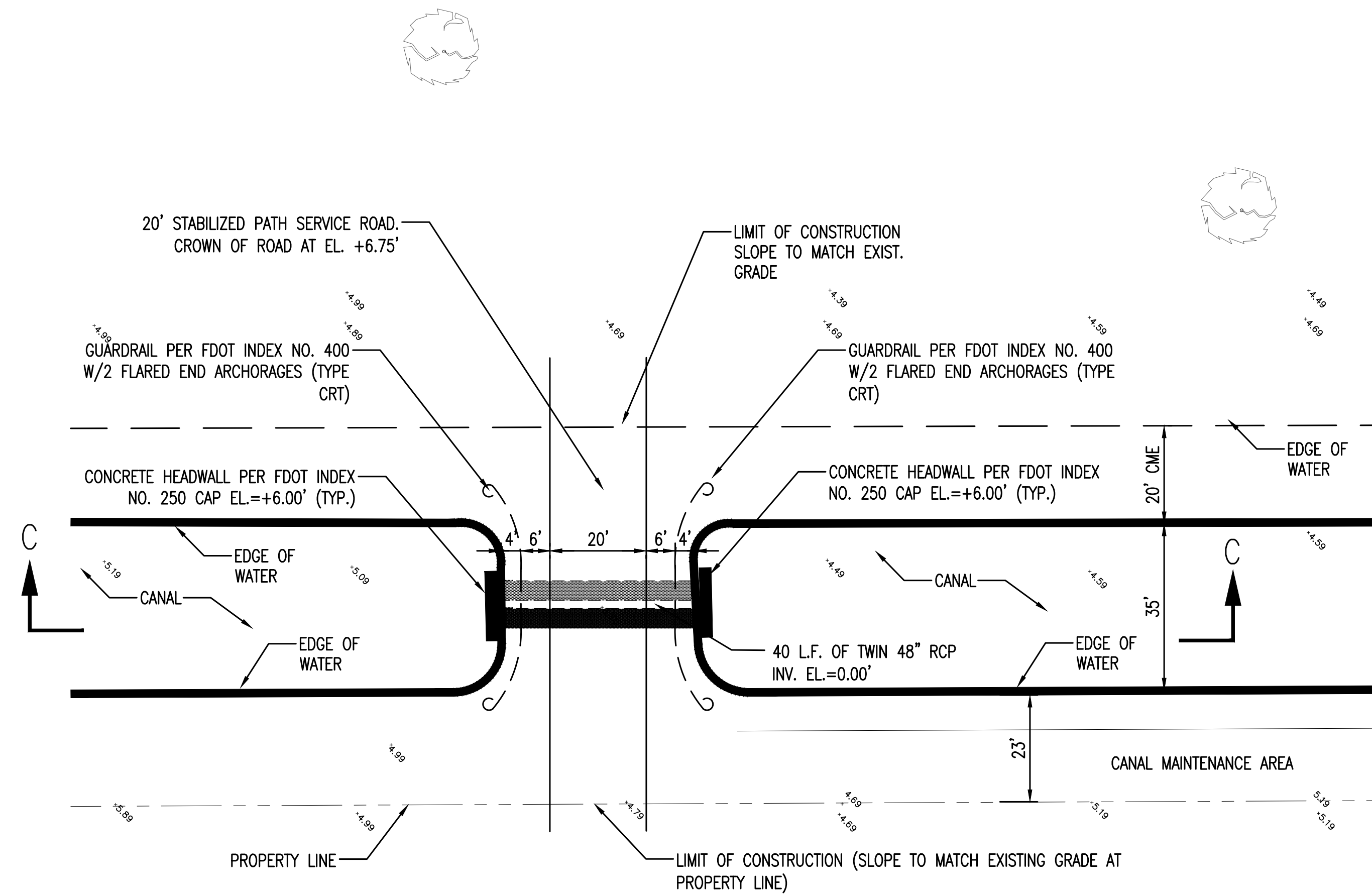
SCALE: AS NOTED  
PROJECT No.  
CAD FILE

**NOTES:**

- See Solis Report prepared by EastCoast Testing & Engineering, Inc, dated April 25, 2017 for locations and data on existing subsurface conditions, including the depth and hardness of the underlying soils.
- There shall be no Change Orders or additional payments under this contract due to the hardness of the underlying rock or the depth to the water table. The Contractor shall perform any site investigations and obtain any additional information as they deem necessary to determine the extent of the work and equipment required to excavate the canal and to install the drainage culverts and structures as indicated in the Contract Documents.
- See topographic survey prepared by Winningham & Fradley, Inc., dated 5/26/17, for information and data on existing ground elevations.
- All existing trees within the limits of construction shall be removed by other. The Contractor shall remove all the tree stumps.
- The existing fence within the limits of construction shall be removed by the Contractor.
- Refer to Horizontal Control Plan prepared by Winningham & Fradley, Inc. for all dimensions and layout information.
- All elevations shown on this plan are based on the North American Vertical Datum of 1929 (NGVD '29). The conversion from NGVD '29 to the National American Vertical Datum of 1988 (NAVD '88) is: NAVD'88 = NGVD '29 - 1.51'
- Contractor shall verify the location, size, material, and depth of all existing underground utility lines prior to beginning the work.
- Contractor shall exercise extreme caution when working under and around existing overhead electric lines. Contractor shall notify and coordinate with FPL on any safety or other issues regarding overhead power lines.
- Contractor shall submit a Maintenance of Traffic (MOT) Plan to the Town of Southwest Ranches for approval for any impacts to the flow of traffic on Dykes Road or Hawkes Bluff Avenue.
- All excess fill from the canal excavation and drainage installation shall be removed from the site by the Contractor. All muck shall remain on site for us in the constructing the 50-foot berm.
- The limits of the Project area shall be completely restored. The Dykes Toad right-of-way shall be restored with Bahia sod. All other areas shall be restored with seed and mulch. Contractor shall be responsible for watering of the sod until final acceptance of the work.
- The canal banks shall be seeded and mulched down to the edge of water.
- The canal maintenance areas and the 50-foot landscape berm shall be seeded and mulched.
- Contractor shall be responsible to completely restore the limits of construction including, but not limited to, sod, irrigation, seed and mulch, pavement, and curbing.
- Contractor shall be responsible to obtain a dewatering permit from the South Florida Water Management District (SFWMD) for the any dewatering activities (at the sole cost to the Contractor).
- Any required density tests or material testing shall be paid for by the Contractor.
- All required survey layouts and as-built surveys shall be paid for by the Contractor.
- Contractor shall install a 12" concrete apron around the new drainage catch basin along Dykes Road.
- Contractor shall comply with all requirements of Section 403.0885, Florida Statutes for NPDES, including, but not limited to, filing a Notice of Intent.

EXISTING TREES TO BE REMOVED BY OTHERS:			
No.	Species	Trunk Circumference	Canopy Radius
1	Bottlebrush	9'-2"	14'
2	Ficus	18'-0"	40'
3	Bischofia	13'-0"	33'
4	Bischofia	13'-2"	30'
5	Bischofia	9'-9"	30'
6	Ficus	8'-2"	28'

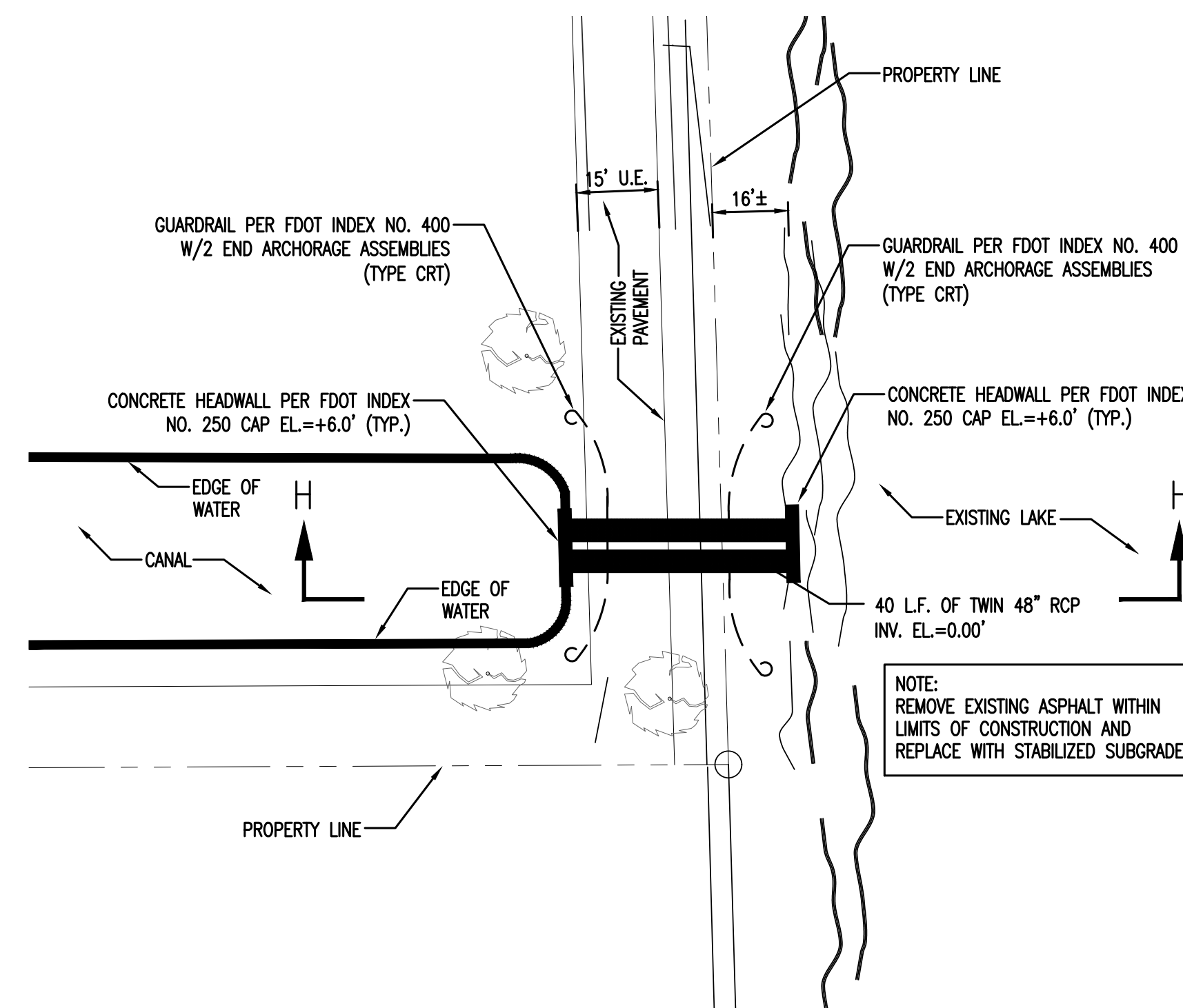
\* CONTRACTOR TO REMOVE TREE STUMPS



## ENLARGED VIEW 'A' AT STABILIZED PATH



SCALE: 1"=20'-0"



## ENLARGED VIEW 'B' AT CONNECTION TO LAKE



SCALE: 1"=20'-0"

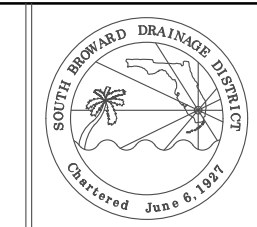
- NOTES:
- ALL ELEVATIONS ARE BASED ON NGVD '29 DATUM
  - CONVERSION FROM NGVD '29 DATUM IS NAVD '88 + 1.51' = NGVD '29

NO.	DATE	REVISION	BY	NO.	DATE	REVISION	BY
3	01-22-18	UPDATED BID PLANS	KH				
2	10-13-17	UPDATED BID PLANS	KH				
1	8-30-17	BROWARD COUNTY ENVIRONMENTAL RESOURCE PERMIT	KH				

SOUTH BROWARD DRAINAGE DISTRICT  
6591 SW 160th AVE  
SOUTHWEST RANCHES, FL. 33331

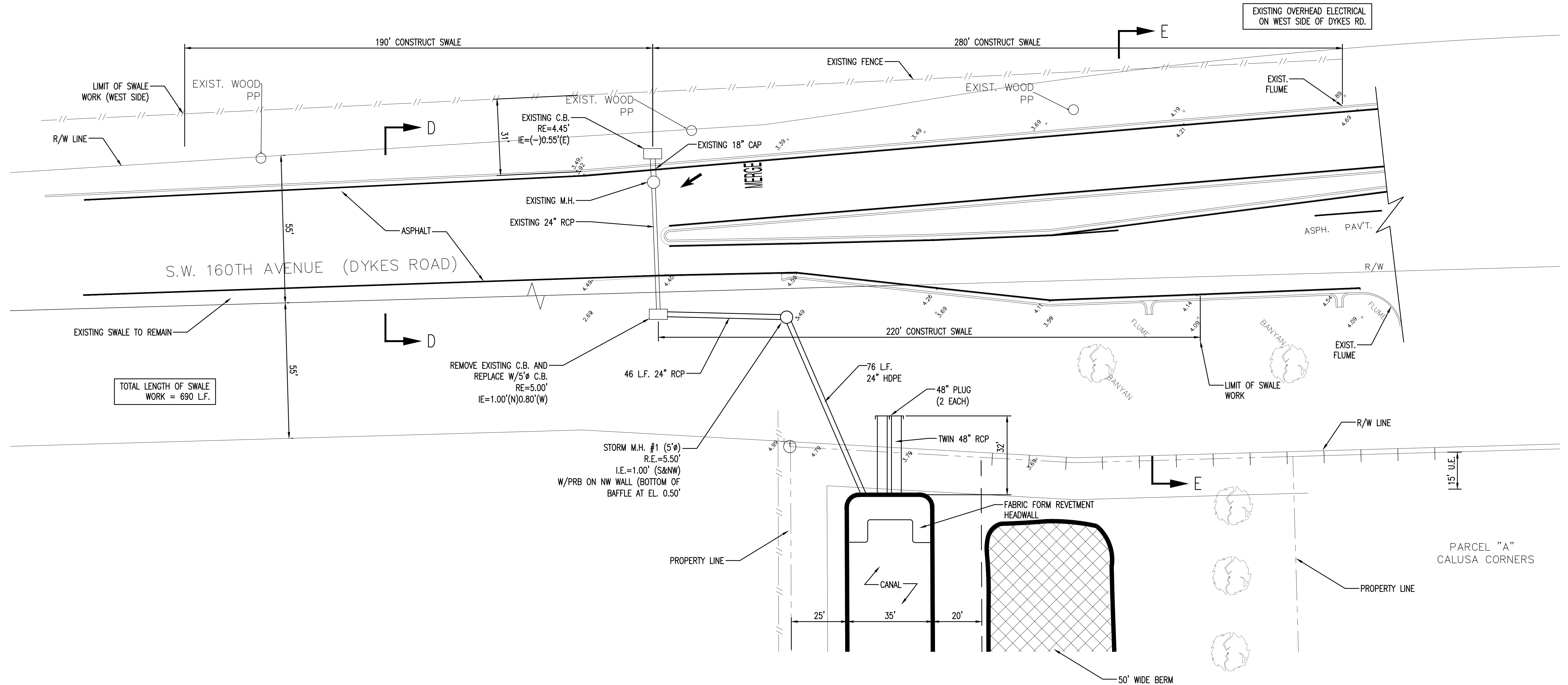
ENLARGED SITE PLAN 'A'  
SOUTHWEST RANCHES, FLORIDA  
DYKES RD DRAINAGE AND WATER QUALITY PROJECT

DRAWN BY:  
J.K.S.  
APPROVED BY:  
K.M.H.  
DATE 6-2-2017

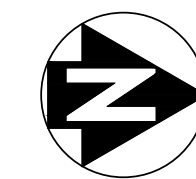


SCALE AS NOTED  
PROJECT No.  
CAD FILE

SHEET  
2 OF 10



# DRAINAGE PLAN AT DYKES ROAD



SCALE: 1"=20'-0"

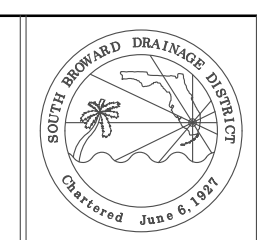
- NOTES:
- ALL ELEVATIONS ARE BASED ON NGVD '29 DATUM
  - CONVERSION FROM NGVD '29 DATUM IS NAVD '88 + 1.51' = NGVD '29

NO	DATE	REVISION	BY	NO	DATE	REVISION	BY
3	01-22-18	UPDATED BIDD PLANS	KH				
2	10-13-17	UPDATED BIDD PLANS	KH				
1	8-30-17	BROWARD COUNTY ENVIRONMENTAL RESOURCE PERMIT	KH				

SOUTH BROWARD DRAINAGE DISTRICT  
 6591 SW 160th AVE  
 SOUTHWEST RANCHES, FL. 33331

DRAINAGE PLAN AT DYKES ROAD  
 SOUTHWEST RANCHES, FLORIDA  
 DYKES RD DRAINAGE AND WATER QUALITY PROJECT

DRAWN BY:  
 J.K.S.  
 APPROVED BY:  
 K.M.H.  
 DATE 6-2-2017

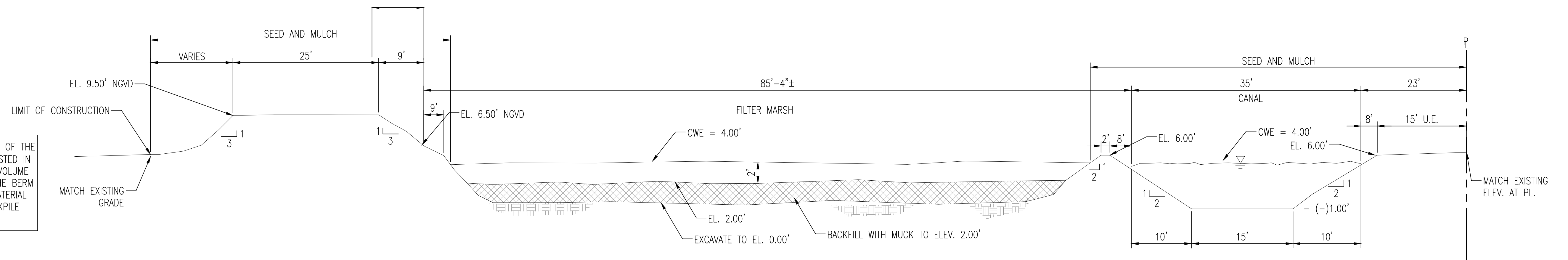


SCALE AS NOTED  
 PROJECT No  
 CAD FILE

SHEET  
 3 OF 10

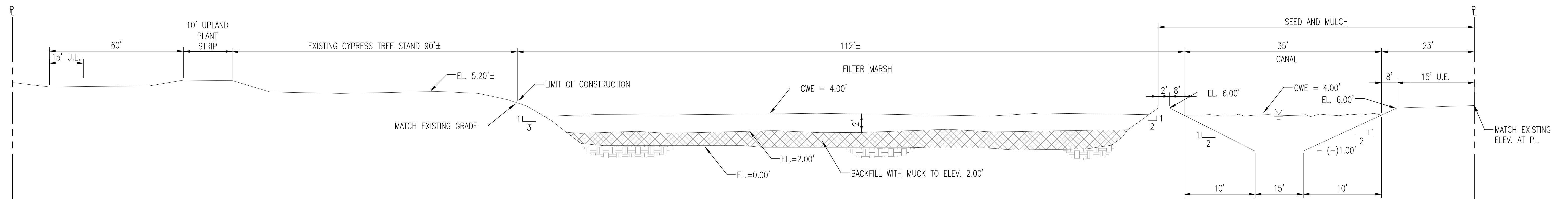


FINAL WIDTH, LENGTH AND/OR HEIGHT OF THE 50 FOOT WIDE BERM SHALL BE ADJUSTED IN ORDER TO ENSURE THAT THE TOTAL VOLUME OF MATERIAL USED TO CONSTRUCT THE BERM MATCHES THE EXCESS VOLUME OF MATERIAL AVAILABLE WITHIN THE ON-SITE STOCKPILE AREAS (MUCK)



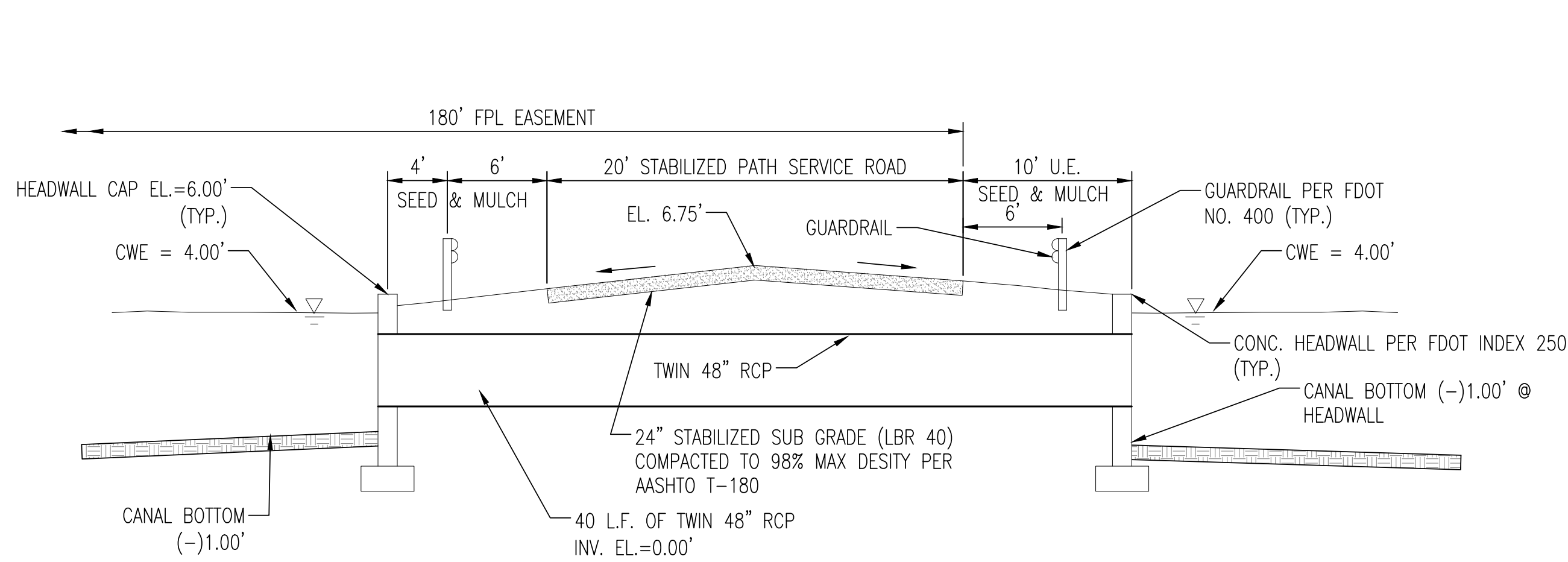
### SECTION A-A

NO SCALE



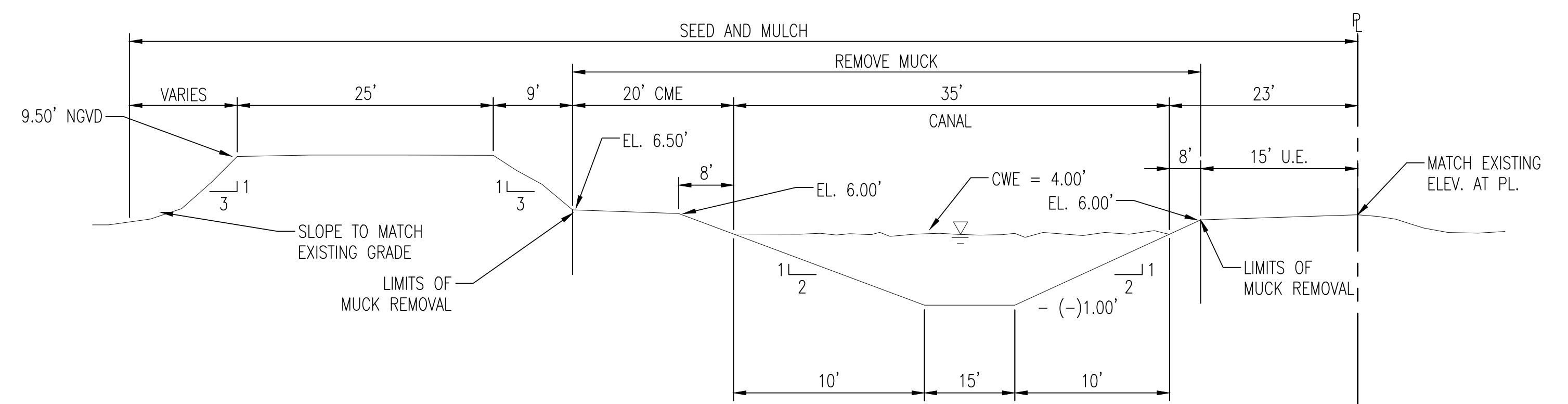
### SECTION B-B

NO SCALE



### SECTION C-C

NO SCALE



### TYP. CANAL CROSS SECTION

NO SCALE

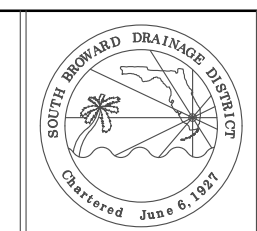
- NOTES:
- ALL ELEVATIONS ARE BASED ON NGVD '29 DATUM
  - CONVERSION FROM NGVD '29 DATUM IS NAVD '88 + 1.51' = NGVD '29

NO	DATE	REVISION	BY	NO	DATE	REVISION	BY
3	01-22-18	UPDATED BIDD PLANS	KH				
2	10-13-17	UPDATED BIDD PLANS	KH				
1	8-30-17	BROWARD COUNTY ENVIRONMENTAL RESOURCE PERMIT	KH				

SOUTH BROWARD DRAINAGE DISTRICT  
6591 SW 160th AVE  
SOUTHWEST RANCHES, FL. 33331

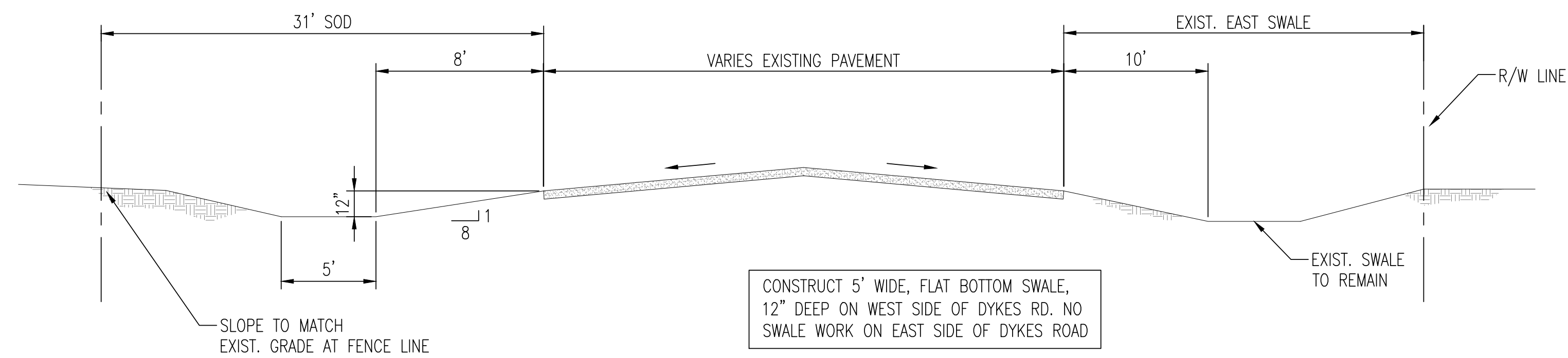
DRAINAGE DETAILS AND SECTIONS  
SOUTHWEST RANCHES, FLORIDA  
DYKES ROAD DRAINAGE AND WATER QUALITY PROJECT

DRAWN BY:  
J.K.S.  
APPROVED BY:  
K.M.H.  
DATE 6-2-2017



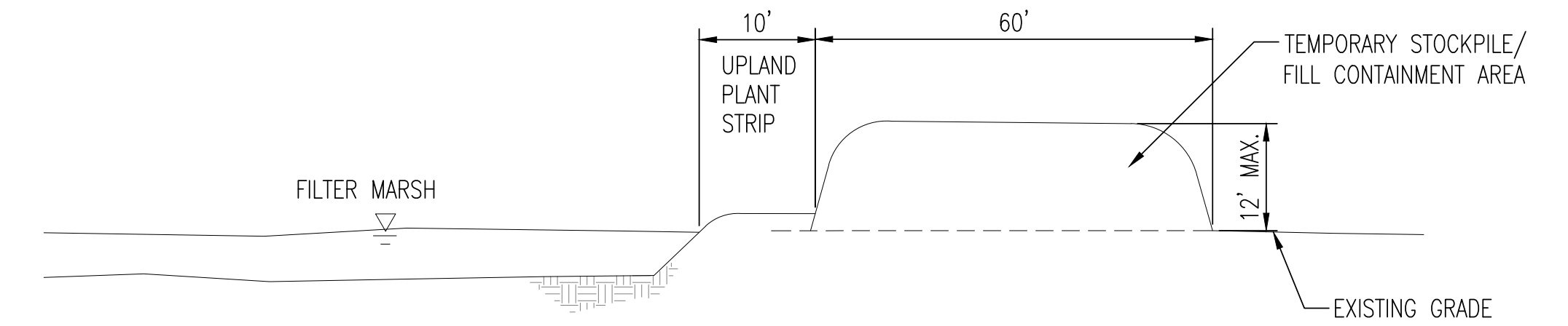
SCALE AS NOTED  
PROJECT No  
CAD FILE

SHEET  
4 OF 10



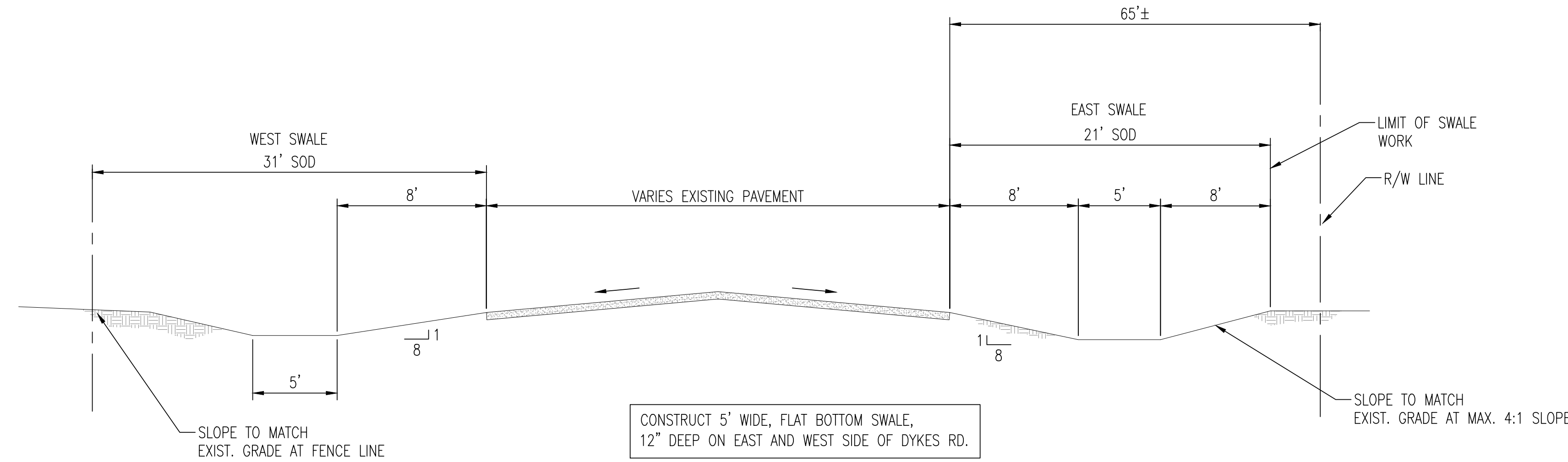
### SECTION D-D

NO SCALE



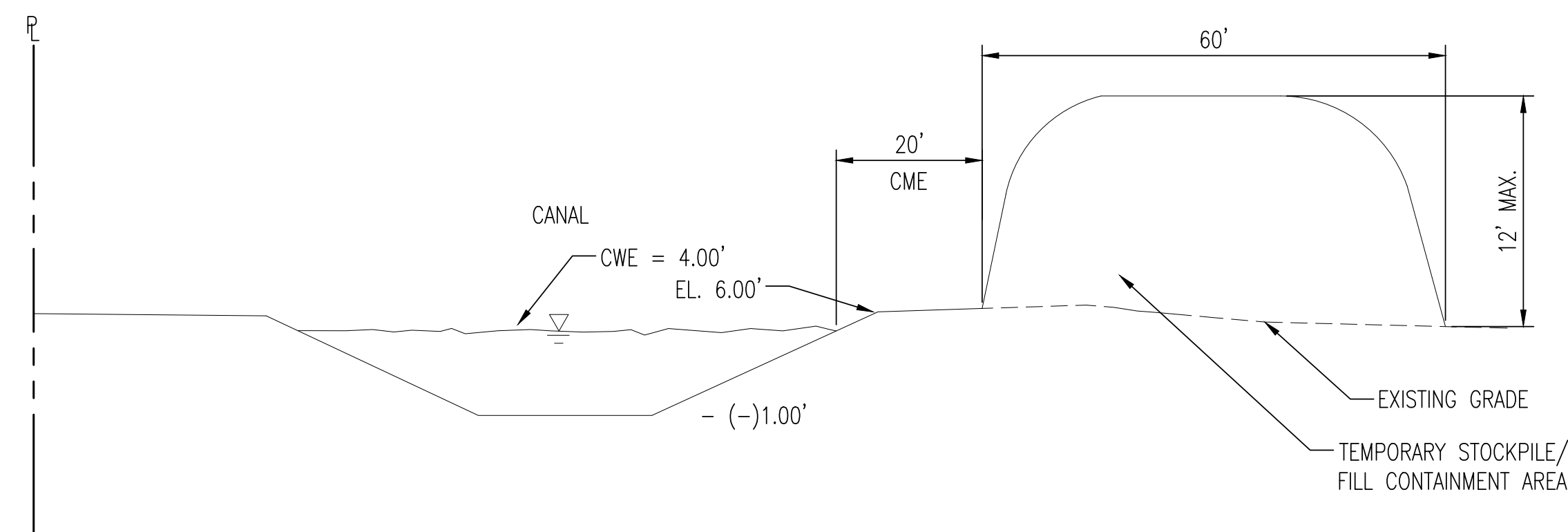
### SECTION G-G

NO SCALE



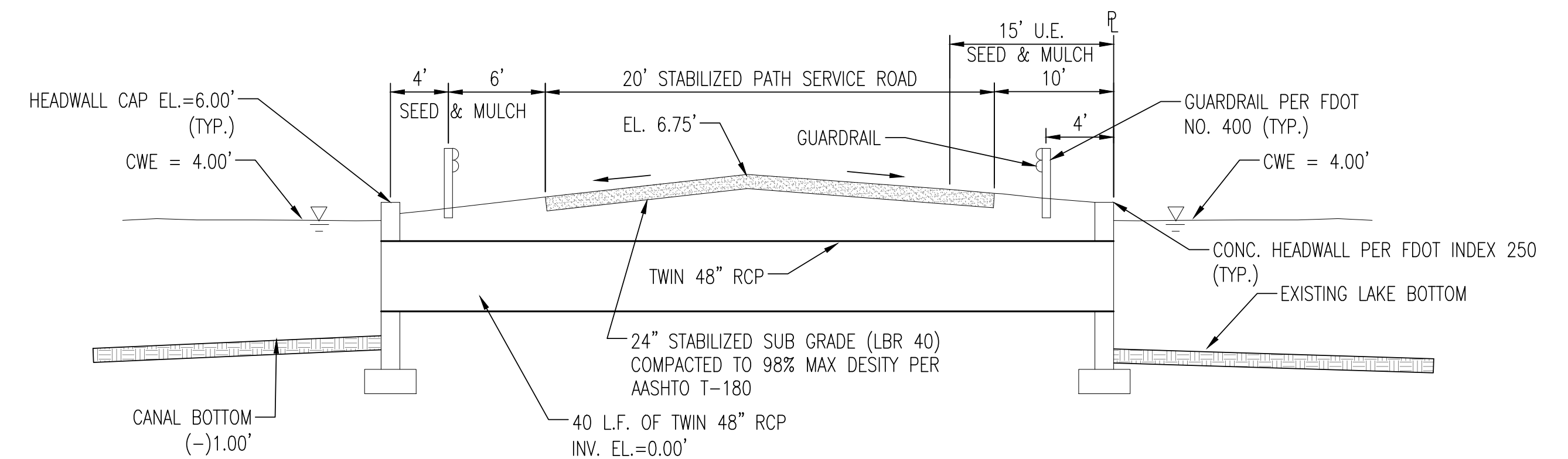
### SECTION E-E

NO SCALE



### SECTION F-F

NO SCALE



### SECTION H-H

NO SCALE

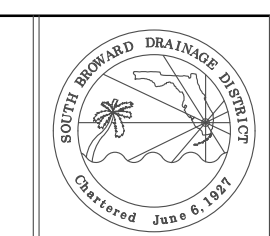
- NOTES:
- ALL ELEVATIONS ARE BASED ON NGVD '29 DATUM
  - CONVERSION FROM NGVD '29 DATUM IS NAVD '88 + 1.51' = NGVD '29

NO	DATE	REVISION	BY	NO	DATE	REVISION	BY
3	01-22-18	UPDATED BIDD PLANS	KH				
2	10-13-17	UPDATED BIDD PLANS	KH				
1	8-30-17	BROWARD COUNTY ENVIRONMENTAL RESOURCE PERMIT	KH				

SOUTH BROWARD DRAINAGE DISTRICT  
6591 SW 160th AVE  
SOUTHWEST RANCHES, FL. 33331

DRAINAGE DETAILS AND SECTIONS  
SOUTHWEST RANCHES, FLORIDA  
DYKES ROAD DRAINAGE AND WATER QUALITY PROJECT

DRAWN BY:  
J.K.S.  
APPROVED BY:  
K.M.H.  
DATE 6-2-2017

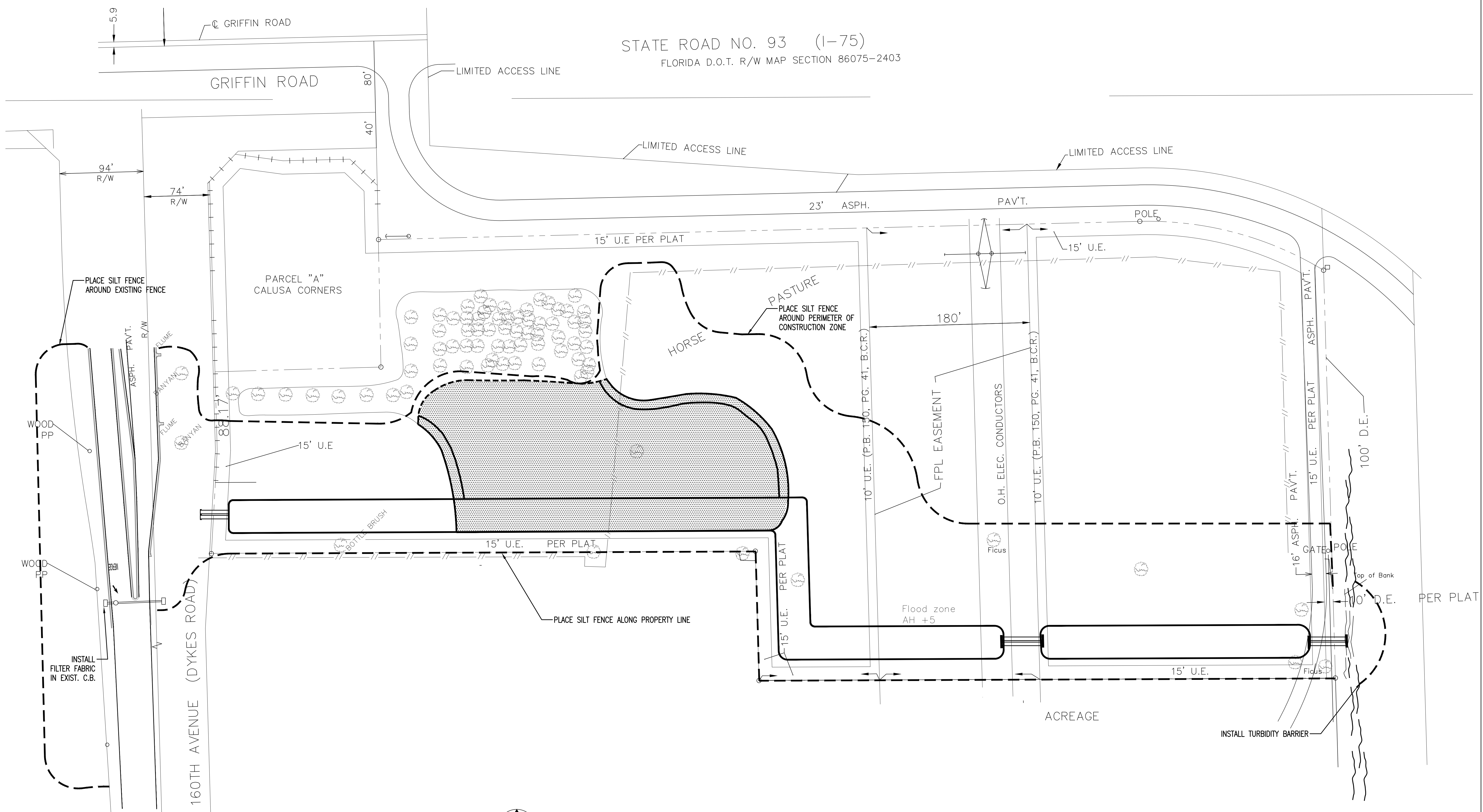


SCALE AS NOTED  
PROJECT No  
CAD FILE

SHEET  
5 OF 10



STATE ROAD NO. 93 (I-75)  
 FLORIDA D.O.T. R/W MAP SECTION 86075-2403



# EROSION CONTROL PLAN

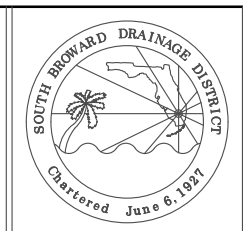


NO	DATE	REVISION	BY	NO	DATE	REVISION	BY
3	01-22-18	UPDATED BIDD PLANS	KH				
2	10-13-17	UPDATED BIDD PLANS	KH				
1	8-30-17	BROWARD COUNTY ENVIRONMENTAL RESOURCE PERMIT	KH				

SOUTH BROWARD DRAINAGE DISTRICT  
 6591 SW 160th AVE  
 SOUTHWEST RANCHES, FL. 33331

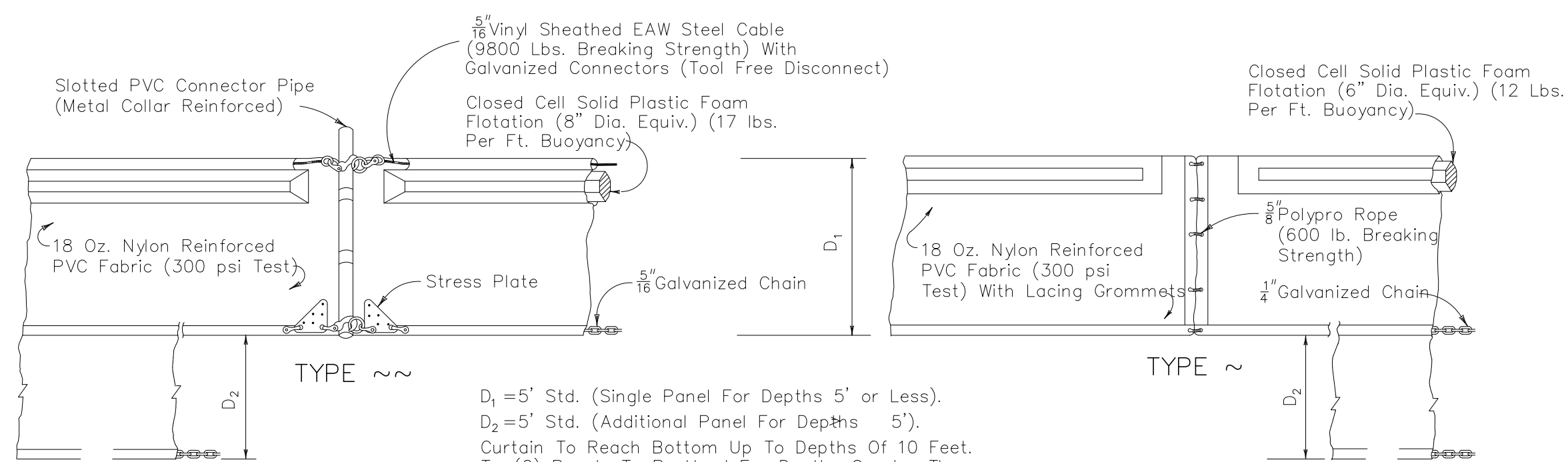
EROSION CONTROL PLAN  
 SOUTHWEST RANCHES, FLORIDA  
 DYKES RD DRAINAGE AND WATER QUALITY PROJECT

DRAWN BY:  
 J.K.S.  
 APPROVED BY:  
 K.M.H.  
 DATE 6-2-2017



SCALE AS NOTED  
 PROJECT No  
 CAD FILE

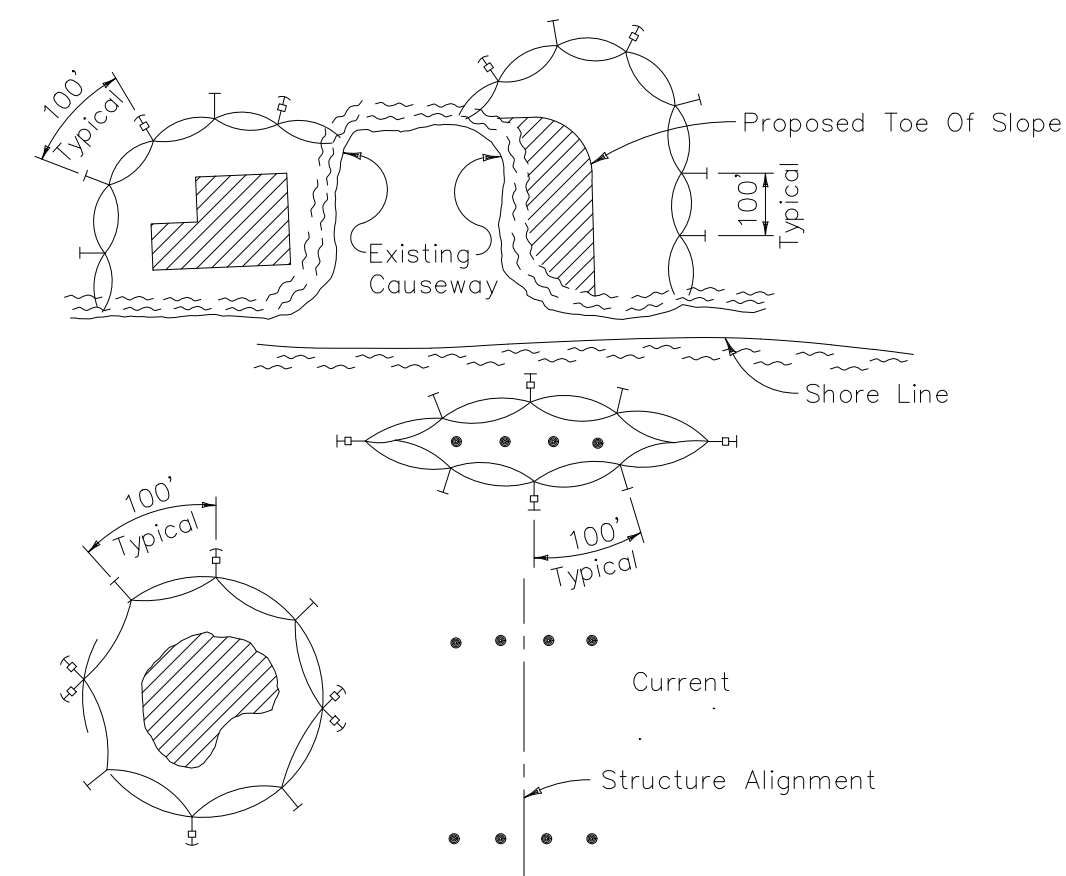
SHEET  
 7 OF 10



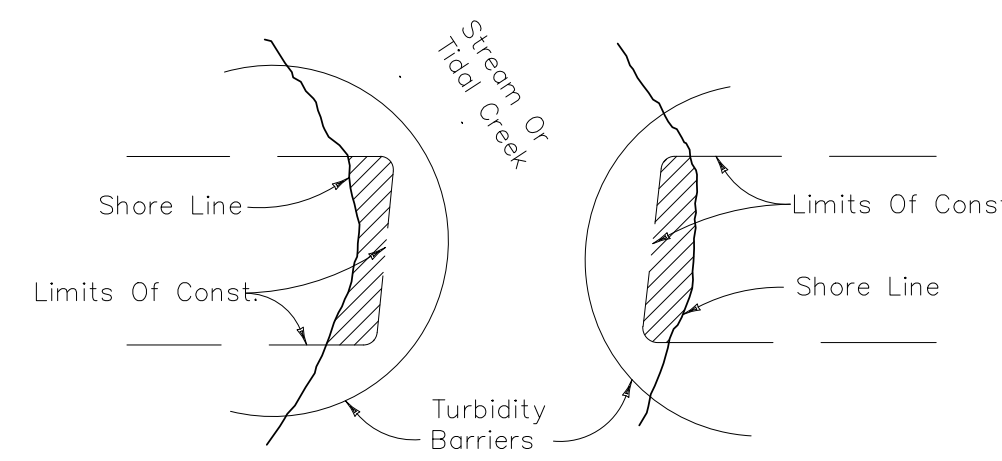
D<sub>1</sub> = 5' Std. (Single Panel For Depths 5' or Less).  
 D<sub>2</sub> = 5' Std. (Additional Panel For Depths 5').  
 Curtain To Reach Bottom Up To Depths Of 10 Feet.  
 Two(2) Panels To Be Used For Depths Greater Than  
 10 Feet Unless Special Depth Curtains Specifically Called  
 For In The Plans Or As Determined By The Engineer.

NOTICE: COMPONENTS OF TYPES ~ AND ~ MAY BE SIMILAR OR IDENTICAL  
 TO PROPRIETARY DESIGNS. ANY INFRINGEMENT ON THE PROPRIETARY  
 RIGHTS OF THE DESIGNER SHALL BE THE SOLE RESPONSIBILITY OF  
 THE USER. SUBSTITUTIONS FOR TYPES ~ AND ~ SHALL BE AS  
 APPROVED BY THE ENGINEER.

### FLOATING TURBIDITY BARRIERS



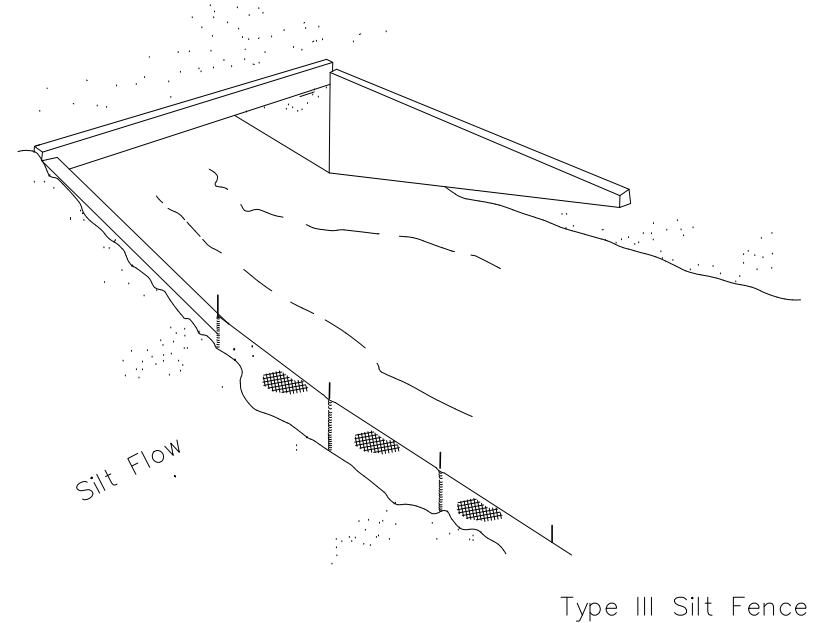
**LEGEND**  
 • Pile Locations  
 [Hatched Area] Dredge Or Fill Area  
 -o- Mooring Buoy w/Anchor  
 -| Anchor  
 [Circle] Barrier Movement Due To Current Action



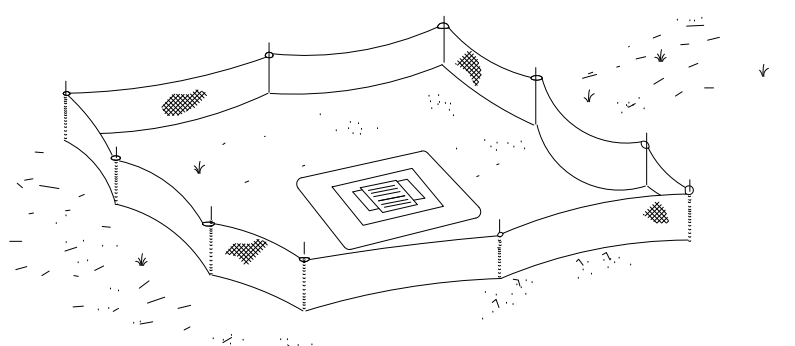
- NOTES:
1. Turbidity barriers are to be used in all permanent bodies of water regardless of water depth.
  2. Number and spacing of anchors dependent on current velocities.
  3. Deployment of barrier around pile locations may vary to accommodate construction operations.
  4. Navigation may require segmenting barrier during construction operations.
  5. For additional information see Section 104 of the Standard Specifications.

Note:  
 Turbidity barriers for flowing streams and tidal creeks may be either floating or staked types or any combinations of types that will suit site conditions and meet erosion control and water quality requirements. The barrier type(s) will be at the Contractors option unless otherwise specified in the plans, however payment will be under the pay item(s) established in the plans for Floating Turbidity Barrier and/or Staked Turbidity Barrier. Posts in staked turbidity barriers to be installed in vertical position unless otherwise directed by the Engineer.

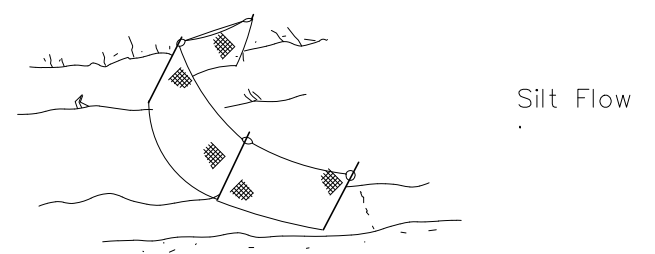
### TURBIDITY BARRIER APPLICATIONS



Type III Silt Fence

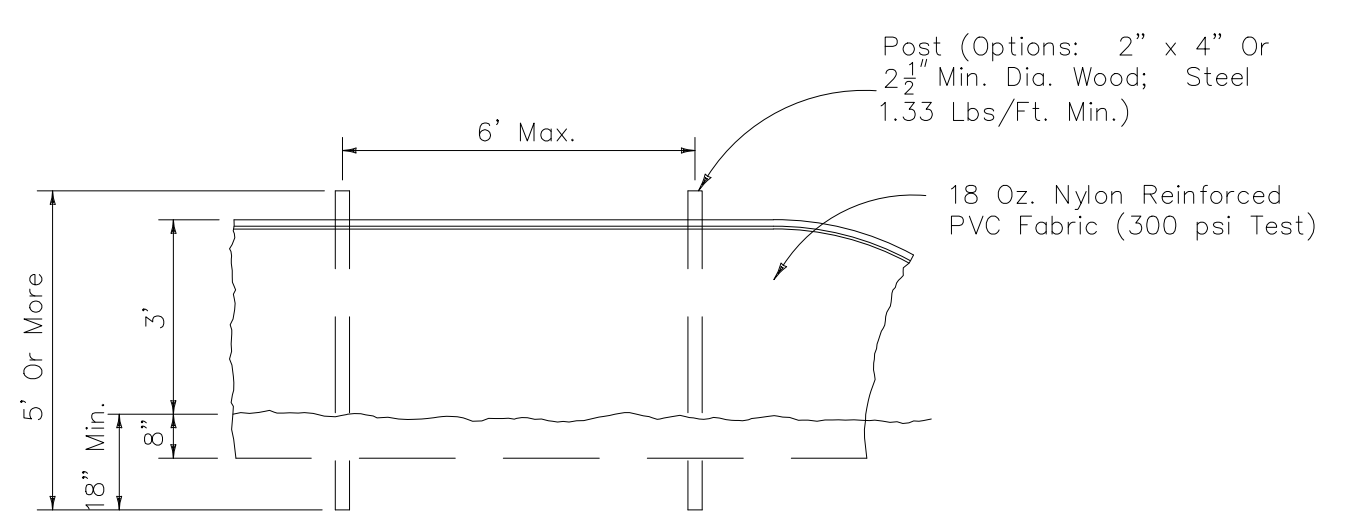


Type III Silt Fence Protection Around Ditch Bottom Inlets.



Do not deploy in a manner that silt fences will act as a dam across permanent flowing watercourses. Silt fences are to be used at upland locations and turbidity barriers used at permanent bodies of water.

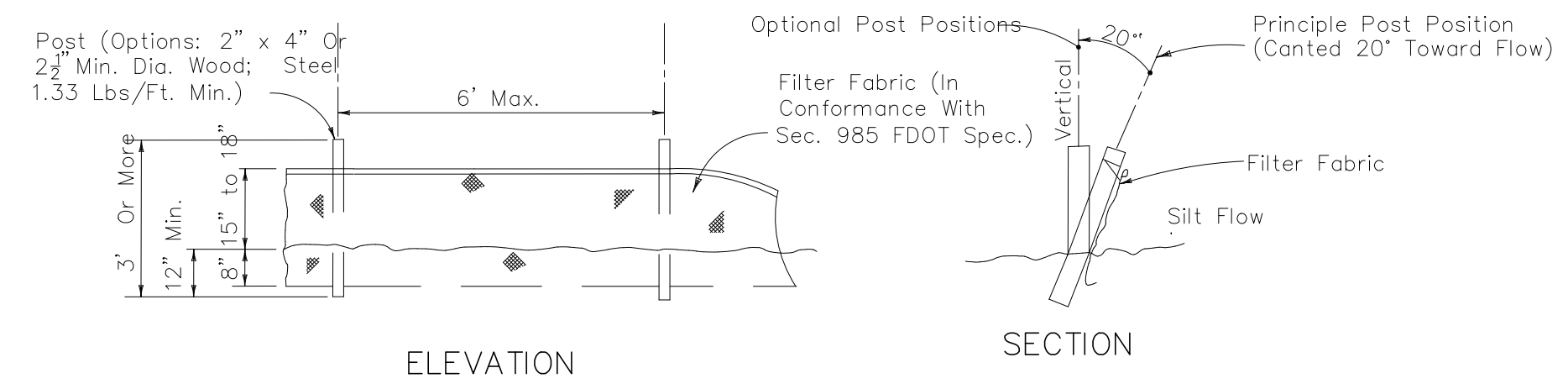
### SILT FENCE APPLICATIONS



### STAKED TURBIDITY BARRIER

**GENERAL NOTES**

1. Floating turbidity barriers are to be paid for under the contract unit price for Floating Turbidity Barrier, LF.
2. Staked turbidity barriers are to be paid for under the contract unit price for Staked Turbidity Barrier, LF.



Note: Silt Fence to be paid for under the contract unit price for Staked Silt Fence (LF).

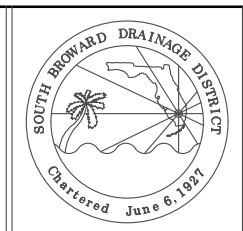
### TYPE III SILT FENCE

NO	DATE	REVISION	BY	NO	DATE	REVISION	BY
3	01-22-18	UPDATED BIDD PLANS	KH				
2	10-13-17	UPDATED BIDD PLANS	KH				
1	8-30-17	BROWARD COUNTY ENVIRONMENTAL RESOURCE PERMIT	KH				

SOUTH BROWARD DRAINAGE DISTRICT  
 6591 SW 160th AVE  
 SOUTHWEST RANCHES, FL. 33331


EROSION CONTROL DETAILS  
 SOUTHWEST RANCHES, FLORIDA  
 S.W. 55th ST. & S.W. 185th WAY

DRAWN BY:  
 J.K.S.  
 APPROVED BY:  
 K.M.H.  
 DATE 8-16-16

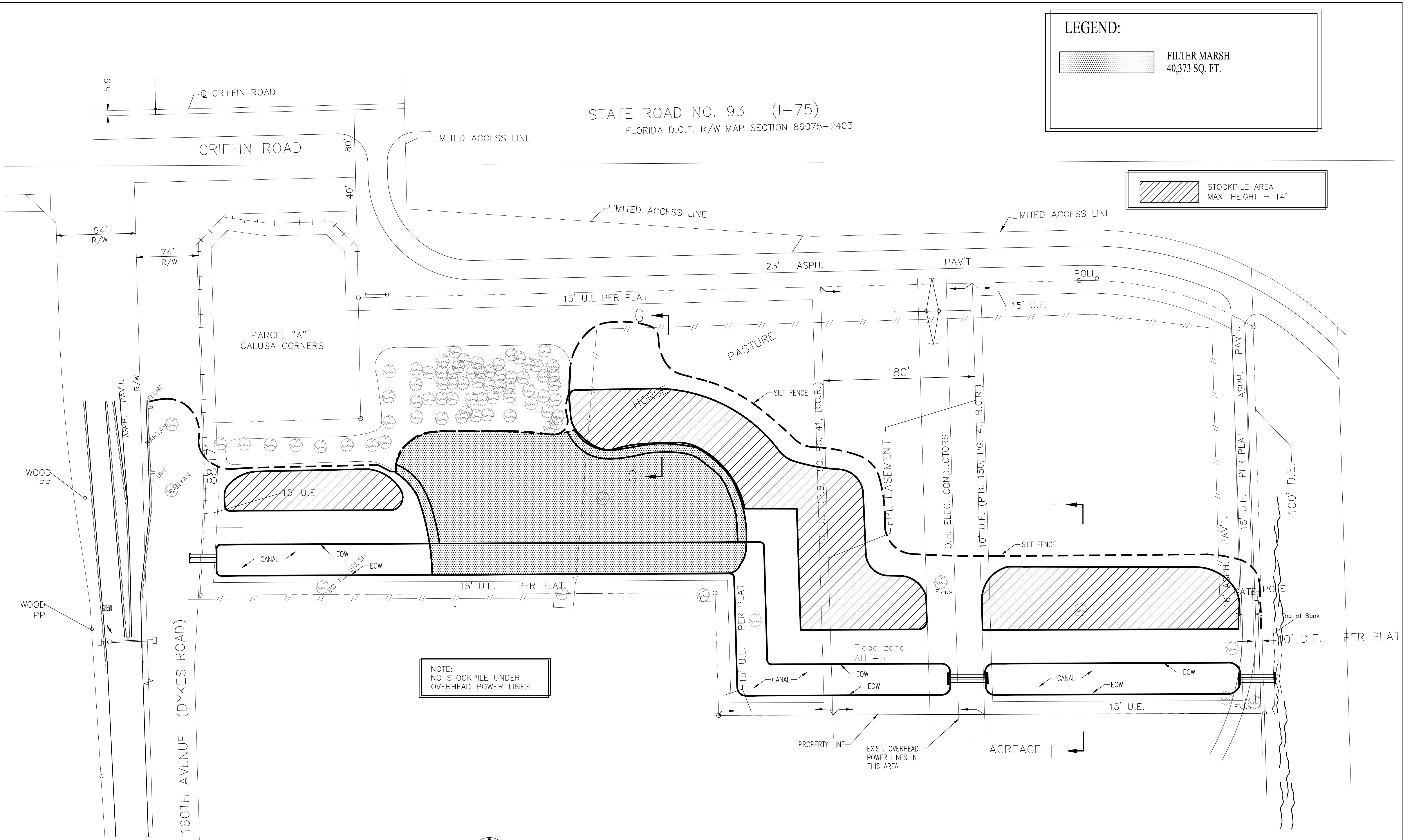


SCALE AS NOTED  
 PROJECT No  
 CAD FILE

**LEGEND:**

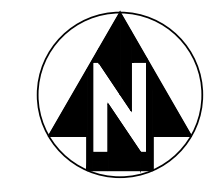
 FILTER MARSH  
40,373 SQ. FT.

 STOCKPILE AREA  
MAX. HEIGHT = 14'



NOTE:  
NO STOCKPILE UNDER  
OVERHEAD POWER LINES

# DISPOSAL & CONTAINMENT PLAN



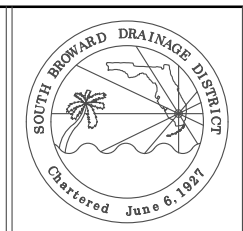
SCALE: 1"=50'-0"

NO	DATE	REVISION	BY	NO	DATE	REVISION	BY
3	01-22-18	UPDATED BIDD PLANS	KH				
2	10-13-17	UPDATED BIDD PLANS	KH				
1	8-30-17	BROWARD COUNTY ENVIRONMENTAL RESOURCE PERMIT	KH				

SOUTH BROWARD DRAINAGE DISTRICT  
6591 SW 160th AVE  
SOUTHWEST RANCHES, FL. 33331

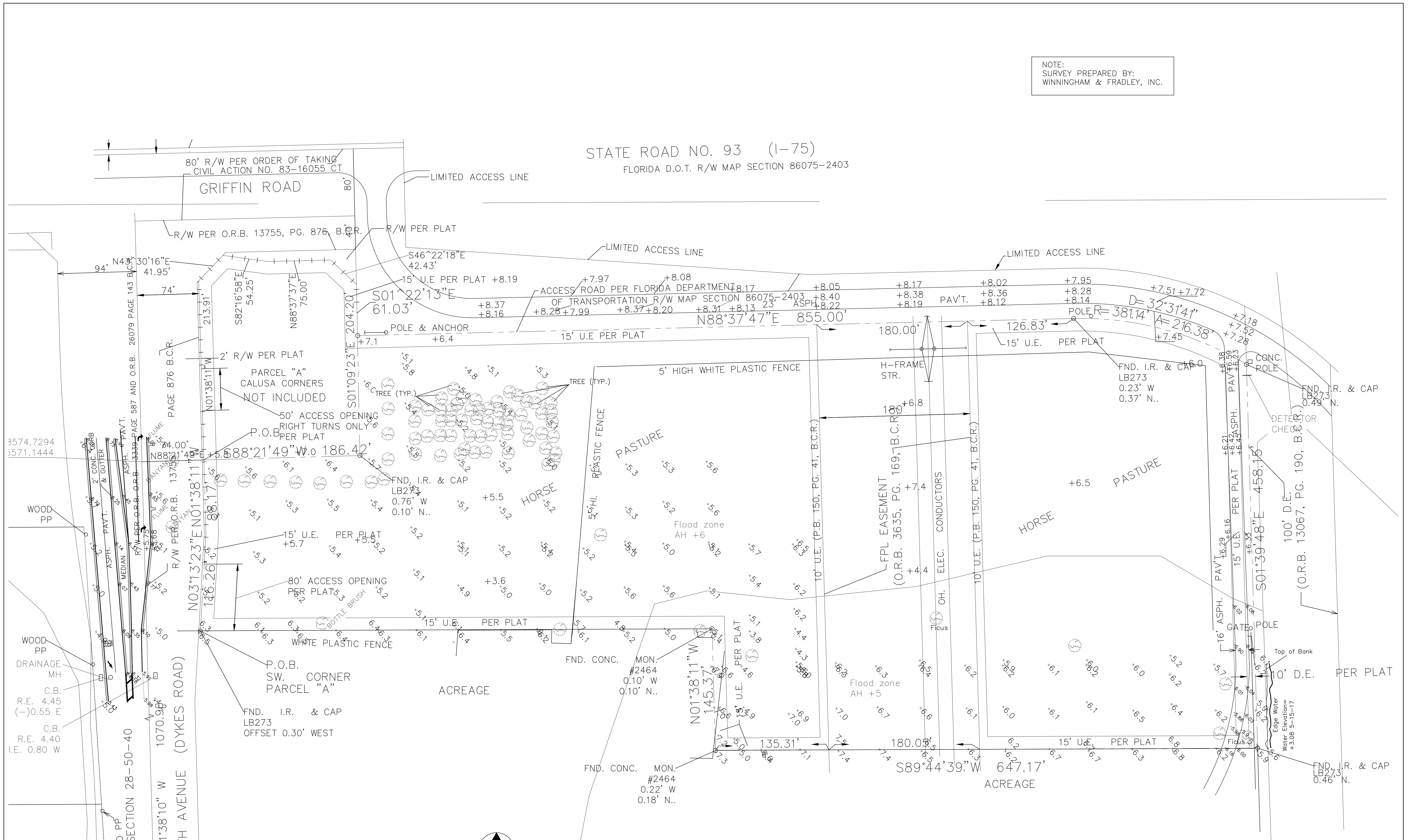
## DISPOSAL & SOIL CONTAINMENT PLAN SOUTHWEST RANCHES, FLORIDA DYKES RD DRAINAGE AND WATER QUALITY PROJECT

DRAWN BY:  
J.K.S.  
APPROVED BY:  
K.M.H.  
DATE 6-2-2017

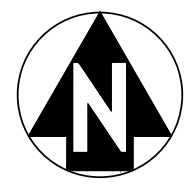


SCALE AS NOTED  
PROJECT No  
CAD FILE

NOTE:  
SURVEY PREPARED BY:  
WINNINGHAM & FRADLEY, INC.



**SURVEY**



SCALE: 1"=50'-0"

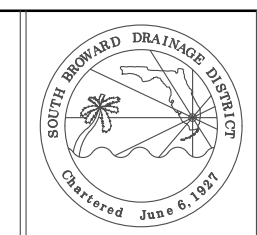
NOTES:  
• ALL ELEVATIONS ARE BASED ON NGVD '29 DATUM  
• CONVERSION FROM NGVD '29 DATUM TO NAVD '88 IS NAVD '88 + 1.51' = NGVD '29

NO	DATE	REVISION	BY	NO	DATE	REVISION	BY
3	01-22-18	UPDATED BIDD PLANS	KH				
2	10-13-17	UPDATED BIDD PLANS	KH				
1	8-30-17	BROWARD COUNTY ENVIRONMENTAL RESOURCE PERMIT	KH				

SOUTH BROWARD DRAINAGE DISTRICT  
6591 SW 160th AVE  
SOUTHWEST RANCHES, FL. 33331

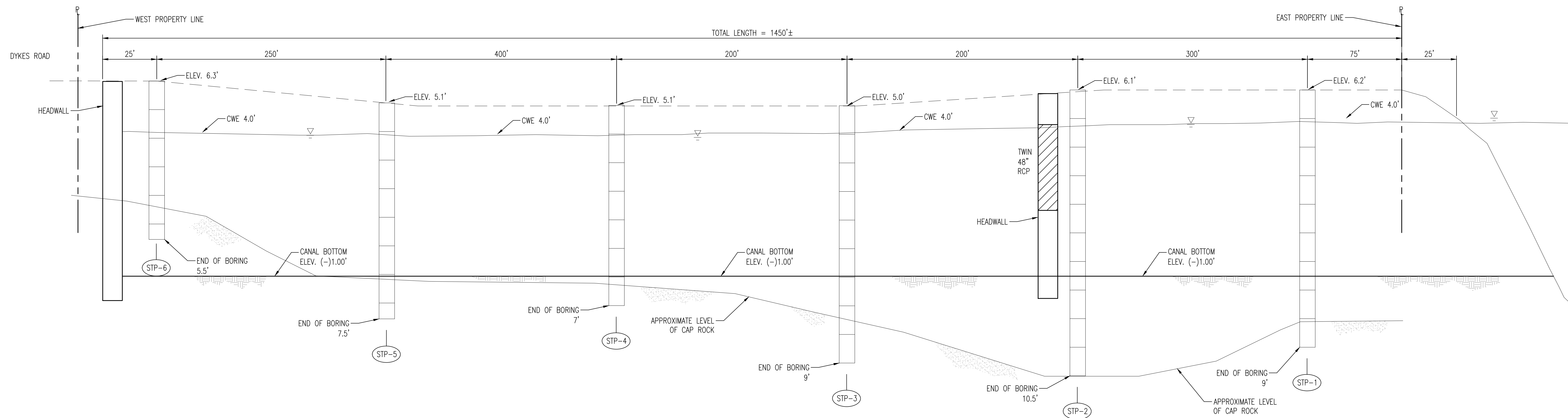
**SURVEY**  
**SOUTHWEST RANCHES, FLORIDA**  
**DYKES RD DRAINAGE AND WATER QUALITY PROJECT**

DRAWN BY:  
J.K.S.  
APPROVED BY:  
K.M.H.  
DATE 6-2-2017



SCALE AS NOTED  
PROJECT NO.  
CAD FILE

SHEET  
10 OF 10



# PROPOSED CANAL PROFILE

NO SCALE

- NOTES:
- ALL ELEVATIONS ARE BASED ON NGVD '29 DATUM
  - CONVERSION FROM NGVD '29 DATUM IS NAVD '88 + 1.51' = NGVD '29

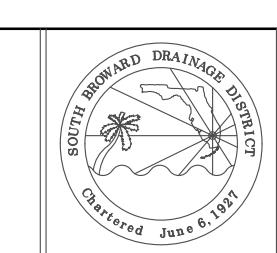
- NOTES:
1. ALL DISTANCES, DEPTHS, ELEVATIONS, ETC. ARE APPROXIMATE.
  2. SOIL BORING DATA IS BASED ON GEOTECHNICAL REPORT PREPARED EAST COAST TESTING & ENGINEERING, INC.
  3. BIDDERS/CONTRACTORS SHALL PERFORM THEIR OWN INDEPENDENT INVESTIGATION/TESTING AS NECESSARY.

NO	DATE	REVISION	BY	NO	DATE	REVISION	BY
3	01-22-18	UPDATED BIDD PLANS	KH				
2	10-13-17	UPDATED BIDD PLANS	KH				
1	8-30-17	BROWARD COUNTY ENVIRONMENTAL RESOURCE PERMIT	KH				

SOUTH BROWARD DRAINAGE DISTRICT  
 6591 SW 160th AVE  
 SOUTHWEST RANCHES, FL. 33331

CANAL PROFILE  
 SOUTHWEST RANCHES, FLORIDA  
 DYKES ROAD DRAINAGE AND WATER QUALITY PROJECT

DRAWN BY:  
 J.K.S.  
 APPROVED BY:  
 K.M.H.  
 DATE 6-2-2017



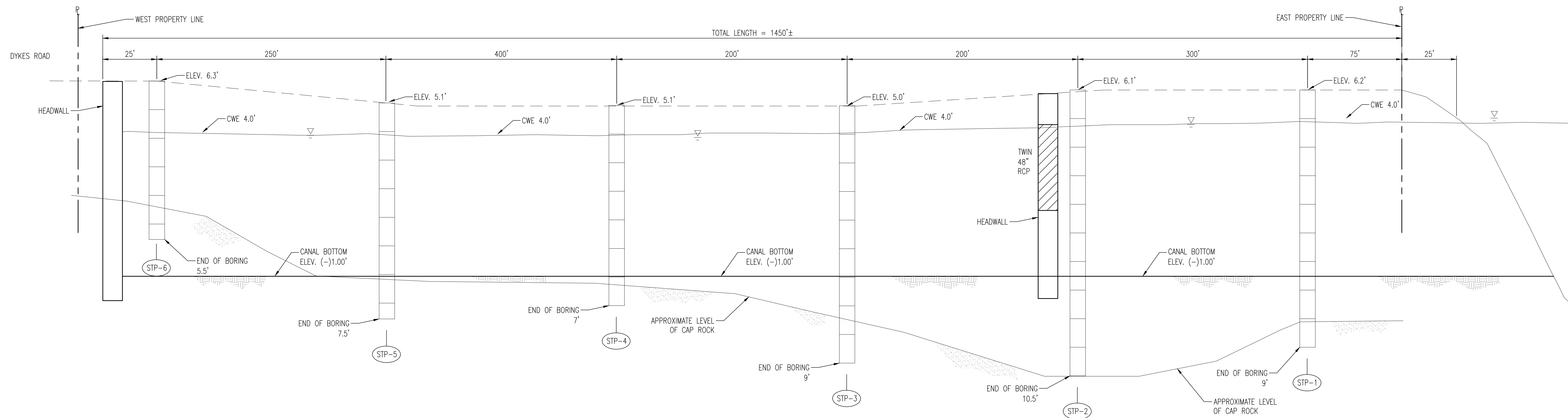
SCALE AS NOTED  
 PROJECT No  
 CAD FILE

SHEET  
 1 OF 1



**EXHIBIT “D”**

CALUSA CORNERS CANAL PROFILE



# PROPOSED CANAL PROFILE

NO SCALE

- NOTES:
- ALL ELEVATIONS ARE BASED ON NGVD '29 DATUM
  - CONVERSION FROM NGVD '29 DATUM IS NAVD '88 + 1.51' = NGVD '29

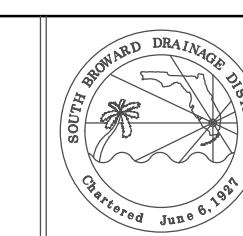
- NOTES:
1. ALL DISTANCES, DEPTHS, ELEVATIONS, ETC. ARE APPROXIMATE.
  2. SOIL BORING DATA IS BASED ON GEOTECHNICAL REPORT PREPARED EAST COAST TESTING & ENGINEERING, INC.
  3. BIDDERS/CONTRACTORS SHALL PERFORM THEIR OWN INDEPENDENT INVESTIGATION/TESTING AS NECESSARY.

NO	DATE	REVISION	BY	NO	DATE	REVISION	BY
3	01-22-18	UPDATED BIDD PLANS	KH				
2	10-13-17	UPDATED BIDD PLANS	KH				
1	8-30-17	BROWARD COUNTY ENVIRONMENTAL RESOURCE PERMIT	KH				

SOUTH BROWARD DRAINAGE DISTRICT  
 6591 SW 160th AVE  
 SOUTHWEST RANCHES, FL. 33331

CANAL PROFILE  
 SOUTHWEST RANCHES, FLORIDA  
 DYKES ROAD DRAINAGE AND WATER QUALITY PROJECT

DRAWN BY:  
 J.K.S.  
 APPROVED BY:  
 K.M.H.  
 DATE 6-2-2017



SCALE AS NOTED  
 PROJECT No  
 CAD FILE

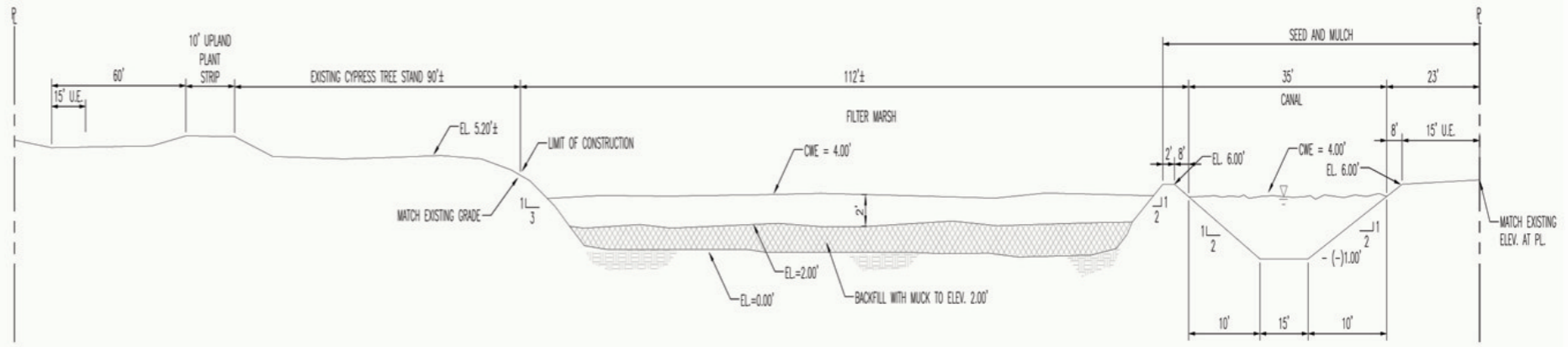
SHEET  
 1 OF 1

**EXHIBIT “E”**

PLANTING PLAN

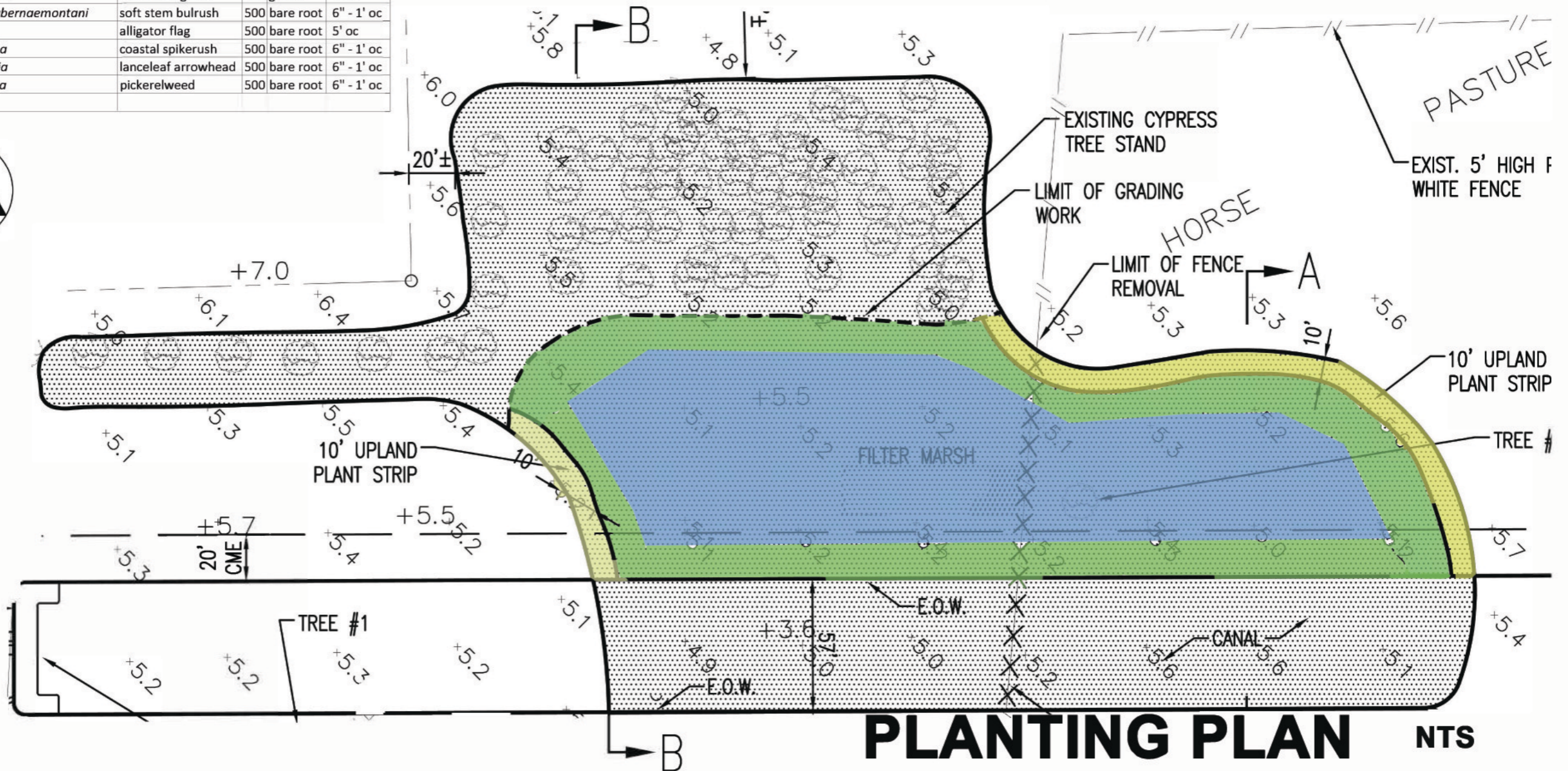
# Add Alternate 1

s. name	c. name	qty	spec size	spacing
<b>UPLAND BUFFER - TREES AND SHRUBS</b>				
<i>Annona glabra</i>	pond apple	6	7 gallon	5' oc
<i>Conocarpus erectus</i>	green buttonwood	3	25 gallon	N/A
<i>Taxodium distichum</i>	bald cypress	6	15 gallon	10' oc
<i>chrysobalanus icaco</i>	cocoplum	9	3 gallon	15' oc, where applicable
<i>forestiera segregata</i>	florida privet	6	7 gallon	5' oc
<b>TRANSITIONAL SLOPE - SHRUBS, GROUNDCOVERS, GRASSES</b>				
<i>Acrostichum daneifolium</i>	leather fern	21	gallon	3' oc
<i>Tripsacum floridanum</i>	Florida gama grass	21	gallon	3' oc
<i>Tripsacum dactyloides</i>	fakahatchee grass	21	3 gallon	6' oc
<i>Spartina bakeri</i>	sand cordgrass	15	gallon	7' oc
<i>Muhlenbergia capillaris</i>	muhly grass	15	gallon	3' oc
<i>Crinum americanum</i>	string/swamp lily	6	gallon	3' oc
<b>FILTER MARSH</b>				
<i>Cladium jamaicense</i>	native sawgrass	21	gallon	7' oc
<i>Schoenoplectus tabernaemontani</i>	soft stem bulrush	500	bare root	6" - 1' oc
<i>Thalia geniculata</i>	alligator flag	500	bare root	5' oc
<i>Eleocharis cellulosa</i>	coastal spikerush	500	bare root	6" - 1' oc
<i>Sagittaria lancifolia</i>	lanceleaf arrowhead	500	bare root	6" - 1' oc
<i>Pontederia cordata</i>	pickerelweed	500	bare root	6" - 1' oc



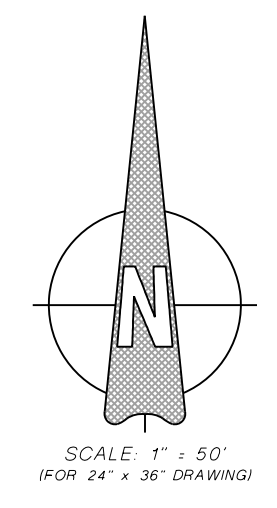
SECTION B-B

NO SCALE



**EXHIBIT “F”**

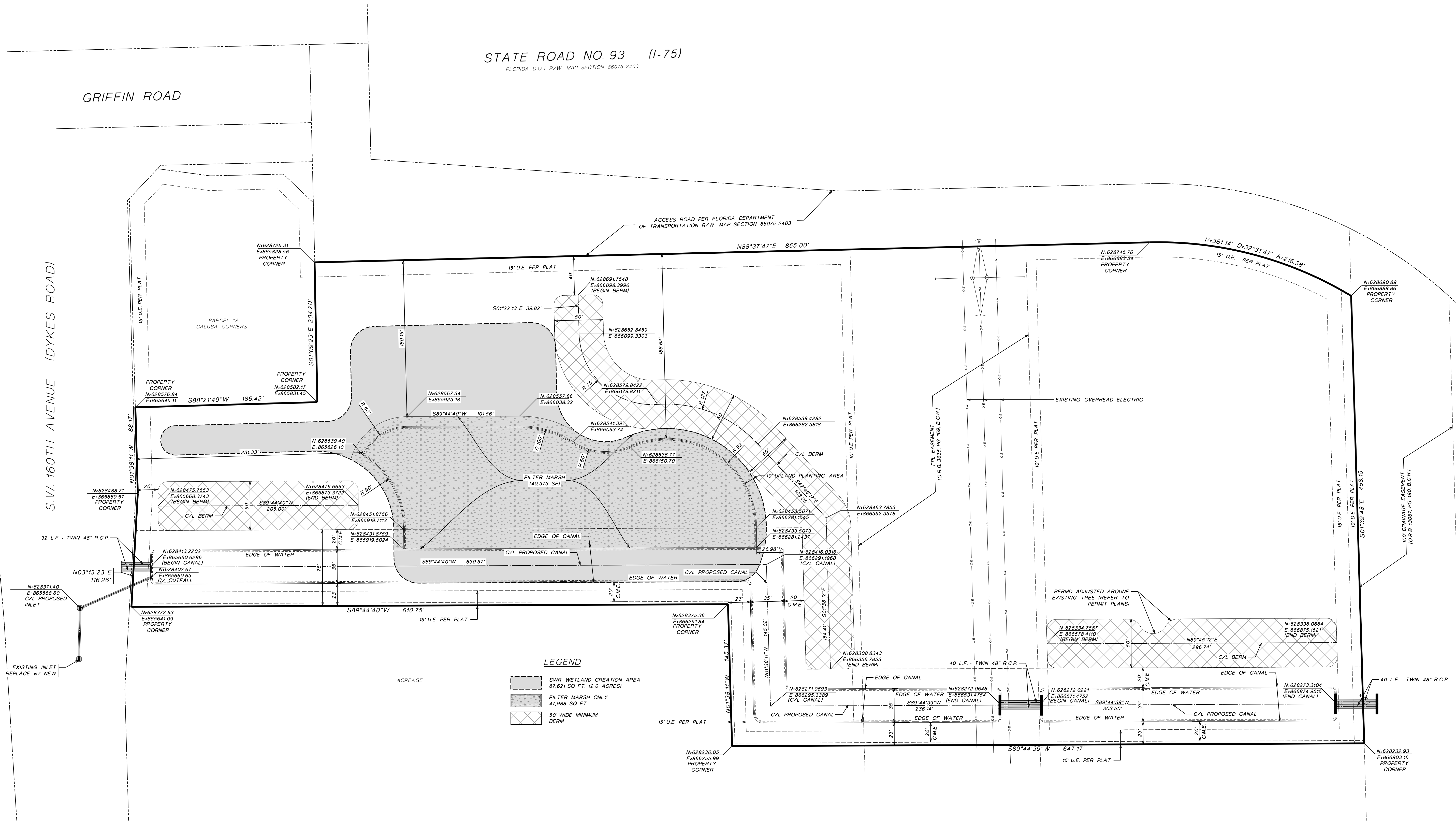
HORIZONTAL CONTROL PLAN



STATE ROAD NO. 93 (I-75)  
FLORIDA D.O.T. R/W MAP SECTION 86075-2403

GRIFFIN ROAD

S.W. 160TH AVENUE (IDYKES ROAD)



LEGEND

- SWR WETLAND CREATION AREA  
87,621 SQ. FT. (2.0 ACRES)
- FILTER MARSH ONLY  
47,988 SQ. FT.
- 50' WIDE MINIMUM BERM

ACREAGE

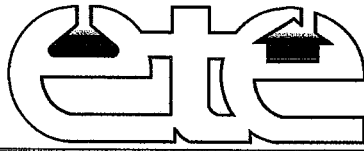
HORIZONTAL CONTROL  
PLAN  
CALUSA CORNERS  
TOWN OF SOUTHWEST RANCHES

**WINNINGHAM & FRADLEY, INC.**  
ENGINEERS - PLANNERS - SURVEYORS  
111 N.E. 44th STREET, CHESAPEAKE, FL 33511 (904) 771-2800 FAX 904-771-0388 www.wfinc.com

DESIGNED: AMF	DATE: 08/2017	APPROVED:
DRAWN: AMF	DATE: 08/2017	
2 UPDATE PER CONSTRUCTION PLAN REVISION	02/07/2018	CHECKED: DATE:
1 UPDATE PER CONSTRUCTION PLAN REVISION	10/29/2017	
NO. REVISIONS	DATE	PUBLISHED: 2/7/2018 10:50:08 PM

PROJECT NUMBER: S17.0001 SHEET: HC1 OF 1

**APPENDIX**  
SOIL REPORT



---

**EASTCOAST TESTING & ENGINEERING, INC.**

4100 North Powerline Rd. - Suite G-1

Pompano Beach, Florida 33073

Broward (954) 972-7645 (SOIL) - Dade (954) 972-7645

4361 Okeechobee Blvd. - Suite A-5

West Palm Beach, Florida 33409

(954) 972-"SOIL"

---

FACSIMILE #954-971-8872

ESTABLISHED 1981

ETE@BELLSOUTH.NET

**APRIL 25, 2017**

**REPORT OF GEOTECHNICAL EXPLORATION &  
ENGINEERING ANALYSIS - RECOMMENDATION**

**FOR**

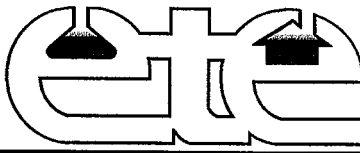
**COMMUNITY SERVICES**

**TOWN OF SW RANCHES**

**PROPOSED FUTURE DEVELOPMENT / DRAINAGE**

**CALUSA CORNERS PARK  
4701 HAWKES BLUFF AVENUE  
SW RANCHES, FLORIDA  
BROWARD COUNTY, FLORIDA**





---

**EASTCOAST TESTING & ENGINEERING, INC.**

4100 North Powerline Rd. - Suite G-1

Pompano Beach, Florida 33073

Broward (954) 972-7645 (SOIL) - Dade (954) 972-7645

4361 Okeechobee Blvd. - Suite A-5

West Palm Beach, Florida 33409

(954) 972-"SOIL"

---

FACSIMILE #954-971-8872

ESTABLISHED 1981

ETE@BELLSOUTH.NET

**April 25, 2017**

**REPORT OF ENGINEERING STATEMENT for: Community Services - Town of SW  
Ranches**

**PROJECT : SUBSOIL INVESTIGATION for: Proposed Development / Drainage**

**LOCATION: SW 55<sup>th</sup> Street & SW 185<sup>th</sup> Way  
SW Ranches, Florida  
Broward County, Florida**

**To Whom it May Concern;**

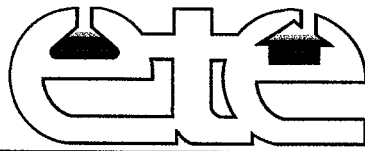
*As per your request we have completed the subsurface investigation at the above referenced project location. Six, (6) standard penetration test borings were performed at the above referenced site on April 19, 2017.*

*The test boring locations were determined by our client, and are indicated on the test boring report logs, (attached survey). A review of our boring logs indicate that beneath the surface the upper levels of subsoils are comprised of organic sands, and silty sands with root, (muck) in a loose compaction condition to +/-2.0-4.0 feet below grade. Below these upper layers our borings disclosed stratum of silty limestone fragments, and limestone fragments with some/little calcareous silty sands in a medium dense compaction condition to +/-4.0-6.0 feet below the land surface. Underlying these substratum our borings discovered multifarious stratum of limestone fragments with some/little calcareous silty sands which varied from a medium dense to a very dense state of relative consolidation which extended to -10.5 feet below the existing surface grade elevation. These very dense unweathered limestone formation terminated our subsurface exploration at ten and one-half feet, maximum penetration due to refusal conditions.*

*As part of the geotechnical exploration for this project we reviewed the Soil Survey Map for Eastern Broward County, Florida. These maps revealed that at the time the survey was conducted, the soils in this area were described as Da, Dania Muck, and Ha, Hallandale fine sand. This Dania series is a nearly level, very poorly drained organic soil underlain by limestone at a depth of 14 to 20 inches. It is in broad flats along the eastern edge of the Everglades.*

*The Hallandale series consists of nearly level, very poorly drained sandy soils in broad flats east of the Everglades and west of the Atlantic Coastal Ridge. These soils formed in sandy marine sediment over limestone. Under natural conditions ponding may occur after heavy rains. During very dry periods water remains briefly in solution holes in the limestone. Near large drainage canals the water table fluctuates with the water level in the canals, and much of the time is below a depth of 20 inches.*

*Included with this complex in mapping are areas of Margate fine sand, Dania muck, and Plantation muck. In some areas a layer of organic material is on the surface.*



**EASTCOAST TESTING & ENGINEERING, INC.**

4100 North Powerline Rd. - Suite G-1  
Pompano Beach, Florida 33073

4361 Okeechobee Blvd. - Suite A-5  
West Palm Beach, Florida 33409  
(954) 972-"SOIL"

Broward (954) 972-7645 (SOIL) - Dade (954) 972-7645

FACSIMILE #954-971-8872

ESTABLISHED 1981

ETE@BELLSOUTH.NET

Page #2. Lab #7170630  
4701 Hawkes Bluff Avenue  
SW Ranches, Florida

The boring location was determined by our client, and drill supervisor at the time of our investigation. The natural ground water table was discovered to exist to an elevation of +/-3.6"-4'6" below the existing natural ground surface at the time of our boring. Fluctuation in the observed groundwater levels should be expected due to rainfall variations, seasonal climatic changes, construction activity and other on-site specific factors.

**SUBSURFACE SOIL PROFILE AND PROPERTIES**

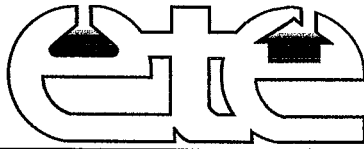
To assist in the drainage improvements for the proposed project, field modifications and/or renovations we have provided a general soil profile listed below.

**FUTURE DEVELOPMENT / DRAINAGE FOR CALUSA PARK - TOWN OF SW RANCHES**

General Soil Description	Depth of Strata	Average N	Approximate Relative Density	Nq	Phi
Organic sands, Organic silts some root	0-+/-3.0 feet	7	Loose Dr=0.15	22.5	30
Silty Limestone Fragments	+/-3.0-5.0 feet	30	Medium Dense Dr=.35	36	34
Limestone Fragments some/little calcareous silty sand	+/-5.0-10.5 feet	153+	Very Dense Dr=.85	<50	>40

Note: Refusal @ 5.5-10.5 feet  
Bottom of Borings @ 10.5 Feet, (Test boring #2) - (Nq after Terzaghi)

The standard penetration test borings were performed in accordance with Chapter 18 of the 2014 Florida Building Code, current edition, ASTM D-1586, AASHTO, and the U.S. Department of Housing and Urban Development standard specifications.



---

**EASTCOAST TESTING & ENGINEERING, INC.**

4100 North Powerline Rd. - Suite G-1

Pompano Beach, Florida 33073

Broward (954) 972-7645 (SOIL) - Dade (954) 972-7645

4361 Okeechobee Blvd. - Suite A-5

West Palm Beach, Florida 33409

(954) 972-"SOIL"

---

FACSIMILE #954-971-8872

ESTABLISHED 1981

ETE@BELLSOUTH.NET

Page #3. Lab #7170630  
4701 Hawkes Bluff Avenue  
SW Ranches, Florida

**CONSTRUCTION PLAN & SPECIFICATIONS REVIEW**

*It is recommended that this office be provided the opportunity to make a general review of the foundation and earthwork plans and specifications prepared from the recommendations presented in this report.*

*Our report has been written in a guideline recommendation format and is not appropriate for use as a specification-type format. It is recommended that this report not be made a part of the contract documents, however, it should be made available to prospective contractors for information purposes.*

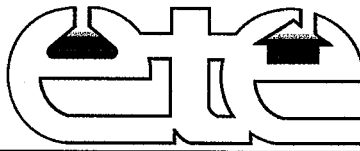
**CONSTRUCTION RELATED SERVICES**

*We recommend the owner retain Eastcoast Testing & Engineering, Inc. to perform construction materials testing and observations on this site. Field tests and observations include foundation and pavement subgrades by performing quality assurance testing on the placement of compacted structural fills, and pavement courses. We can also provide concrete testing, pavement section testing, structural steel testing, general construction observation services, and Special Inspection services.*

**LIMITATIONS**

*Our geotechnical exploration study has been performed, our findings obtained, and our recommendations prepared in accordance with generally accepted geotechnical engineering conclusions and practices. EastCoast Testing & Engineering, Inc., (ETE) is not responsible for any independent conclusions, opinions or recommendations made by others based on the data contained in this report.*

*This report does not reflect any variations which may occur away from the soil borings. The discovery of any subsurface conditions which deviates from the data obtained during this geotechnical investigation should be reported to us for further analysis and evaluation.*



---

**EASTCOAST TESTING & ENGINEERING, INC.**

4100 North Powerline Rd. - Suite G-1

Pompano Beach, Florida 33073

Broward (954) 972-7645 (SOIL) - Dade (954) 972-7645

4361 Okeechobee Blvd. - Suite A-5

West Palm Beach, Florida 33409

(954) 972-"SOIL"

---

FACSIMILE #954-971-8872

ESTABLISHED 1981

ETE@BELLSOUTH.NET

Page #4. Lab #7170630  
4701 Hawkes Bluff Avenue  
SW Ranches, Florida

*This testing program is only representative of the area tested. Shall unusual or varying conditions be encountered during construction, further engineering services will be required.*

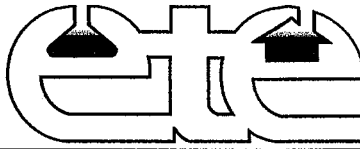
### **The Standard Penetration Test ASTM D-1586**

*The Standard Penetration Test is the most commonly employed tool utilized to identify in-situ subsurface soil conditions. The "N" values obtained from the boring provide an accurate estimation of internal soil characteristics such as relative density, internal shear strength, angle of internal friction, and the approximate range of the soil's unit weight. These "N" values represent the resistance of a 2 inch diameter split spoon sampler driven by a 140 pound hammer free falling 30 inches. Each drive of the 24 inch long split spoon is divided into four six inch increments. The second and third increments are totaled to produce the "N" value found on your report.*

*The Standard Penetration Test also allows for the recovery of soil samples which are returned to our laboratory and visually examined and classified. The SPT samples are available for laboratory testing if requested. Samples are generally held for 90 days unless otherwise directed by the client.*

*An approximate ground water table is obtained from the borehole upon completion of the drilling procedures. This water table is useful in the general evaluation of particular soil conditions, and may give the contractor some insight into what can be anticipated during construction. It should be noted that the ground water level will fluctuate seasonally. This level may also be affected by local draw-downs, soil conditions, and the watersheds contribution to the underlying aquifer. It should not be construed to be a measure of the soils permeability, or of the de-watering characteristics of the site.*

*Although the standard penetration test is one of the most reliable methods used to identify soil characteristics and types, it may only represent a small fraction of the materials actually deposited at the site. As is common industry practice, we have assumed a uniformity of profile between borings to provide a subsoil profile for engineering purposes. This profile is strictly based on the data obtained from the borings, and if unusual or varying conditions are found we should be notified immediately.*



---

**EASTCOAST TESTING & ENGINEERING, INC.**

4100 North Powerline Rd. - Suite G-1

Pompano Beach, Florida 33073

Broward (954) 972-7645 (SOIL) - Dade (954) 972-7645

4361 Okeechobee Blvd. - Suite A-5

West Palm Beach, Florida 33409

(954) 972-"SOIL"

---

FACSIMILE #954-971-8872

ESTABLISHED 1981

ETE@BELLSOUTH.NET

Page #5. Lab #7170630  
4701 Hawkes Bluff Avenue  
SW Ranches, Florida


*A test is expressly representative of the immediate location tested, and the reliability of the conclusions are a direct result of the quantity of tests performed. Any variation in location may reveal similarly some changes in the depth, thickness, texture, and conditions of the stratum encountered.*

*Unless specifically stated otherwise, and specifically directed and prearranged by the client, all elevations are taken with respect to the existing ground surface at the time of testing. Boring locations are usually obtained in the field by pacing off distances and approximating right angles to landmarks and property corners. More precise locations may be obtained from on site surveys and placement of the boring locations by a Land Surveyor, Registered in the State of Florida. These services are provided at additional costs and are beyond the scope of this report.*

*The data presented herein was obtained for the specific purposes stated in this report, and should not be misconstrued to apply to any other circumstance, project, or ancillary use unless so specified and addressed by the engineer of record.*

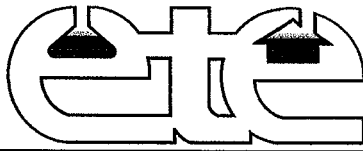
*Thank you for using EASTCOAST TESTING AND ENGINEERING for your geotechnical needs. Should you need further assistance with this or any other project, please contact this office.*

**Respectfully Submitted;**  
**EASTCOAST TESTING & ENGINEERING, INC.**  
**Certification of Authorization #3425**

 4/25/2017  
Mohammed A. Hai, P.E.  
Senior Geotechnical Engineer  
Florida Registration No. 59345

  
Craig Smith, President

F:\data\wpdocs\7170630.swranches.cscores.cs.mh



**EASTCOAST TESTING & ENGINEERING, INC.**

4100 North Powerline Rd. - Suite G-1  
Pompano Beach, Florida 33073

4361 Okeechobee Blvd. - Suite A-5  
West Palm Beach, Florida 33409  
(954) 972-"SOIL"

Broward (954) 972-7645 (SOIL) - Dade (954) 972-7645

FACSIMILE #954-971-8872  
ESTABLISHED 1981

ETE@BELLSOUTH.NET

**TEST BORING REPORT**

LABORATORY NUMBER: <b>7170630-A</b>	BORING NUMBER: <b>1</b>
CLIENT: <b>COMMUNITY SERVICES - TOWN OF SW RANCHES</b>	CUSTOMER #
PROJECT: <b>PROPOSED FUTURE DEVELOPMENT / DRAINAGE PROJECT</b>	CREW CHIEF: <b>H.E.</b>
PROJECT ADDRESS: <b>CALUSA CORNERS PARK - 4701 HAWKES BLUFF AVE. - SW RANCHES, FL</b>	DRILLER: <b>K.V.</b>
BORING LOCATION: <b>TEST BORING #1 - AS SHOWN ON SURVEY, (ATTACHED)</b>	DRILL RIG # <b>F350</b>
GROUND WATER: <b>3'9"</b> DATE: <b>04/19/17</b> ELEV: <b>N/F</b>	CASING: <b>3"</b>

SURVEY NOT GIVEN UNLESS NOTED: (B.E.G.) BELOW EXISTING GRADE- LOCATIONS APPROX. UNLESS STAKED

DEPTH FEET	SAMPLE NUMBER	BORING NUMBER: 1	PAGE NUMBER: 01/01	DEPTH	N VALUES	SPT BLOWS PER 6"		
1	1	DARK BROWN ORGANIC SAND LITTLE LIMESTONE FRAGMENTS, (SP-PT)	0.0"-3.0'	11	4	5		
2	6				5			
3	5				4			
4	2	BROWN SILTY LIMESTONE FRAGMENTS, (GM)	3.0-5.0'	9	5	9		
5	12				11			
6	3	TAN CALCAREOUS SILTY LIMESTONE FRAGMENTS, (GM)	5.0-7.5'	18	7	2		
7	3				8			
8	6				14			
9	4	LIGHT TAN LIMESTONE FRAGMENTS LITTLE CALCAREOUS SILT, (GM)	7.5-9.0'	100+	48	100+		
10								
11								
12								
13								
14								
15								
16								

BOTTOM OF BORING @ 9.0 FEET, (REFUSAL)

STANDARD PENETRATION TEST BORING: BLOWS PER FOOT ON 2" O.D. SAMPLER WITH A 140 LB. HAMMER FALLING 30"

SOIL INVESTIGATION & SAMPLING BY AUGER BORINGS: A.S.T.M. D 1452/STANDARD PENETRATION TEST: ASTM D1586. THE SAMPLES COLLECTED CONSTITUTE A MINUTE PERCENTAGE OF THE SUBSOILS AT THE SITE. AS A MUTUAL PROTECTION THE SOILS WILL BE STORED IN OUR LABORATORY FACILITIES FOR A MAXIMUM OF THREE (3) MONTHS. THE OWNER, ARCHITECT AND/OR ENGINEER ARE ENCOURAGED TO VISUALLY INSPECT SAMPLES PRIOR TO PURCHASE OF PROPERTY AND DESIGN OF THE STRUCTURE.

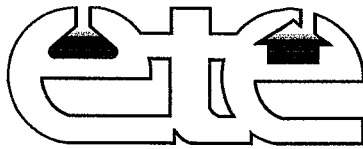
RESPECTFULLY SUBMITTED,  
EASTCOAST TESTING & ENGINEERING, INC.,  
CERTIFICATE OF AUTHORIZATION #3425

M. A. HAI 4/25/2017  
MOHAMMED A. HAI, P.E.  
SENIOR GEOTECHNICAL ENGINEER  
FLORIDA REGISTRATION No. 59345

Craig Smith  
CRAIG SMITH, PRESIDENT

THE INTENT OF THIS REPORT IS NOT FOR ENVIRONMENTAL PURPOSES UNLESS SPECIFIED. AUTHORIZATION FOR PUBLICATION OF STATEMENTS, CONCLUSIONS, CERTIFICATIONS OR EXTRACTS REGARDING THIS OR ANY OTHER TEST REPORT BY THIS FIRM, (ETE) IS STRICTLY PROHIBITED UNLESS WRITTEN AUTHORIZATION IS PROVIDED AND APPROVED BY EASTCOAST TESTING & ENGINEERING, INC.

THRESHOLD/SPECIAL INSPECTIONS, BORINGS, DENSITY, CONCRETE, ASPHALT, ETC, A "GEOTECHNICAL TESTING LAB"



**EASTCOAST TESTING & ENGINEERING, INC.**

4100 North Powerline Rd. - Suite G-1  
Pompano Beach, Florida 33073

4361 Okeechobee Blvd. - Suite A-5  
West Palm Beach, Florida 33409  
(954) 972-"SOIL"

Broward (954) 972-7645 (SOIL) - Dade (954) 972-7645

FACSIMILE #954-971-8872

ESTABLISHED 1981

ETE@BELLSOUTH.NET

**TEST BORING REPORT**

LABORATORY NUMBER: <b>7170630-B</b>	BORING NUMBER: <b>2</b>
CLIENT: <b>COMMUNITY SERVICES - TOWN OF SW RANCHES</b>	CUSTOMER #
PROJECT: <b>PROPOSED FUTURE DEVELOPMENT / DRAINAGE PROJECT</b>	CREW CHIEF: <b>H.E.</b>
PROJECT ADDRESS: <b>CALUSA CORNERS PARK - 4701 HAWKES BLUFF AVE. - SW RANCHES, FL</b>	DRILLER: <b>K.V.</b>
BORING LOCATION: <b>TEST BORING #2 - AS SHOWN ON SURVEY, (ATTACHED)</b>	DRILL RIG # <b>F350</b>
GROUND WATER: <b>3'6"</b> DATE: <b>04/19/17</b> ELEV: <b>N/F</b>	CASING: <b>3"</b>

SURVEY NOT GIVEN UNLESS NOTED: (B.E.G.) BELOW EXISTING GRADE- LOCATIONS APPROX. UNLESS STAKED

DEPTH FEET	SAMPLE NUMBER	BORING NUMBER: <b>2</b>	PAGE NUMBER: <b>01/01</b>	DEPTH	N VALUES	SPT	
						BLOWS PER 6"	
1	1	DARK BROWN LOAMY SAND WITH ROOT, (SM) - "TOPSOIL"		0.0'-1.0'		3	5
2	2	LIGHT BROWN LIMESTONE FRAGMENTS SOME FINE-MEDIUM GRAINED SAND, (GP)		1.0-3.5'	11	6	12
3						20	20
4						18	18
5	3	TAN LIMESTONE FRAGMENTS LITTLE FINE-MEDIUM GRAINED SAND & CALCAREOUS SILT, (GP)				12	9
6				3.5-10.5'	17	8	5
7						4	2
8						8	9
9						13	14
10						33	25
11						100+	100+
12							
13		BOTTOM OF BORING @ 10.5 FEET, (REFUSAL)					
14							
15							
16							

STANDARD PENETRATION TEST BORING:

BLOWS PER FOOT ON 2" O.D. SAMPLER WITH A 140 LB. HAMMER FALLING 30"

SOIL INVESTIGATION & SAMPLING BY AUGER BORINGS: A.S.T.M. D 1452/STANDARD PENETRATION TEST: ASTM D1586. THE SAMPLES COLLECTED CONSTITUTE A MINUTE PERCENTAGE OF THE SUBSOILS AT THE SITE. AS A MUTUAL PROTECTION THE SOILS WILL BE STORED IN OUR LABORATORY FACILITIES FOR A MAXIMUM OF THREE (3) MONTHS. THE OWNER, ARCHITECT AND/OR ENGINEER ARE ENCOURAGED TO VISUALLY INSPECT SAMPLES PRIOR TO PURCHASE OF PROPERTY AND DESIGN OF THE STRUCTURE.

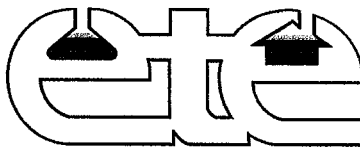
**RESPECTFULLY SUBMITTED,  
EASTCOAST TESTING & ENGINEERING, INC.,  
CERTIFICATE OF AUTHORIZATION #3425**

*M. Hai* 4/25/2017  
**MOHAMMED A. HAI, P.E.**  
SENIOR GEOTECHNICAL ENGINEER  
FLORIDA REGISTRATION No. 59345

*Craig Smith*  
**CRAIG SMITH, PRESIDENT**

THE INTENT OF THIS REPORT IS NOT FOR ENVIRONMENTAL PURPOSES UNLESS SPECIFIED. AUTHORIZATION FOR PUBLICATION OF STATEMENTS, CONCLUSIONS, CERTIFICATIONS OR EXTRACTS REGARDING THIS OR ANY OTHER TEST REPORT BY THIS FIRM, (ETE) IS STRICTLY PROHIBITED UNLESS WRITTEN AUTHORIZATION IS PROVIDED AND APPROVED BY EASTCOAST TESTING & ENGINEERING, INC.

**THRESHOLD/SPECIAL INSPECTIONS, BORINGS, DENSITY, CONCRETE, ASPHALT, ETC, A "GEOTECHNICAL TESTING LAB"**



**EASTCOAST TESTING & ENGINEERING, INC.**

4100 North Powerline Rd. - Suite G-1  
Pompano Beach, Florida 33073

4361 Okeechobee Blvd. - Suite A-5  
West Palm Beach, Florida 33409  
(954) 972-"SOIL"

Broward (954) 972-7645 (SOIL) - Dade (954) 972-7645

FACSIMILE #954-971-8872

ESTABLISHED 1981

ETE@BELLSOUTH.NET

**TEST BORING REPORT**

LABORATORY NUMBER: <b>7170630-C</b>	BORING NUMBER: <b>3</b>
CLIENT: <b>COMMUNITY SERVICES - TOWN OF SW RANCHES</b>	CUSTOMER #
PROJECT: <b>PROPOSED FUTURE DEVELOPMENT / DRAINAGE PROJECT</b>	CREW CHIEF: <b>H.E.</b>
PROJECT ADDRESS: <b>CALUSA CORNERS PARK - 4701 HAWKES BLUFF AVE. - SW RANCHES, FL</b>	DRILLER: <b>K.V.</b>
BORING LOCATION: <b>TEST BORING #3 - AS SHOWN ON SURVEY, (ATTACHED)</b>	DRILL RIG # <b>F350</b>
GROUND WATER: <b>4'6"</b> DATE: <b>04/19/17</b> ELEV: <b>N/F</b>	CASING: <b>3"</b>

SURVEY NOT GIVEN UNLESS NOTED: (B.E.G.) BELOW EXISTING GRADE- LOCATIONS APPROX. UNLESS STAKED

DEPTH FEET	SAMPLE NUMBER	BORING NUMBER: <b>3</b>	PAGE NUMBER: <b>01/01</b>	VISUAL SOIL CLASSIFICATION/AASHTO M145/ASTMD2487	DEPTH	N VALUES	SPT	
							BLOWS PER 6"	
1	1			DARK BROWN ORGANIC SAND SOME ROOT, (SP-PT) - "TOPSOIL"	0.0"-2.0'		3	3
2						6	3	2
3	2			VERY DARK BROWN ORGANIC CLAYEY SILT, (OL)	2.0-4.0'		2	3
4						8	5	4
5	3			DARK BROWN SILTY LIMESTONE FRAGMENTS LITTLE ORGANICS, (GM)	4.0-5.0'		5	3
6	4			TAN CALCAREOUS SILTY LIMESTONE FRAGMENTS, (GM)	5.0-9.0'	43	40	32
7							22	18
8						33	15	5
9						70+	6	70+
10								
11								
12								
13								
14								
15								
16								

BOTTOM OF BORING @ 9.0 FEET, (REFUSAL)

STANDARD PENETRATION TEST BORING:

BLOWS PER FOOT ON 2" O.D. SAMPLER WITH A 140 LB. HAMMER FALLING 30"

SOIL INVESTIGATION & SAMPLING BY AUGER BORINGS: A.S.T.M. D 1452/STANDARD PENETRATION TEST: ASTM D1586. THE SAMPLES COLLECTED CONSTITUTE A MINUTE PERCENTAGE OF THE SUBSOILS AT THE SITE. AS A MUTUAL PROTECTION THE SOILS WILL BE STORED IN OUR LABORATORY FACILITIES FOR A MAXIMUM OF THREE (3) MONTHS. THE OWNER, ARCHITECT AND/OR ENGINEER ARE ENCOURAGED TO VISUALLY INSPECT SAMPLES PRIOR TO PURCHASE OF PROPERTY AND DESIGN OF THE STRUCTURE.

**RESPECTFULLY SUBMITTED,  
EASTCOAST TESTING & ENGINEERING, INC.,  
CERTIFICATE OF AUTHORIZATION #3425**

*M. HAI* 4/25/2017

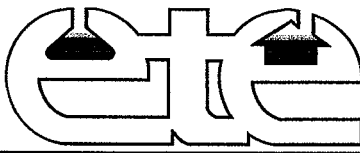
**MOHAMMED A. HAI, P.E.  
SENIOR GEOTECHNICAL ENGINEER  
FLORIDA REGISTRATION No. 59345**

*Craig Smith*  
**CRAIG SMITH, PRESIDENT**

THE INTENT OF THIS REPORT IS NOT FOR ENVIRONMENTAL PURPOSES UNLESS SPECIFIED. AUTHORIZATION FOR PUBLICATION OF STATEMENTS, CONCLUSIONS, CERTIFICATIONS OR EXTRACTS REGARDING THIS OR ANY OTHER TEST REPORT BY THIS FIRM, (ETE) IS STRICTLY PROHIBITED UNLESS WRITTEN AUTHORIZATION IS PROVIDED AND APPROVED BY EASTCOAST TESTING & ENGINEERING, INC.

**THRESHOLD/SPECIAL INSPECTIONS, BORINGS, DENSITY, CONCRETE, ASPHALT, ETC, A "GEOTECHNICAL TESTING LAB"**





**EASTCOAST TESTING & ENGINEERING, INC.**

4100 North Powerline Rd. - Suite G-1  
Pompano Beach, Florida 33073

4361 Okeechobee Blvd. - Suite A-5  
West Palm Beach, Florida 33409  
(954) 972-"SOIL"

Broward (954) 972-7645 (SOIL) - Dade (954) 972-7645

FACSIMILE #954-971-8872

ESTABLISHED 1981

ETE@BELLSOUTH.NET

**TEST BORING REPORT**

LABORATORY NUMBER: **7170630-D**

BORING NUMBER: **4**

CLIENT: **COMMUNITY SERVICES - TOWN OF SW RANCHES**

CUSTOMER #

PROJECT: **PROPOSED FUTURE DEVELOPMENT / DRAINAGE PROJECT**

CREW CHIEF: **H.E.**

PROJECT ADDRESS: **CALUSA CORNERS PARK - 4701 HAWKES BLUFF AVE. - SW RANCHES, FL**

DRILLER: **K.V.**

BORING LOCATION: **TEST BORING #4 - AS SHOWN ON SURVEY, (ATTACHED)**

DRILL RIG # **F350**

GROUND WATER: **4'2"** DATE: **04/19/17** ELEV: **N/F**

CASING: **3"**

SURVEY NOT GIVEN UNLESS NOTED: (B.E.G.) BELOW EXISTING GRADE- LOCATIONS APPROX. UNLESS STAKED

DEPTH FEET	SAMPLE NUMBER	BORING NUMBER: <b>4</b> VISUAL SOIL CLASSIFICATION/AASHTO M145/ASTMD2487	PAGE NUMBER: <b>01/01</b> DEPTH	N		SPT	
				VALUES	BLOWS PER 6"		
1	1	DARK BROWN ORGANIC SILT SOME ROOT, (OL) - "TOPSOIL"	0.0"-2.0'		4	3	
2				4	1	1	
3	2	GRAY-DARK GRAY ORGANIC SILTY LIMESTONE FRAGMENTS, (GM-PT)	2.0-4.0'		1	2	
4				3	1	4	
5	3	TAN-GRAY CALCAREOUS SILTY LIMESTONE FRAGMENTS, (GM)	4.0-7.0'		16	22	
6				37	15	85	
7				70+	47	70+	
8							
9							
10							
11							
12							
13							
14							
15							
16							

BOTTOM OF BORING @ 7.0 FEET, (REFUSAL)

STANDARD PENETRATION TEST BORING: BLOWS PER FOOT ON 2" O.D. SAMPLER WITH A 140 LB. HAMMER FALLING 30"

SOIL INVESTIGATION & SAMPLING BY AUGER BORINGS: A.S.T.M. D 1452/STANDARD PENETRATION TEST: ASTM D1586. THE SAMPLES COLLECTED CONSTITUTE A MINUTE PERCENTAGE OF THE SUBSOILS AT THE SITE. AS A MUTUAL PROTECTION THE SOILS WILL BE STORED IN OUR LABORATORY FACILITIES FOR A MAXIMUM OF THREE (3) MONTHS. THE OWNER, ARCHITECT AND/OR ENGINEER ARE ENCOURAGED TO VISUALLY INSPECT SAMPLES PRIOR TO PURCHASE OF PROPERTY AND DESIGN OF THE STRUCTURE.

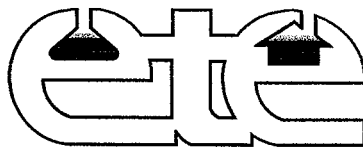
RESPECTFULLY SUBMITTED,  
EASTCOAST TESTING & ENGINEERING, INC.,  
CERTIFICATE OF AUTHORIZATION #3425

M. A. Hai 4/25/2017  
MOHAMMED A. HAI, P.E.  
SENIOR GEOTECHNICAL ENGINEER  
FLORIDA REGISTRATION No. 59345

Craig Smith  
CRAIG SMITH, PRESIDENT

THE INTENT OF THIS REPORT IS NOT FOR ENVIRONMENTAL PURPOSES UNLESS SPECIFIED. AUTHORIZATION FOR PUBLICATION OF STATEMENTS, CONCLUSIONS, CERTIFICATIONS OR EXTRACTS REGARDING THIS OR ANY OTHER TEST REPORT BY THIS FIRM, (ETE) IS STRICTLY PROHIBITED UNLESS WRITTEN AUTHORIZATION IS PROVIDED AND APPROVED BY EASTCOAST TESTING & ENGINEERING, INC.

THRESHOLD/SPECIAL INSPECTIONS, BORINGS, DENSITY, CONCRETE, ASPHALT, ETC, A "GEOTECHNICAL TESTING LAB"



**EASTCOAST TESTING & ENGINEERING, INC.**

4100 North Powerline Rd. - Suite G-1  
Pompano Beach, Florida 33073

4361 Okeechobee Blvd. - Suite A-5  
West Palm Beach, Florida 33409  
(954) 972-"SOIL"

Broward (954) 972-7645 (SOIL) - Dade (954) 972-7645

FACSIMILE #954-971-8872

ESTABLISHED 1981

ETE@BELLSOUTH.NET

**TEST BORING REPORT**

LABORATORY NUMBER: <b>7170630-E</b>	BORING NUMBER: <b>5</b>
CLIENT: <b>COMMUNITY SERVICES - TOWN OF SW RANCHES</b>	CUSTOMER #
PROJECT: <b>PROPOSED FUTURE DEVELOPMENT / DRAINAGE PROJECT</b>	CREW CHIEF: <b>H.E.</b>
PROJECT ADDRESS: <b>CALUSA CORNERS PARK - 4701 HAWKES BLUFF AVE. - SW RANCHES, FL</b>	DRILLER: <b>K.V.</b>
BORING LOCATION: <b>TEST BORING #5 - AS SHOWN ON SURVEY, (ATTACHED)</b>	DRILL RIG # <b>F350</b>
GROUND WATER: <b>3'8"</b> DATE: <b>04/19/17</b> ELEV: <b>N/F</b>	CASING: <b>3"</b>

SURVEY NOT GIVEN UNLESS NOTED: (B.E.G.) BELOW EXISTING GRADE- LOCATIONS APPROX. UNLESS STAKED

DEPTH FEET	SAMPLE NUMBER	BORING NUMBER: <b>5</b>	PAGE NUMBER: <b>01/01</b>	N VALUES	SPT BLOWS PER 6"
1	1	VISUAL SOIL CLASSIFICATION/AASHTO M145/ASTMD2487			
		DARK BROWN ORGANIC SILT WITH ROOT, (OL) - "TOPSOIL"		4	1 2
2			0.0"-1.5'		2 3
3	2	DARK BROWN SILTY CLAYEY LIMESTONE FRAGMENTS LITTLE ROOT, (GM-GC)		37	8 15
4			2.0-4.0'		22 22
5	3	TAN LIMESTONE FRAGMENTS LITTLE CALCAREOUS SILTY SAND, (GM)		52	51 42
6			4.0-7.5'		10 25
7				117+	28 47
8					
9					
10					
11					
12					
13		BOTTOM OF BORING @ 7.5 FEET, (REFUSAL)			
14					
15					
16					

STANDARD PENETRATION TEST BORING:

BLOWS PER FOOT ON 2" O.D. SAMPLER WITH A 140 LB. HAMMER FALLING 30"

SOIL INVESTIGATION & SAMPLING BY AUGER BORINGS: A.S.T.M. D 1452/STANDARD PENETRATION TEST: ASTM D1586. THE SAMPLES COLLECTED CONSTITUTE A MINUTE PERCENTAGE OF THE SUBSOILS AT THE SITE. AS A MUTUAL PROTECTION THE SOILS WILL BE STORED IN OUR LABORATORY FACILITIES FOR A MAXIMUM OF THREE (3) MONTHS. THE OWNER, ARCHITECT AND/OR ENGINEER ARE ENCOURAGED TO VISUALLY INSPECT SAMPLES PRIOR TO PURCHASE OF PROPERTY AND DESIGN OF THE STRUCTURE.

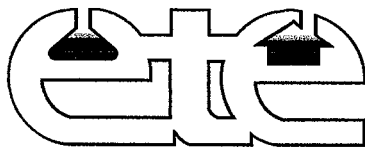
**RESPECTFULLY SUBMITTED,  
EASTCOAST TESTING & ENGINEERING, INC.,  
CERTIFICATE OF AUTHORIZATION #3425**

M. Hai 4/25/2017  
**MOHAMMED A. HAI, P.E.**  
SENIOR GEOTECHNICAL ENGINEER  
FLORIDA REGISTRATION No. 69345

Craig Smith  
**CRAIG SMITH, PRESIDENT**

THE INTENT OF THIS REPORT IS NOT FOR ENVIRONMENTAL PURPOSES UNLESS SPECIFIED. AUTHORIZATION FOR PUBLICATION OF STATEMENTS, CONCLUSIONS, CERTIFICATIONS OR EXTRACTS REGARDING THIS OR ANY OTHER TEST REPORT BY THIS FIRM, (ETE) IS STRICTLY PROHIBITED UNLESS WRITTEN AUTHORIZATION IS PROVIDED AND APPROVED BY EASTCOAST TESTING & ENGINEERING, INC.

**THRESHOLD/SPECIAL INSPECTIONS, BORINGS, DENSITY, CONCRETE, ASPHALT, ETC, A "GEOTECHNICAL TESTING LAB"**



**EASTCOAST TESTING & ENGINEERING, INC.**

4100 North Powerline Rd. - Suite G-1  
Pompano Beach, Florida 33073

4361 Okeechobee Blvd. - Suite A-5  
West Palm Beach, Florida 33409  
(954) 972-"SOIL"

Broward (954) 972-7645 (SOIL) - Dade (954) 972-7645

FACSIMILE #954-971-8872

ESTABLISHED 1981

ETE@BELLSOUTH.NET

**TEST BORING REPORT**

LABORATORY NUMBER:	<b>7170630-F</b>	BORING NUMBER:	<b>6</b>
CLIENT:	COMMUNITY SERVICES - TOWN OF SW RANCHES	CUSTOMER #	
PROJECT:	PROPOSED FUTURE DEVELOPMENT / DRAINAGE PROJECT	CREW CHIEF:	<b>H.E.</b>
PROJECT ADDRESS:	CALUSA CORNERS PARK - 4701 HAWKES BLUFF AVE. - SW RANCHES, FL	DRILLER:	<b>K.V.</b>
BORING LOCATION:	TEST BORING #6 - AS SHOWN ON SURVEY, (ATTACHED)	DRILL RIG #	<b>F350</b>
GROUND WATER:	3'6" DATE: 04/19/17 ELEV: N/F	CASING:	3"

SURVEY NOT GIVEN UNLESS NOTED: (B.E.G.) BELOW EXISTING GRADE- LOCATIONS APPROX. UNLESS STAKED

DEPTH FEET	SAMPLE NUMBER	BORING NUMBER: 6 PAGE NUMBER: 01/01 VISUAL SOIL CLASSIFICATION/AASHTO M145/ASTMD2487	DEPTH	N VALUES	SPT BLOWS PER 6"	
1	1	DARK BROWN ORGANIC SILT WITH ROOT, (OL) - "TOPSOIL"	0.0"-1.5'	7	4	3
2					4	7
3	2	LIGHT BROWN SILTY LIMESTONE FRAGMENTS, (GM)	2.0-3.0'	84	20	36
4	3	TAN LIMESTONE FRAGMENTS LITTLE CALCAREOUS SILTY SAND, (GP)	3.0-5.5'		48	35
5				122+	47	52
6					70+	25
7						
8						
9						
10						
11						
12						
13						
14						
15						
16						


BOTTOM OF BORING @ 5.5 FEET, (REFUSAL)

STANDARD PENETRATION TEST BORING:

BLOWS PER FOOT ON 2" O.D. SAMPLER WITH A 140 LB. HAMMER FALLING 30"

SOIL INVESTIGATION & SAMPLING BY AUGER BORINGS: A.S.T.M. D 1452/STANDARD PENETRATION TEST:ASTM D1586. THE SAMPLES COLLECTED CONSTITUTE A MINUTE PERCENTAGE OF THE SUBSOILS AT THE SITE. AS A MUTUAL PROTECTION THE SOILS WILL BE STORED IN OUR LABORATORY FACILITIES FOR A MAXIMUM OF THREE (3) MONTHS.THE OWNER, ARCHITECT AND/OR ENGINEER ARE ENCOURAGED TO VISUALLY INSPECT SAMPLES PRIOR TO PURCHASE OF PROPERTY AND DESIGN OF THE STRUCTURE.

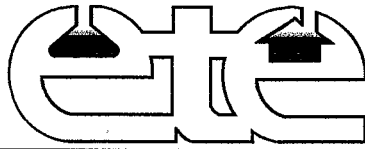
**RESPECTFULLY SUBMITTED,  
EASTCOAST TESTING & ENGINEERING, INC.,  
CERTIFICATE OF AUTHORIZATION #3425**

 4/25/2017  
**MOHAMMED A. HAI, P.E.**  
SENIOR GEOTECHNICAL ENGINEER  
FLORIDA REGISTRATION No. 59345

  
**CRAIG SMITH, PRESIDENT**

THE INTENT OF THIS REPORT IS NOT FOR ENVIRONMENTAL PURPOSES UNLESS SPECIFIED. AUTHORIZATION FOR PUBLICATION OF STATEMENTS, CONCLUSIONS, CERTIFICATIONS OR EXTRACTS REGARDING THIS OR ANY OTHER TEST REPORT BY THIS FIRM, (ETE) IS STRICTLY PROHIBITED UNLESS WRITTEN AUTHORIZATION IS PROVIDED AND APPROVED BY EASTCOAST TESTING & ENGINEERING, INC.

**THRESHOLD/SPECIAL INSPECTIONS, BORINGS, DENSITY, CONCRETE, ASPHALT, ETC, A "GEOTECHNICAL TESTING LAB"**



**EASTCOAST TESTING & ENGINEERING, INC.**

4100 North Powerline Rd. - Suite G-1  
Pompano Beach, Florida 33073

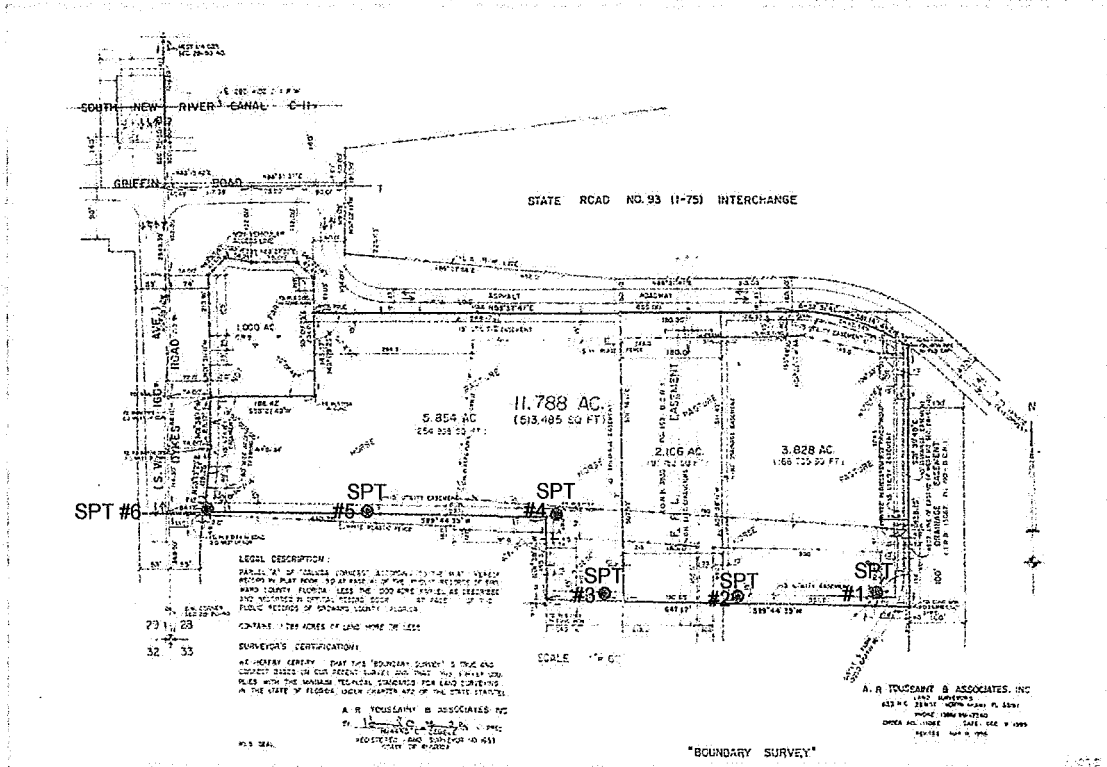
Broward (954) 972-7645 (SOIL) - Dade (954) 972-7645

4361 Okeechobee Blvd. - Suite A-5  
West Palm Beach, Florida 33409  
(954) 972-"SOIL"

FACSIMILE #954-971-8872

ESTABLISHED 1981

ETE@BELLSOUTH.NET



● Soil Boring Locations

STANDARD PENETRATION TEST, (BORINGS): SPT: NTS

**THRESHOLD/SPECIAL INSPECTIONS, BORINGS, DENSITY, CONCRETE, ASPHALT, ETC, A "GEOTECHNICAL TESTING LAB"**



**EASTCOAST TESTING & ENGINEERING, INC.**

4100 North Powerline Rd. - Suite G-1  
Pompano Beach, Florida 33073

4361 Okeechobee Blvd. - Suite A-5  
West Palm Beach, Florida 33409  
(954) 972-"SOIL"

Broward (954) 972-7645 (SOIL) - Dade (954) 972-7645

FACSIMILE #954-971-8872

ESTABLISHED 1981

ETE@BELLSOUTH.NET

**SITE LOCATION MAP**



TOWN OF SOUTHWEST RANCHES  
CALUSA CORNERS PARK  
4701 HAWKES BLUFF AVENUE  
PROPOSED DEVELOPMENTS / DRAINAGE

**THRESHOLD/SPECIAL INSPECTIONS, BORINGS, DENSITY, CONCRETE, ASPHALT, ETC, A "GEOTECHNICAL TESTING LAB"**